



(12) **United States Design Patent**
Li

(10) **Patent No.:** **US D928,165 S**
(45) **Date of Patent:** **** Aug. 17, 2021**

(54) **CASE FOR PORTABLE COMPUTER**

(71) Applicant: **Huaiwen Li**, Guangdong (CN)

(72) Inventor: **Huaiwen Li**, Guangdong (CN)

(**) Term: **15 Years**

(21) Appl. No.: **29/719,212**

(22) Filed: **Jan. 2, 2020**

(51) **LOC (13) Cl.** **14-02**

(52) **U.S. Cl.**
USPC **D14/440**

(58) **Field of Classification Search**
USPC D14/440, 447, 250; 206/45.23, 320,
206/45.2; 361/679.55; 294/25; 224/218
CPC ... G06F 1/1628; G06F 1/1626; A47B 23/044;
H04B 1/3888
See application file for complete search history.

(56) **References Cited**

U.S. PATENT DOCUMENTS

4,259,568	A *	3/1981	Dynesen	G06F 15/0216 206/305
5,375,076	A *	12/1994	Goodrich	G06F 1/1626 361/679.17
5,383,138	A *	1/1995	Motoyama	E05C 1/16 361/679.27
7,042,712	B2 *	5/2006	Ghosh	G06F 1/1605 206/320
7,318,521	B2 *	1/2008	Lau	A45C 11/00 206/320
7,502,225	B2 *	3/2009	Solomon	G06F 1/1632 361/679.41
D620,001	S *	7/2010	Reed	D14/315

(Continued)

Primary Examiner — Cynthia R Underwood

(57) **CLAIM**

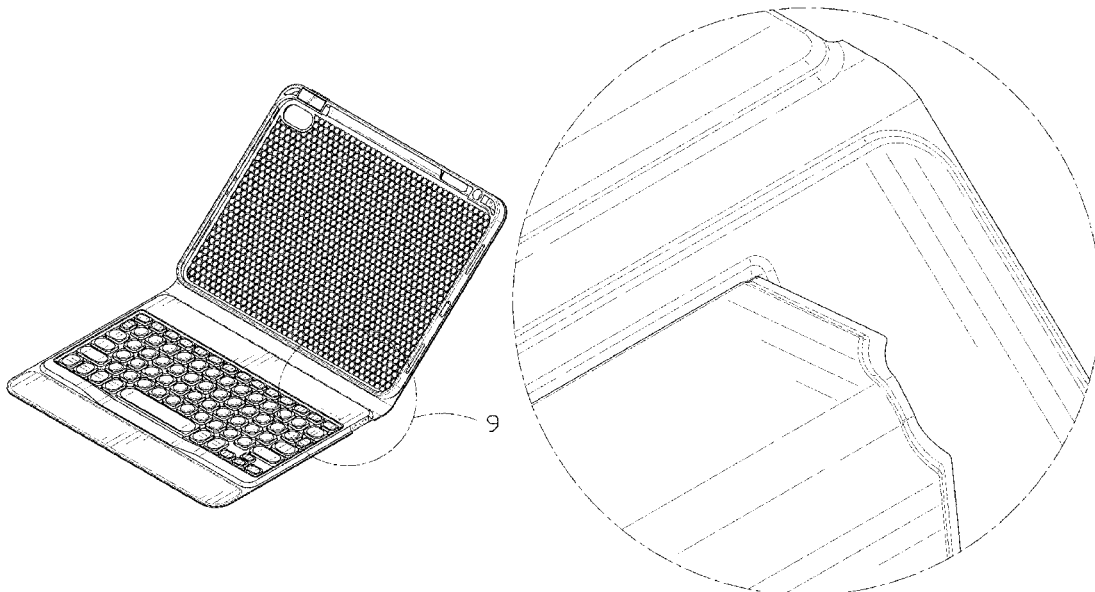
The ornamental design for a case for portable computer, as shown and described.

DESCRIPTION

FIG. 1 is a front and top perspective view of a first embodiment of a case for portable computer, showing my new design;
 FIG. 2 is a rear and bottom perspective view thereof;
 FIG. 3 is a front elevational view thereof;
 FIG. 4 is a rear elevational view thereof;
 FIG. 5 is a left side elevational view thereof;
 FIG. 6 is a right side elevational view thereof;
 FIG. 7 is a top plan view thereof;
 FIG. 8 is a bottom plan view thereof;
 FIG. 9 is an enlarged view of a portion indicated in FIG. 1;
 FIG. 10 is an enlarged view of a portion indicated in FIG. 2;
 FIG. 11 is a perspective view thereof, showing the case for portable computer in a closed position;
 FIG. 12 is a front and top perspective view of a second embodiment of the case for portable computer;
 FIG. 13 is a rear and bottom perspective view thereof;
 FIG. 14 is a front view thereof;
 FIG. 15 is a back view thereof;
 FIG. 16 is a left side view thereof;
 FIG. 17 is a right side view thereof;
 FIG. 18 is a top view thereof; and
 FIG. 19 is a bottom view thereof;
 FIG. 20 is an enlarged view of a portion indicated in FIG. 11;
 FIG. 21 is an enlarged view of a portion indicated in FIG. 12; and
 FIG. 22 is a perspective view thereof, showing the case for portable computer in a closed position.

The broken lines in the figures illustrate portions of the case for portable computer that form no part of the claimed design. The dash dot dash lines in FIGS. 1, 2, 9, 10, 11, 12, 19 and 20 are for the purpose of depicting the cut line of the enlarged view and form no part of the claim.

1 Claim, 22 Drawing Sheets



(56)

References Cited

U.S. PATENT DOCUMENTS

8,139,357 B2 *	3/2012	Trang	G06F 1/203	361/679.59	2009/0017883 A1 *	1/2009	Lin	H04M 1/026	455/575.8
D659,139 S *	5/2012	Gengler	D14/392		2010/0294909 A1 *	11/2010	Hauser	B42D 9/00	248/456
D724,093 S *	3/2015	Dong	D14/440		2012/0140396 A1 *	6/2012	Zeliff	G06F 1/1632	361/679.09
D737,276 S *	8/2015	Armstrong	D14/440		2012/0194448 A1 *	8/2012	Rothkopf	B60R 11/0252	345/173
9,227,763 B2 *	1/2016	Gengler	G06F 1/16		2014/0139989 A1 *	5/2014	Mori	G06F 1/1626	361/679.09
D753,648 S *	4/2016	Shyu	D14/315		2015/0280768 A1 *	10/2015	Huang	H04M 1/7253	455/575.8
D772,880 S *	11/2016	Corcoran	D14/440		2015/0296060 A1 *	10/2015	Gu	G06F 1/162	455/575.4
9,489,054 B1 *	11/2016	Sumsion	G06F 1/1681		2016/0349794 A1 *	12/2016	Yeh	G06F 3/0426	
D801,976 S *	11/2017	Li	D14/440							
D808,395 S *	1/2018	Fenton	D14/440							
D868,071 S *	11/2019	Liu	D14/440							
D872,093 S *	1/2020	Xu	D14/440							
D888,719 S *	6/2020	Moore	D14/440							
D892,128 S *	8/2020	Chen	D14/440							
D892,803 S *	8/2020	Armstrong	D14/440							
D898,747 S *	10/2020	Deng	D14/440							

* cited by examiner

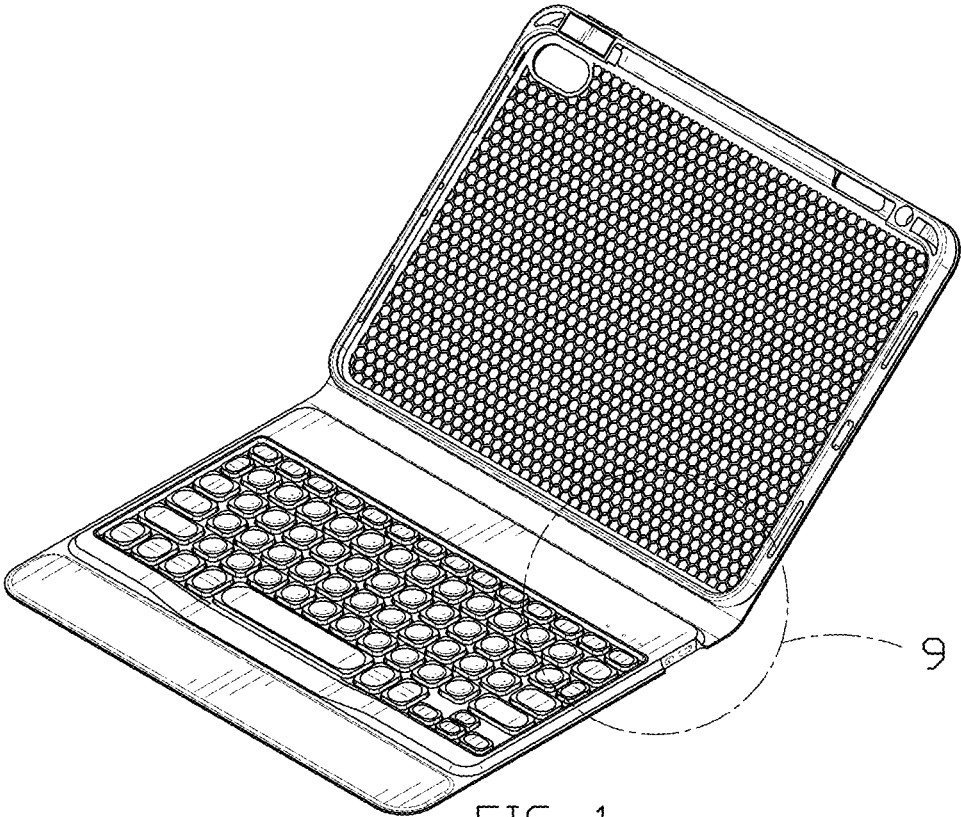


FIG. 1

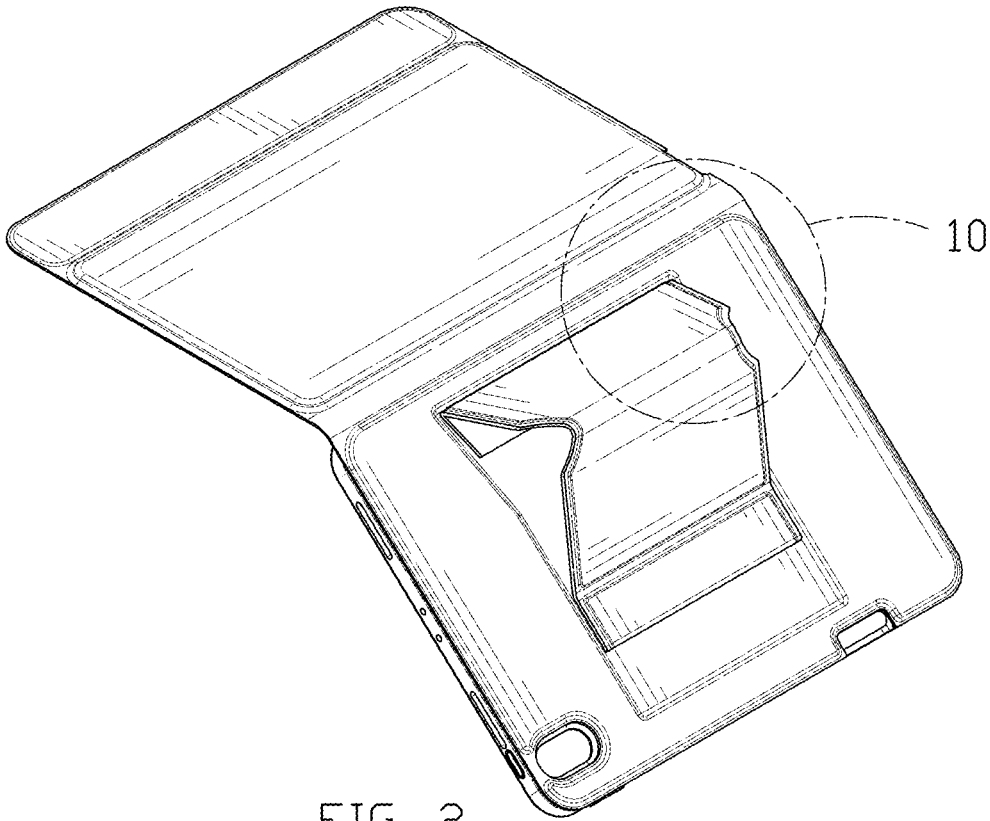


FIG. 2

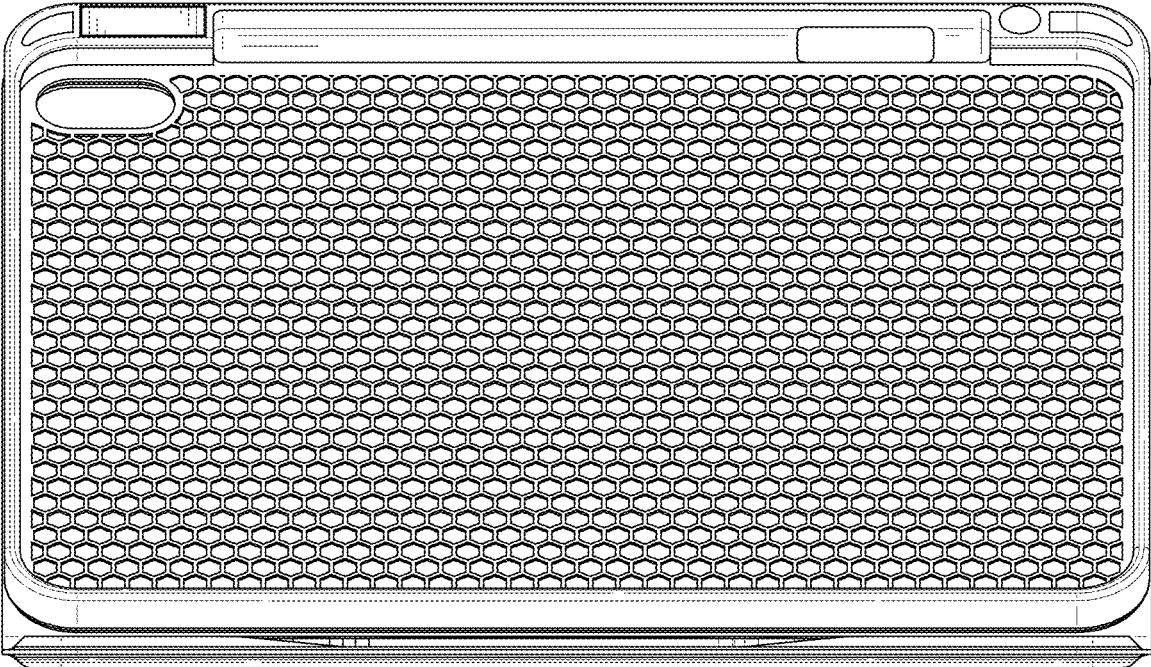


FIG. 3

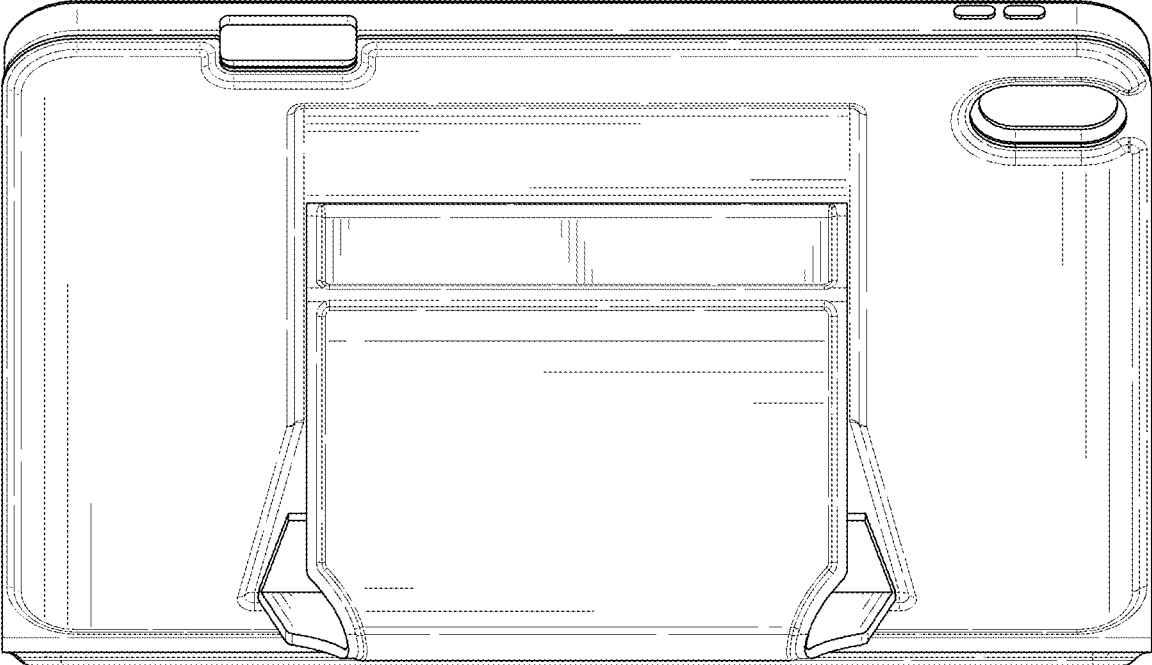


FIG. 4

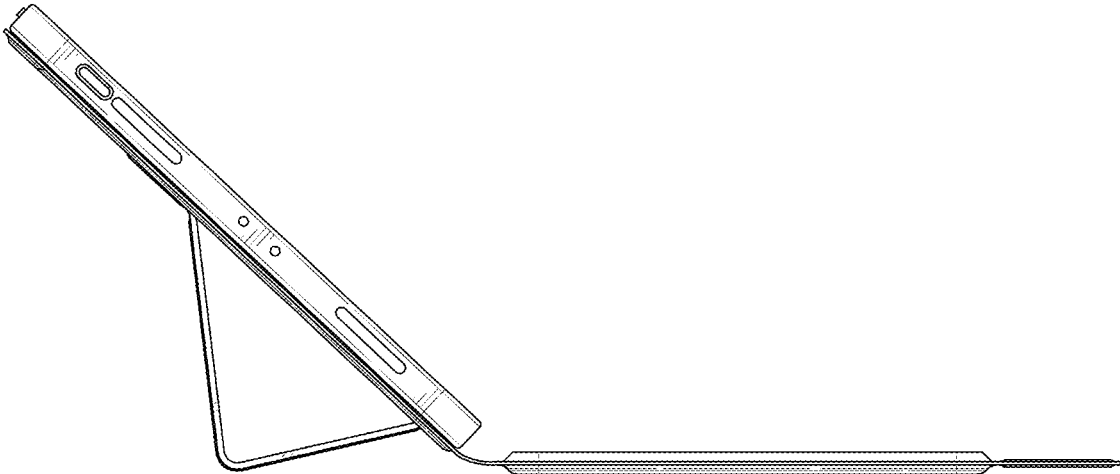


FIG. 5

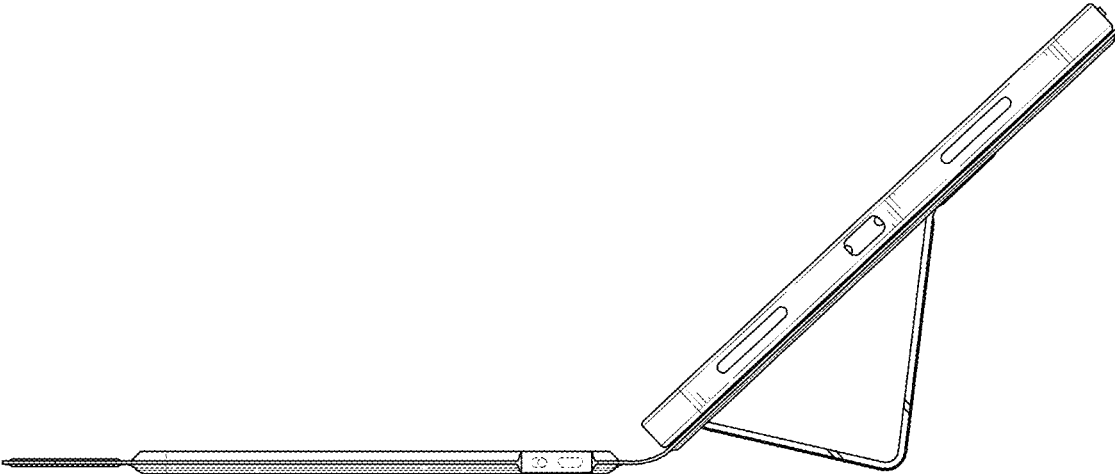


FIG. 6

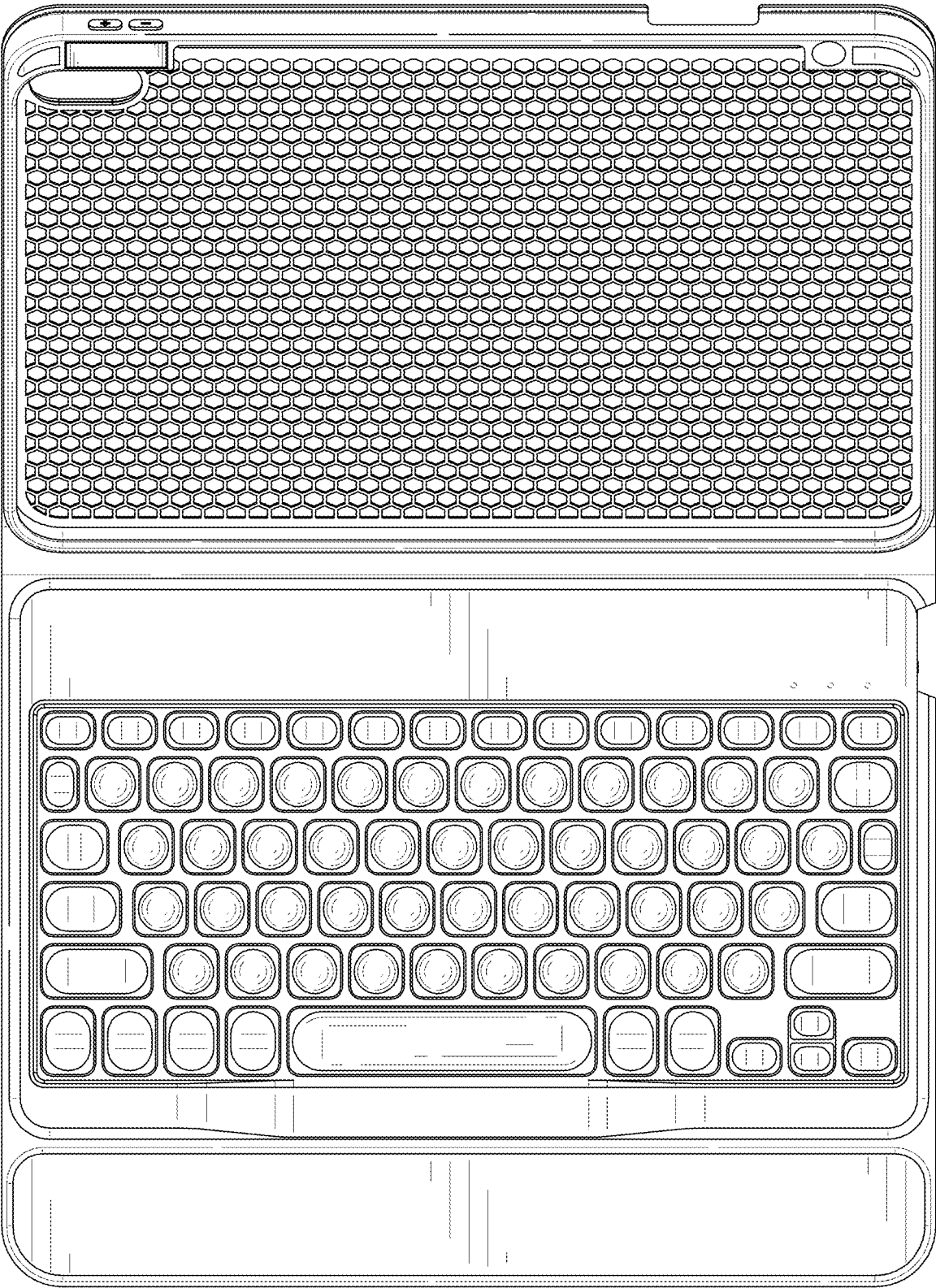


FIG. 7

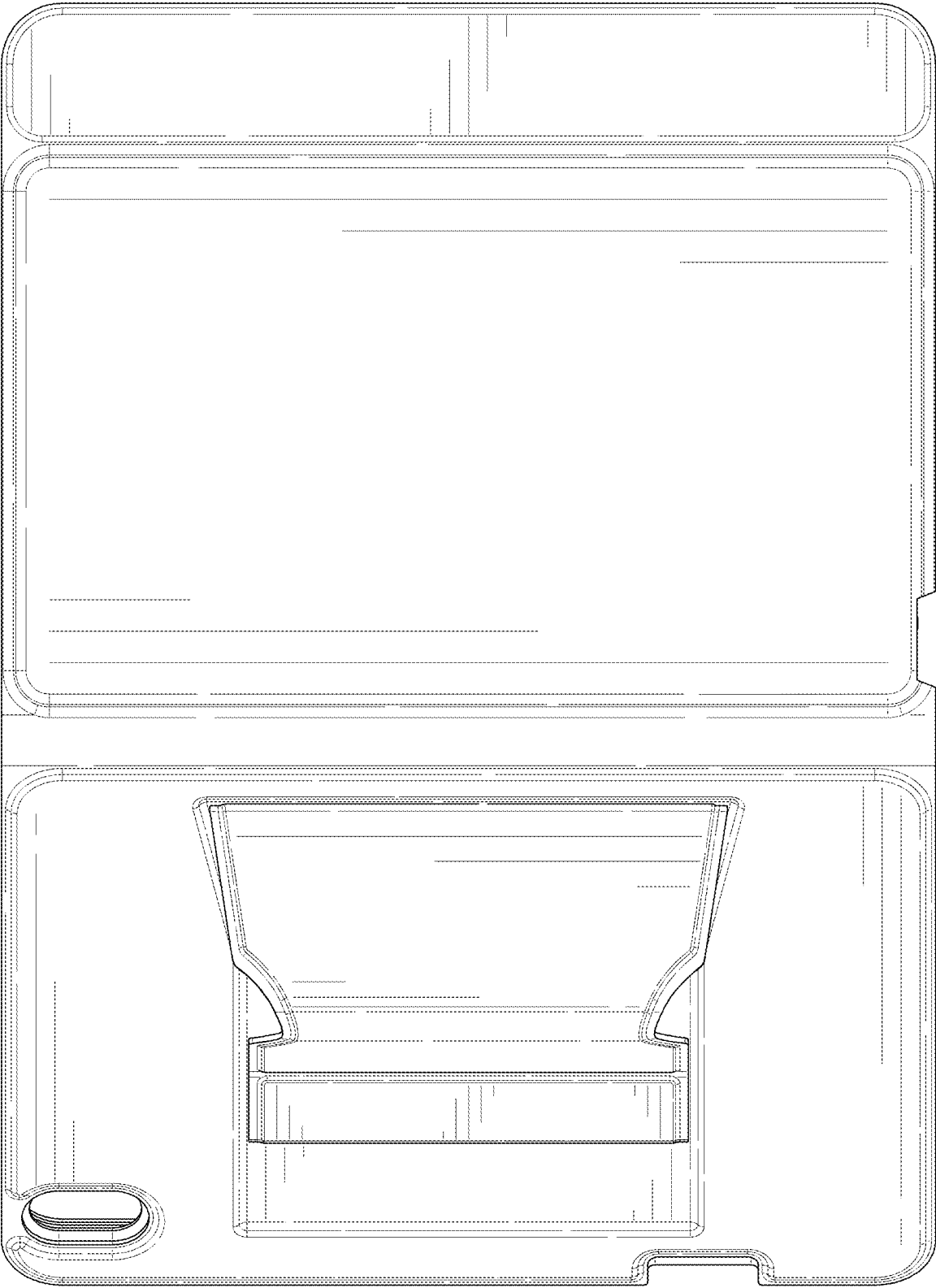


FIG. 8

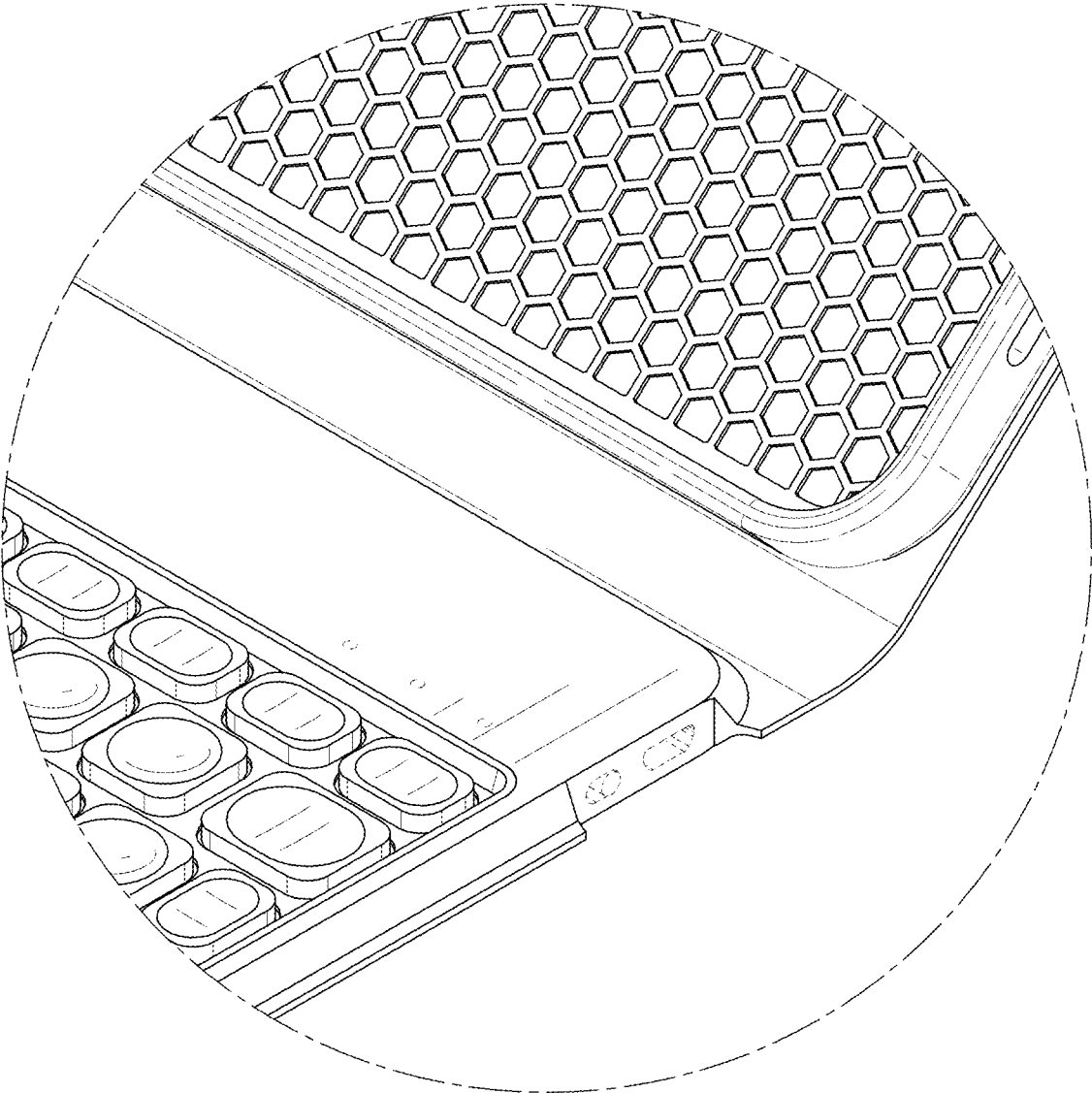


FIG. 9

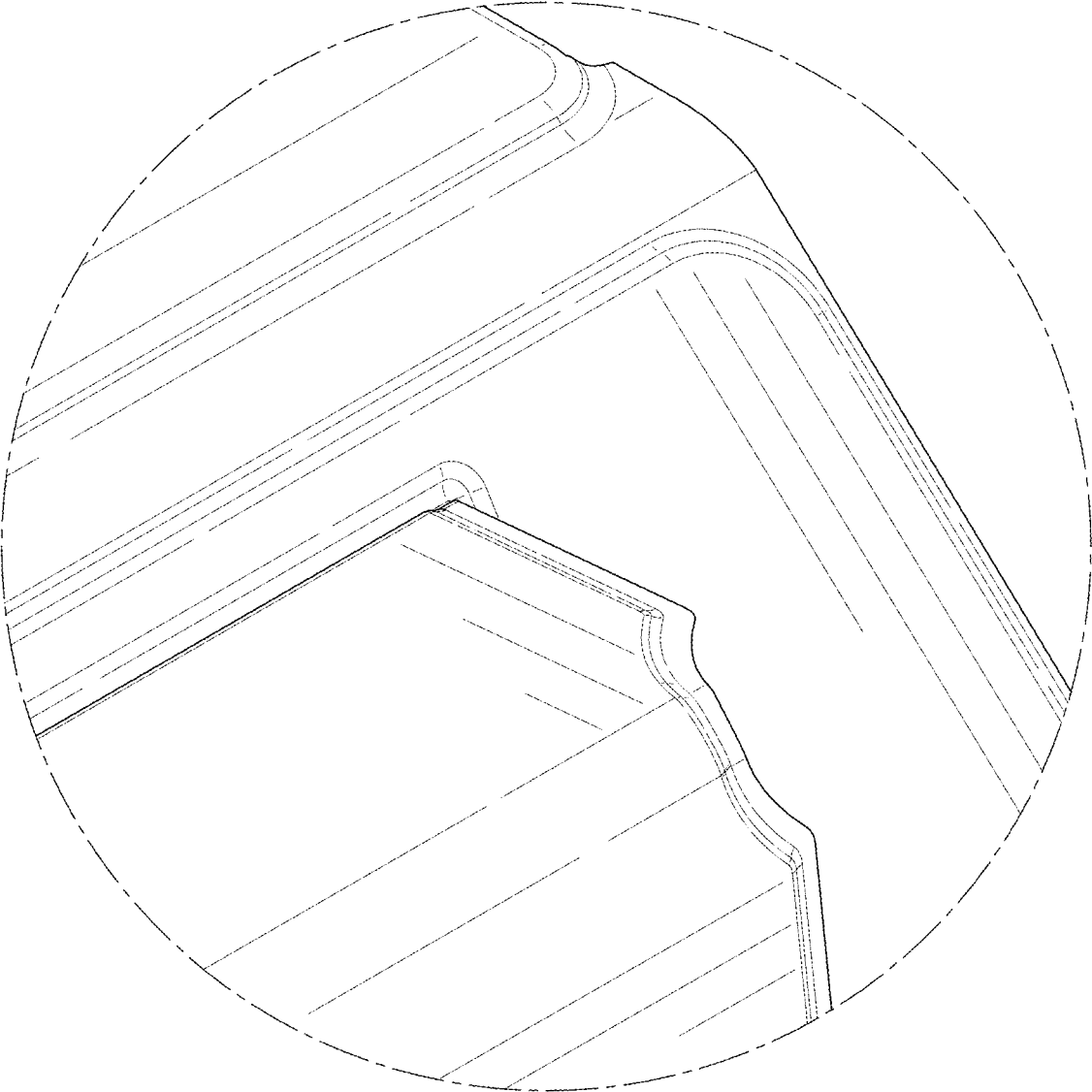


FIG. 10

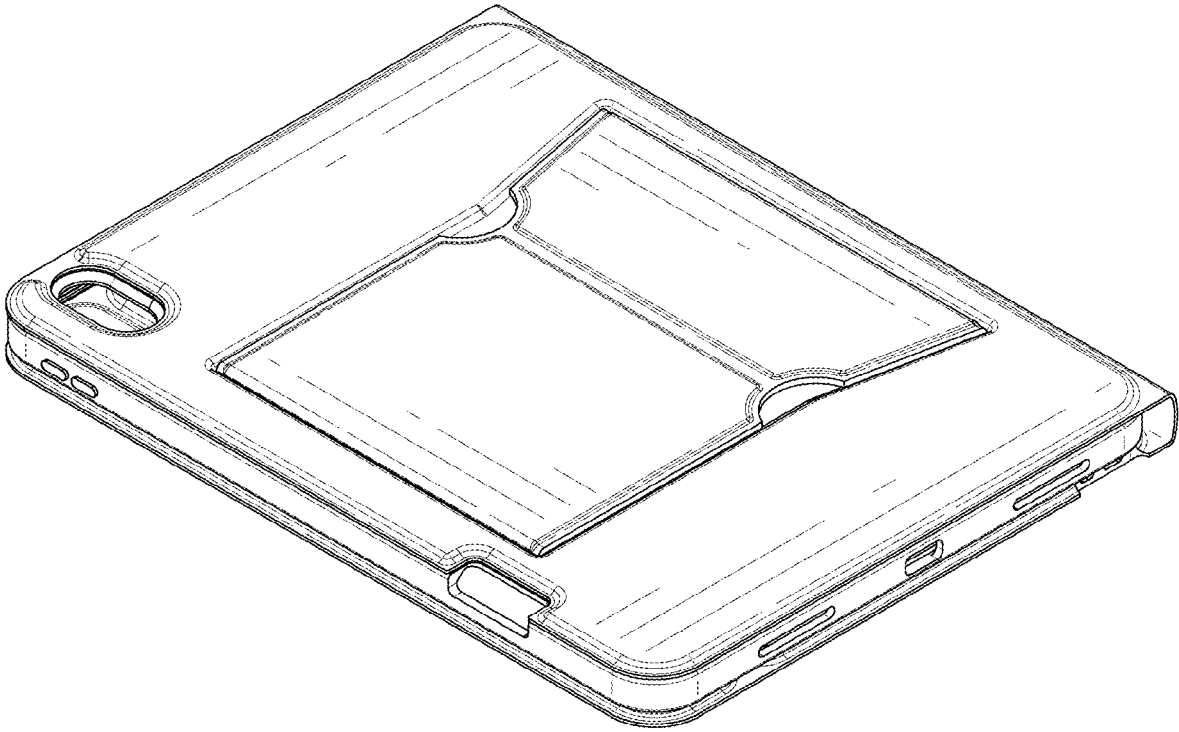


FIG. 11

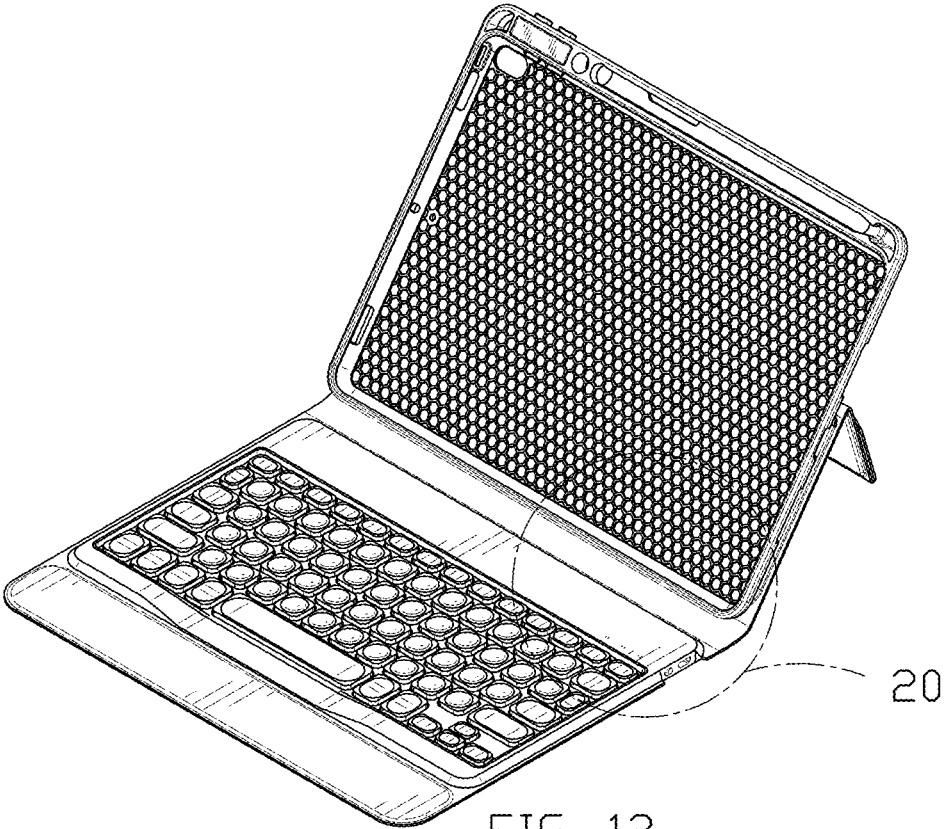


FIG. 12

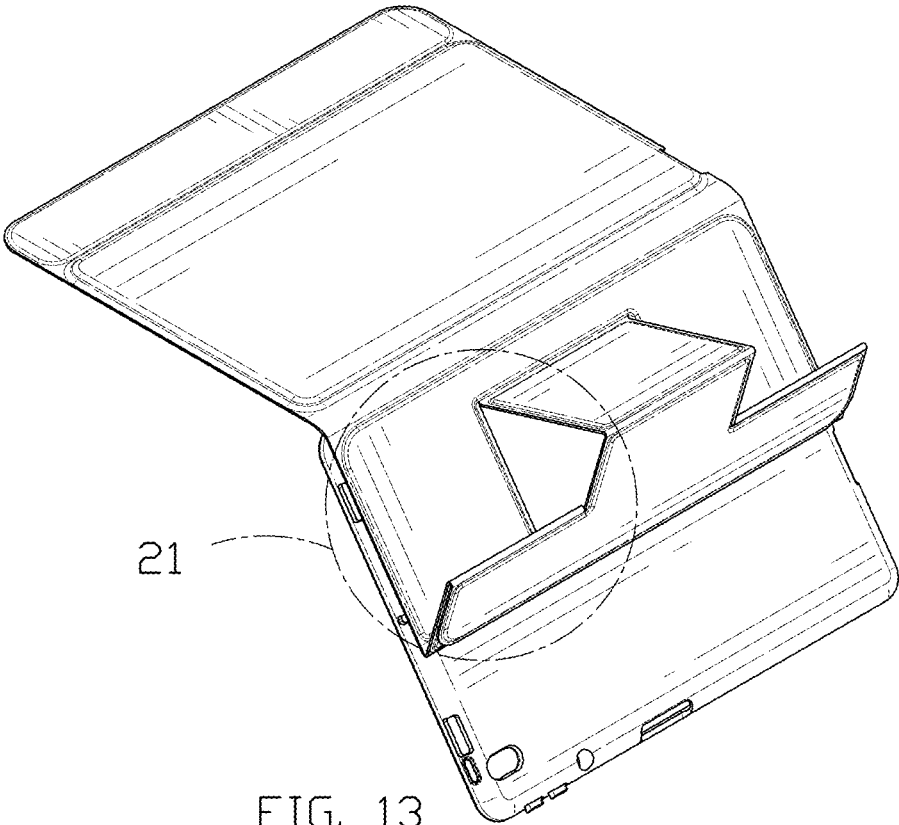


FIG. 13

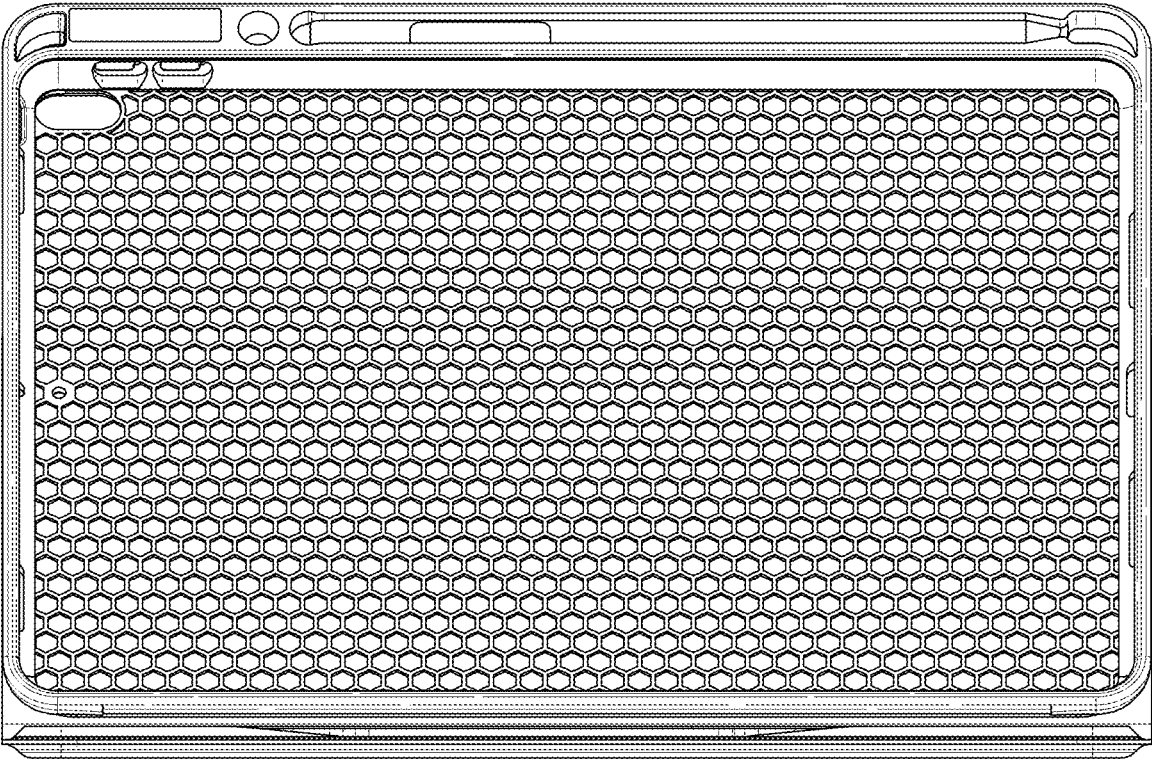


FIG. 14

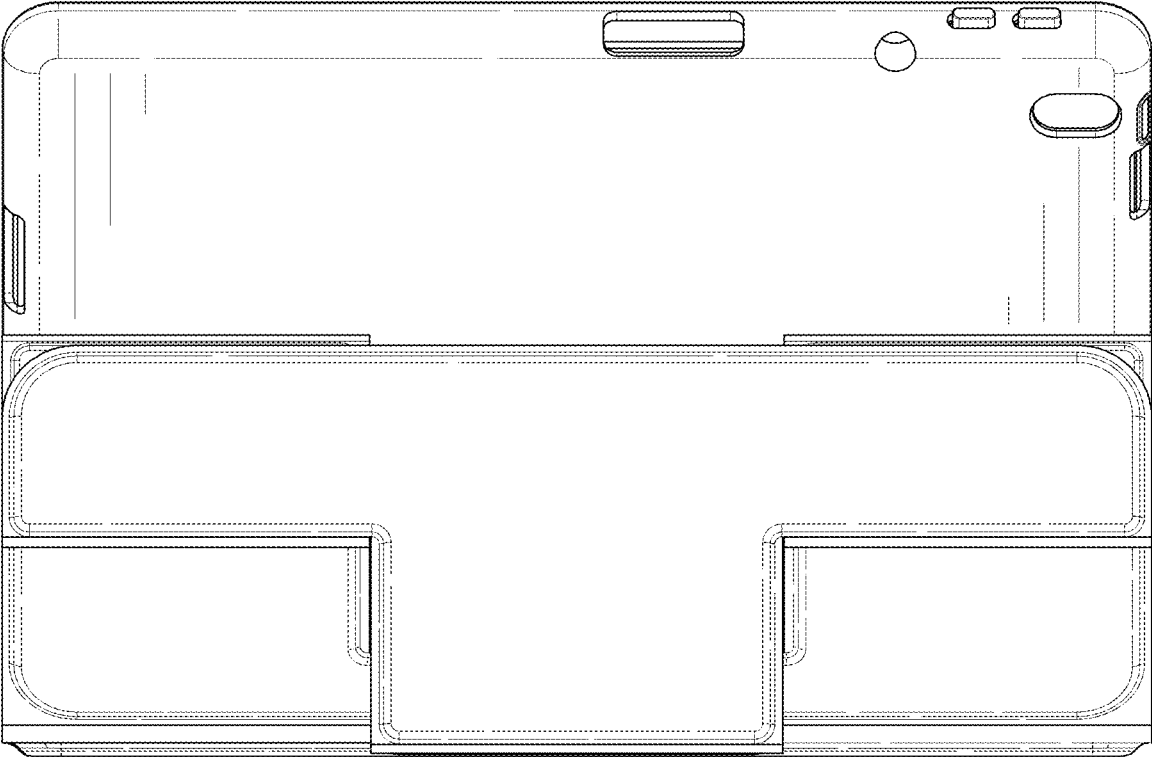


FIG. 15

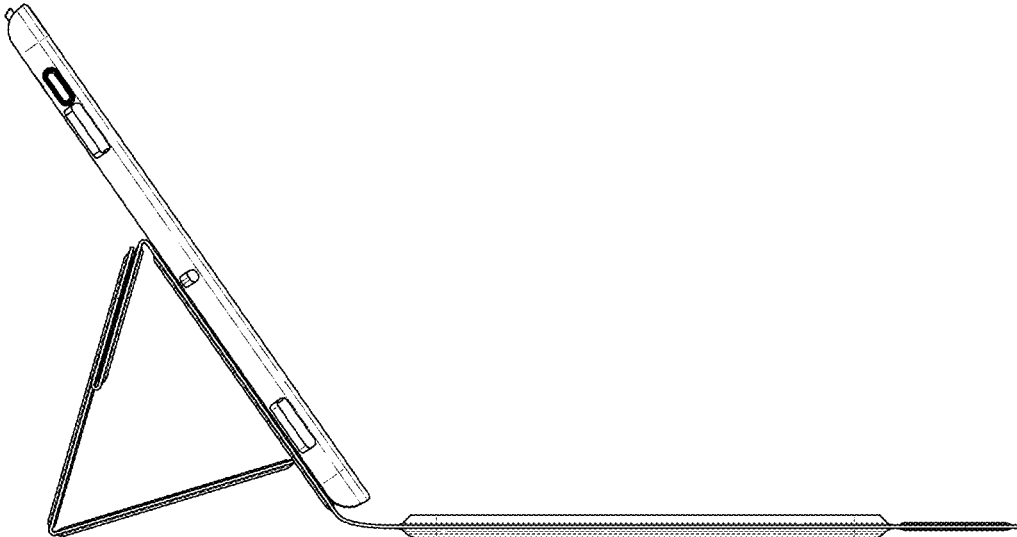


FIG. 16

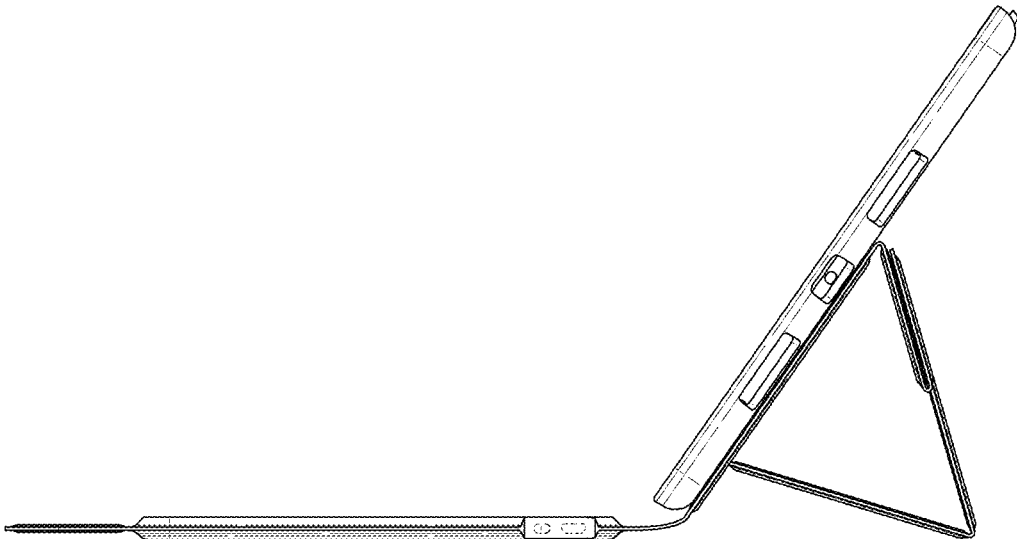


FIG. 17

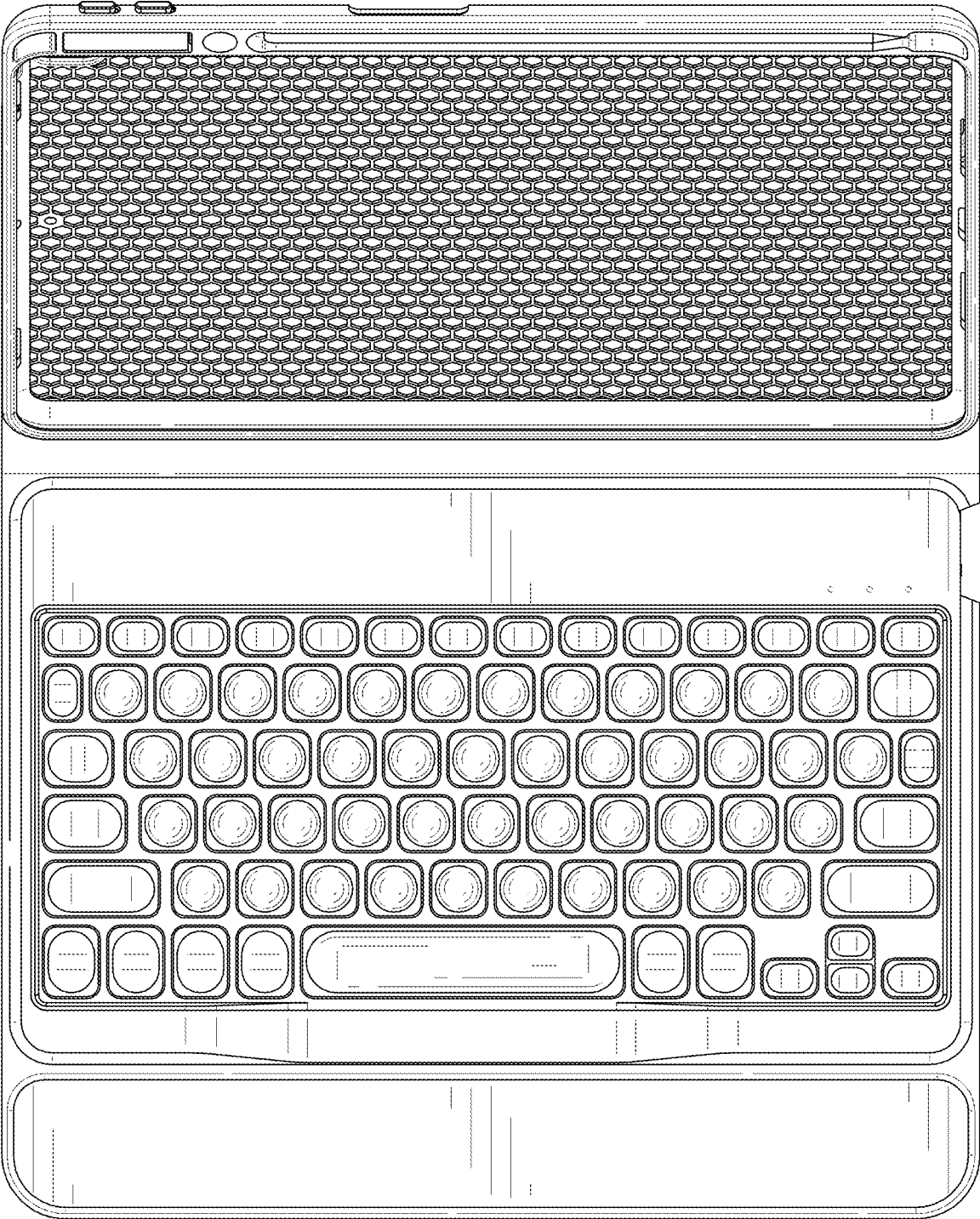


FIG. 18

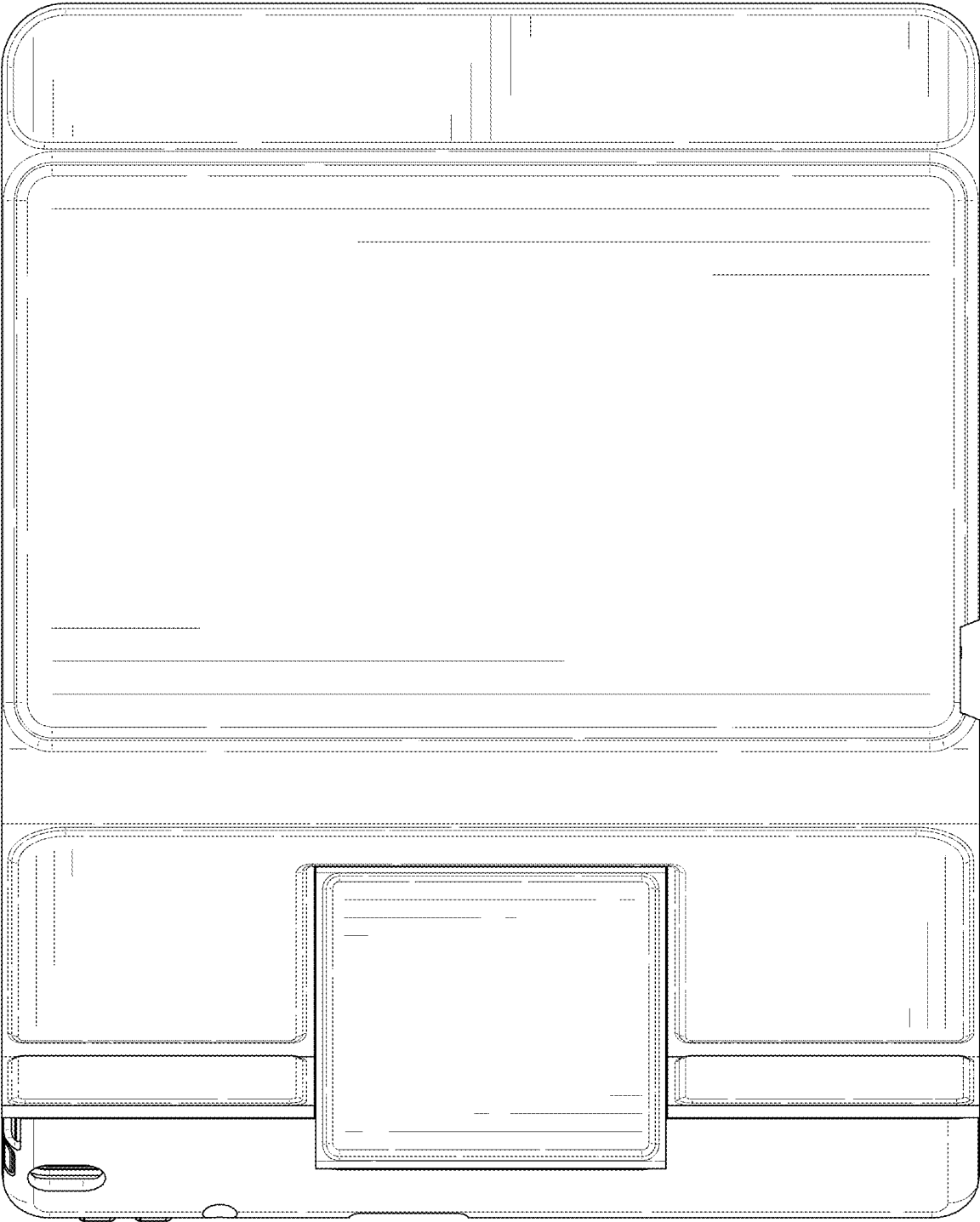


FIG. 19

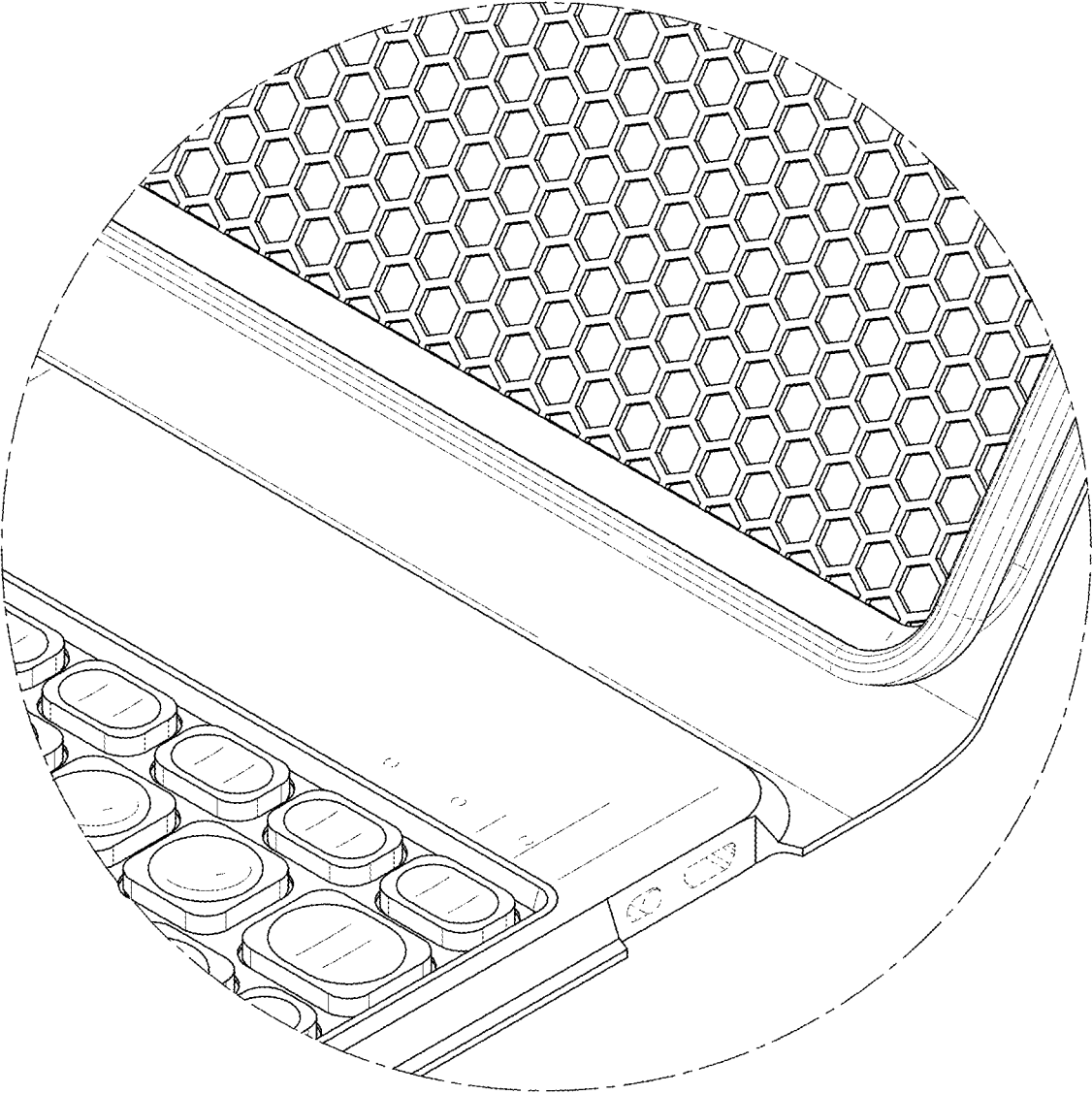


FIG. 20

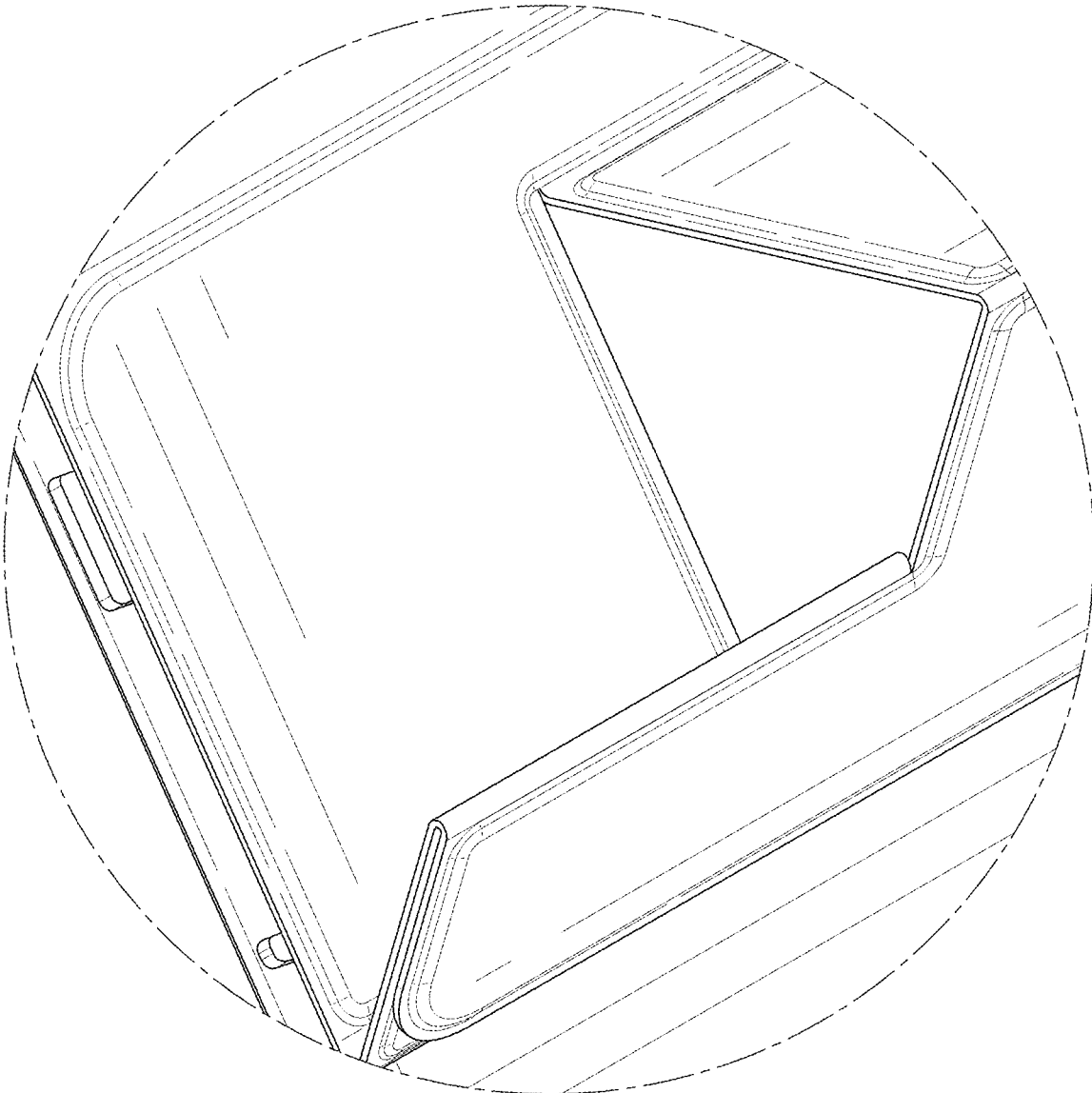


FIG. 21

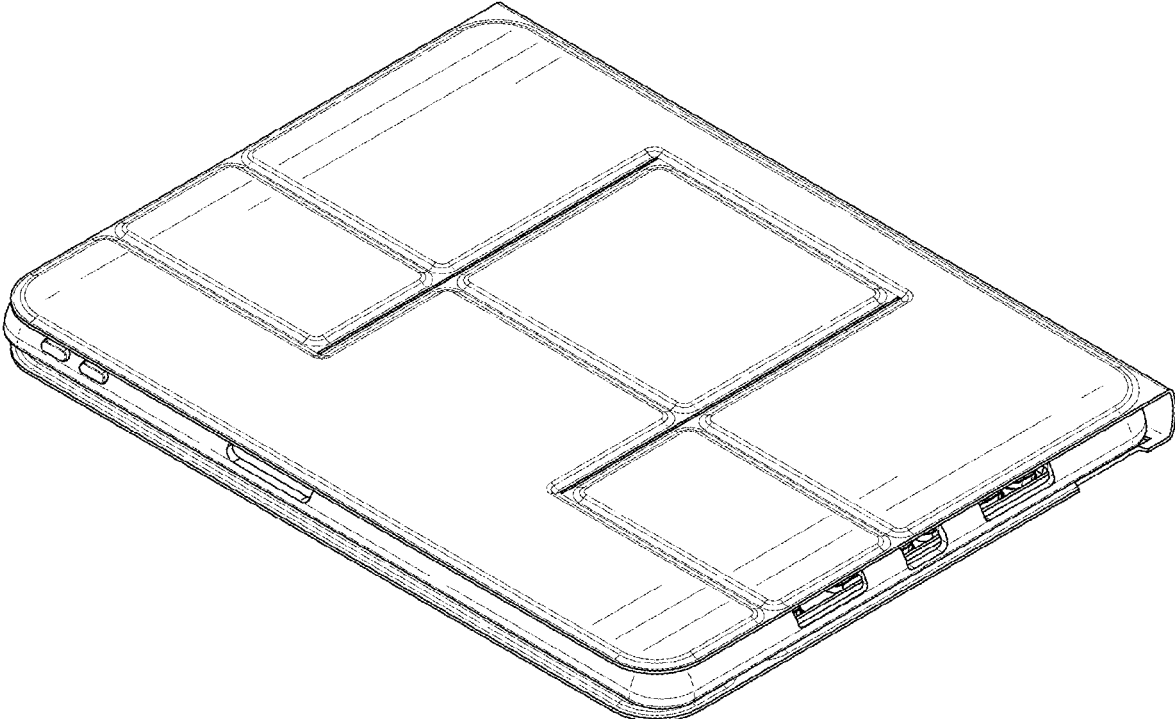


FIG. 22