

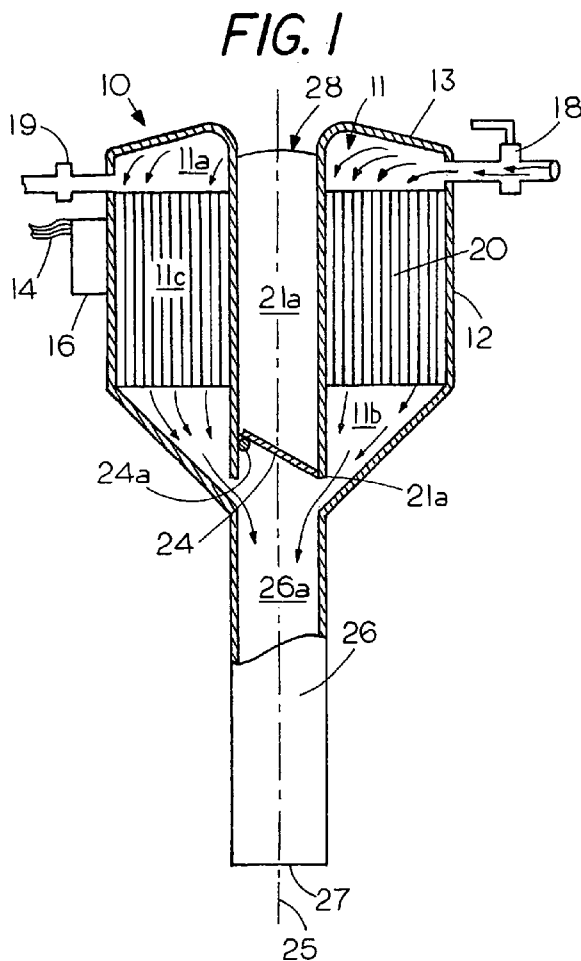


- (51) International Patent Classification:
A61M 16/00 (2006.01) A61M 25/01 (2006.01)
A61B 17/34 (2006.01)
- (21) International Application Number:
PCT/US2010/000337
- (22) International Filing Date:
5 February 2010 (05.02.2010)
- (25) Filing Language: English
- (26) Publication Language: English
- (30) Priority Data:
12/381,978 18 March 2009 (18.03.2009) US
- (71) Applicant (for all designated States except US): LEXICON MEDICAL LLC [US/US]; 5000 Township Parkway, St. Paul, MN 55101 (US).
- (72) Inventors; and
(75) Inventors/Applicants (for US only): OTT, Douglas E. [US/US]; 682 Foster Road, Macon, GA 31210 (US). LLOYD, Duane [US/US]; 27 Meadow Court, Glasgow, MT 59230 (US).
- (74) Agent: JOHNSON, Carl L.; Suite 285, One West Water Street, St. Paul, MN 55107-2080 (US).
- (81) Designated States (unless otherwise indicated, for every kind of national protection available): AE, AG, AL, AM, AO, AT, AU, AZ, BA, BB, BG, BH, BR, BW, BY, BZ, CA, CH, CL, CN, CO, CR, CU, CZ, DE, DK, DM, DO, DZ, EC, EE, EG, ES, FI, GB, GD, GE, GH, GM, GT,

[Continued on next page]

(54) Title: GAS CONDITIONING TROCAR

(57) Abstract: A gas conditioning trocar having a chamber for heating and hydrating an unconditioned insufflation gas prior to injecting a conditioned insufflation gas into a body cavity during a medical procedure and a port through which surgical instruments can pass into a body cavity without inhibiting the flow of insufflation gas during the medical procedure.



WO 2010/107464 A3



HN, HR, HU, ID, IL, IN, IS, JP, KE, KG, KM, KN, KP, KR, KZ, LA, LC, LK, LR, LS, LT, LU, LY, MA, MD, ME, MG, MK, MN, MW, MX, MY, MZ, NA, NG, NI, NO, NZ, OM, PE, PG, PH, PL, PT, RO, RS, RU, SC, SD, SE, SG, SK, SL, SM, ST, SV, SY, TH, TJ, TM, TN, TR, TT, TZ, UA, UG, US, UZ, VC, VN, ZA, ZM, ZW.

(84) Designated States (unless otherwise indicated, for every kind of regional protection available): ARIPO (BW, GH, GM, KE, LS, MW, MZ, NA, SD, SL, SZ, TZ, UG, ZM, ZW), Eurasian (AM, AZ, BY, KG, KZ, MD, RU, TJ, TM), European (AT, BE, BG, CH, CY, CZ, DE, DK, EE, ES, FI, FR, GB, GR, HR, HU, IE, IS, IT, LT, LU, LV, MC, MK, MT, NL, NO, PL, PT, RO, SE, SI, SK, SM,

TR), OAPI (BF, BJ, CF, CG, CI, CM, GA, GN, GQ, GW, ML, MR, NE, SN, TD, TG).

Published:

- with international search report (Art. 21(3))
- before the expiration of the time limit for amending the claims and to be republished in the event of receipt of amendments (Rule 48.2(h))

(88) Date of publication of the international search report:

4 November 2010

INTERNATIONAL SEARCH REPORT

International application No.
PCT/US2010/000337**A. CLASSIFICATION OF SUBJECT MATTER***A61M 16/00(2006.01)i, A61B 17/34(2006.01)i, A61M 25/01(2006.01)i*

According to International Patent Classification (IPC) or to both national classification and IPC

B. FIELDS SEARCHED

Minimum documentation searched (classification system followed by classification symbols)

A61M 16/00; A61M 31/00; A61M 37/00; A61M 5/178; A61F 712

Documentation searched other than minimum documentation to the extent that such documents are included in the fields searched

Korean utility models and applications for utility models
Japanese utility models and applications for utility models

Electronic data base consulted during the international search (name of data base and, where practicable, search terms used)

eKOMPASS (KIPO internal) "gas conditioning trocar", "heat", "chamber", "cannular", "conditioning media", and similar terms

C. DOCUMENTS CONSIDERED TO BE RELEVANT

Category*	Citation of document, with indication, where appropriate, of the relevant passages	Relevant to claim No.
X	US 05411474 A1 (OTT, D. E. et al.) 02 May 1995 See abstract, claims (1,2), columns (1,3,4), and figures (1,2)	1-11,14-24
Y	US 2007-0088275 A1 (STEARNS, R. et al.) 19 Apr. 2007 See abstract, claims (1,19,21,30-32,47), paragraphs (3,10,11,17,18,89,96,99,104,137), and figures (1,2,4,5,18)	1-11,14-24
Y	US 06814714 B1 (NOVAK, R. et al.) 09 Nov. 2004 See abstract, claims (1,2), columns (1,3,4), and figures (1,2)	1-11,14-24
A	US 2005-0113797 A1 (OTT, D. E. et al.) 26 May 2005 See abstract, claims (1,14,16,20,21,26,27,29-33), paragraphs (4,85,98,103,183), and figures (10,22,30-32)	1-11,14-24

 Further documents are listed in the continuation of Box C. See patent family annex.

* Special categories of cited documents:

"A" document defining the general state of the art which is not considered to be of particular relevance

"E" earlier application or patent but published on or after the international filing date

"L" document which may throw doubts on priority claim(s) or which is cited to establish the publication date of citation or other special reason (as specified)

"O" document referring to an oral disclosure, use, exhibition or other means

"P" document published prior to the international filing date but later than the priority date claimed

"T" later document published after the international filing date or priority date and not in conflict with the application but cited to understand the principle or theory underlying the invention

"X" document of particular relevance; the claimed invention cannot be considered novel or cannot be considered to involve an inventive step when the document is taken alone

"Y" document of particular relevance; the claimed invention cannot be considered to involve an inventive step when the document is combined with one or more other such documents, such combination being obvious to a person skilled in the art

"&" document member of the same patent family

Date of the actual completion of the international search

13 SEPTEMBER 2010 (13.09.2010)

Date of mailing of the international search report

14 SEPTEMBER 2010 (14.09.2010)

Name and mailing address of the ISA/KR

Korean Intellectual Property Office
Government Complex-Daejeon, 139 Seonsa-ro, Seo-gu, Daejeon 302-701, Republic of Korea

Facsimile No. 82-42-472-7140

Authorized officer

HYUN, SEUNG HOON

Telephone No. 82-42-481-8401



INTERNATIONAL SEARCH REPORT

International application No.
PCT/US2010/000337

Box No. II Observations where certain claims were found unsearchable (Continuation of item 2 of first sheet)

This international search report has not been established in respect of certain claims under Article 17(2)(a) for the following reasons:

- 1. Claims Nos.:
because they relate to subject matter not required to be searched by this Authority, namely:

- 2. Claims Nos.:
because they relate to parts of the international application that do not comply with the prescribed requirements to such an extent that no meaningful international search can be carried out, specifically:

- 3. Claims Nos.: 11, 12
because they are dependent claims and are not drafted in accordance with the second and third sentences of Rule 6.4(a).

Box No. III Observations where unity of invention is lacking (Continuation of item 3 of first sheet)

This International Searching Authority found multiple inventions in this international application, as follows:

- 1. As all required additional search fees were timely paid by the applicant, this international search report covers all searchable claims.
- 2. As all searchable claims could be searched without effort justifying an additional fee, this Authority did not invite payment of any additional fee.
- 3. As only some of the required additional search fees were timely paid by the applicant, this international search report covers only those claims for which fees were paid, specifically claims Nos.:

- 4. No required additional search fees were timely paid by the applicant. Consequently, this international search report is restricted to the invention first mentioned in the claims; it is covered by claims Nos.:

- Remark on Protest**
- The additional search fees were accompanied by the applicant's protest and, where applicable, the payment of a protest fee.
 - The additional search fees were accompanied by the applicant's protest but the applicable protest fee was not paid within the time limit specified in the invitation.
 - No protest accompanied the payment of additional search fees.

INTERNATIONAL SEARCH REPORT

Information on patent family members

International application No.

PCT/US2010/000337

Patent document cited in search report	Publication date	Patent family member(s)	Publication date
US 05411474 A1	02.05.1995	None	
US 2007-0088275 A1	19.04.2007	CA 2662417-A1 EP 2059181 A1 EP 2068732 A2 JP 2010-502360 A US 2004-0204671 A1 US 2005-0004512 A1 US 2005-0015043 A1 US 2007-0088274 A1 US 2007-0088276 A1 US 7182752 B2 US 7285112 B2 US 7338473 B2 US 7413559 B2 WO 2008-030256 A1 WO 2008-045316 A2 WO 2008-045316 A3	13.03.2008 20.05.2009 17.06.2009 28.01.2010 14.10.2004 06.01.2005 20.01.2005 19.04.2007 19.04.2007 27.02.2007 23.10.2007 04.03.2008 19.08.2008 13.03.2008 17.04.2008 17.04.2008
US 06814714 B1	09.11.2004	EP 0703795 A1 EP 0703795 A1 EP 0703795 B1 JP 03-643117 B2 JP 08-511959 A US 2004-0153030 A1 US 7429257 B2 WO 94-28952 A1	03.04.1996 22.10.1997 28.03.2001 27.04.2005 17.12.1996 05.08.2004 30.09.2008 22.12.1994
US 2005-0113797 A1	26.05.2005	AU 1999-41889 A1 AU 2000-50281 A1 AU 2000-50281 B2 CA 2333022 C CA 2333022-A1 CA 2370856 C CA 2370856-A1 EP 1087809 A1 EP 1087809 A4 EP 1185329 A1 JP 2003-516772 A US 2005-0107766 A1 US 2005-0107767 A1 US 2005-0113795 A1 US 2006-0052742 A1 US 2006-0184096 A1 US 6068609 A1 US 7066902 B1 US 7250035 B1 US 7449007 B2 US 7455653 B2	06.12.1999 05.12.2000 17.03.2005 05.09.2006 25.11.1999 20.07.2010 23.11.2000 04.04.2001 15.09.2004 13.03.2002 20.05.2003 19.05.2005 19.05.2005 26.05.2005 09.03.2006 17.08.2006 30.05.2000 27.06.2006 31.07.2007 11.11.2008 25.11.2008

INTERNATIONAL SEARCH REPORT

Information on patent family members

International application No.

PCT/US2010/000337

Patent document cited in search report	Publication date	Patent family member(s)	Publication date
		US 7731704 B2	08.06.2010
		US 7744557 B2	29.06.2010
		WO 00-69511 A1	23.11.2000
		WO 99-59661 A1	25.11.1999