

(19) World Intellectual Property Organization
International Bureau



(43) International Publication Date
1 March 2007 (01.03.2007)

PCT

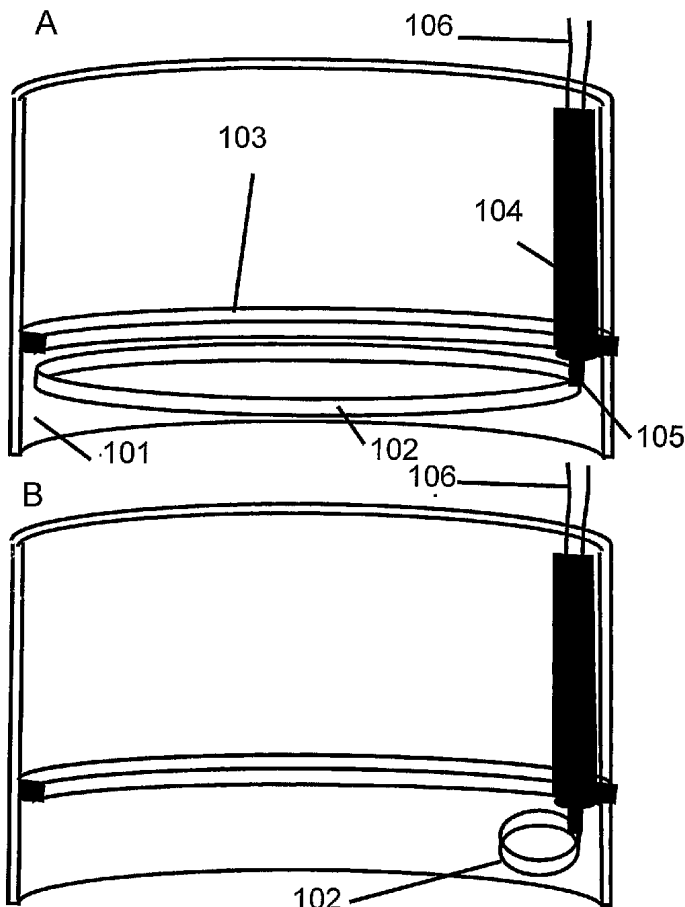
(10) International Publication Number
WO 2007/025017 A3

- (51) International Patent Classification:
A61B 17/04 (2006.01) A61B 17/12 (2006.01)
- (21) International Application Number:
PCT/US2006/033031
- (22) International Filing Date: 24 August 2006 (24.08.2006)
- (25) Filing Language: English
- (26) Publication Language: English
- (30) Priority Data:
60/711,279 24 August 2005 (24.08.2005) US
11/316,775 23 December 2005 (23.12.2005) US
11/508,715 23 August 2006 (23.08.2006) US
- (71) Applicant (for all designated States except US): AVASCA
MEDICAL, INC. [US/US]; 12 Black Mesa, Santa Fe, NM
87506 (US).
- (72) Inventors; and
- (75) Inventors/Applicants (for US only): SIBBITT, Wilmer,
L., Jr. [US/US]; 338 Amherst Drive NE, Albuquerque,
NM 87106 (US). SIBBITT, Randy, R. [US/US]; 71 Clover
View Drive, Helena, MT 59601 (US).

- (74) Agents: MEYER, Richard, S. et al.; Townsend and
Townsend and Crew LLP, Two Embarcadero Center, 8th
Floor, San Francisco, CA 94111-3834 (US).
- (81) Designated States (unless otherwise indicated, for every
kind of national protection available): AE, AG, AL, AM,
AT, AU, AZ, BA, BB, BG, BR, BW, BY, BZ, CA, CH, CN,
CO, CR, CU, CZ, DE, DK, DM, DZ, EC, EE, EG, ES, FI,
GB, GD, GE, GH, GM, HN, HR, HU, ID, IL, IN, IS, JP,
KE, KG, KM, KN, KP, KR, KZ, LA, LC, LK, LR, LS, LT,
LU, LV, LY, MA, MD, MG, MK, MN, MW, MX, MY, MZ,
NA, NG, NI, NO, NZ, OM, PG, PH, PL, PT, RO, RS, RU,
SC, SD, SE, SG, SK, SL, SM, SV, SY, TJ, TM, TN, TR,
TT, TZ, UA, UG, US, UZ, VC, VN, ZA, ZM, ZW.
- (84) Designated States (unless otherwise indicated, for every
kind of regional protection available): ARIPO (BW, GH,
GM, KE, LS, MW, MZ, NA, SD, SL, SZ, TZ, UG, ZM,
ZW), Eurasian (AM, AZ, BY, KG, KZ, MD, RU, TJ, TM),
European (AT, BE, BG, CH, CY, CZ, DE, DK, EE, ES, FI,
FR, GB, GR, HU, IE, IS, IT, LT, LU, LV, MC, NL, PL, PT,

[Continued on next page]

(54) Title: VASCULAR CLOSURE METHODS AND APPARATUSES



(57) Abstract: A vascular closure device comprised of a sheath-delivered cincture or noose-like device or knot comprised of suture, wire, or other suitable materials, that is placed on the external surface of a puncture wound, and closed. The vascular closure cincture is delivered by a sheath, and after closing is left resident on the external surface of a tissue puncture wound.

WO 2007/025017 A3



RO, SE, SI, SK, TR), OAPI (BF, BJ, CF, CG, CI, CM, GA,
GN, GQ, GW, ML, MR, NE, SN, TD, TG).

Published:

— *with international search report*

Declaration under Rule 4.17:

— *of inventorship (Rule 4.17(iv))*

(88) Date of publication of the international search report:

16 April 2009

INTERNATIONAL SEARCH REPORT

International application No.

PCT/US06/33031

A. CLASSIFICATION OF SUBJECT MATTER
 IPC: **A61B 17/04**(2006.01);**A61B 17/12**(2006.01)

 USPC: 606/144
 According to International Patent Classification (IPC) or to both national classification and IPC

B. FIELDS SEARCHED
 Minimum documentation searched (classification system followed by classification symbols)
 U.S. : 606/144, 113, 139, 145, 151, 157, 228

 Documentation searched other than minimum documentation to the extent that such documents are included in the fields searched

 Electronic data base consulted during the international search (name of data base and, where practicable, search terms used)

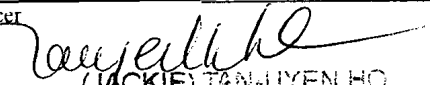
C. DOCUMENTS CONSIDERED TO BE RELEVANT

Category *	Citation of document, with indication, where appropriate, of the relevant passages	Relevant to claim No.
X	US 5,609,597 (LEHRER) 11 March 1997 (11.03.1997), figure 1-4, 6, 16-17, and 25, column 8 lines 10-45, column 15 lines 10-25, column 17-19	1-14, 22-25
X	US 6,572,629 B2 (KALLOO et al.) 3 June 2003 (03.06.2003), figure 2-5 and 9-12, column 4 lines 33-67, column 5-6	1-25

Further documents are listed in the continuation of Box C. See patent family annex.

* Special categories of cited documents.		
"A"	document defining the general state of the art which is not considered to be of particular relevance	"T" later document published after the international filing date or priority date and not in conflict with the application but cited to understand the principle or theory underlying the invention
"E"	earlier application or patent published on or after the international filing date	"X" document of particular relevance: the claimed invention cannot be considered novel or cannot be considered to involve an inventive step when the document is taken alone
"L"	document which may throw doubts on priority claim(s) or which is cited to establish the publication date of another citation or other special reason (as specified)	"Y" document of particular relevance: the claimed invention cannot be considered to involve an inventive step when the document is combined with one or more other such documents, such combination being obvious to a person skilled in the art
"O"	document referring to an oral disclosure, use, exhibition or other means	
"P"	document published prior to the international filing date but later than the priority date claimed	"&" document member of the same patent family

Date of the actual completion of the international search 14 April 2008 (14.04.2008)	Date of mailing of the international search report 19 MAY 2008
-----------------------------------------------------------------------------------------	--------------------------------------------------------------------------

Name and mailing address of the ISA/US Mail Stop PCT, Attn: ISA/US Commissioner for Patents P.O. Box 1450 Alexandria, Virginia 22313-1450 Facsimile No. (571) 273-3201	Authorized officer Jackie Ho  (JACKIE) TAN-LUYEN HO Telephone No. SUPERVISORY PATENT EXAMINER
---------------------------------------------------------------------------------------------------------------------------------------------------------------------------------------	---------------------------------------------------------------------------------------------------------------------------------------------------------------------------------------------------