

(12) STANDARD PATENT APPLICATION (11) Application No. AU 2020292995 A8
(19) AUSTRALIAN PATENT OFFICE

(54) Title
Methods of processing a fava bean composition

(51) International Patent Classification(s)
A23K 10/10 (2016.01) **A23L 11/30** (2016.01)
A23L 11/00 (2016.01)

(21) Application No: **2020292995** (22) Date of Filing: **2020.06.15**

(87) WIPO No: **WO20/249817**

(30) Priority Data

(31) Number	(32) Date	(33) Country
19179984.0	2019.06.13	EP

(43) Publication Date: **2020.12.17**

(48) Corrigenda Journal Date: **2022.04.14**

(71) Applicant(s)
The Green Dairy Sweden Holding Aktiebolag

(72) Inventor(s)
BERGGREN SÖDERLUND, Gunilla Anna Maria;ANDERSSON, Kenneth Lars-Olof;FUNETEG, Bo Åke Ingolf;LINDVALL, Kent Inge Stephan;SJÖBERG, Klas Göran;SÖDERLUND, Bengt Patrik

(74) Agent / Attorney
Davies Collison Cave Pty Ltd, Level 14 255 Elizabeth St, Sydney, NSW, 2000, AU



(51) International Patent Classification:

A23K 10/10 (2016.01) A23L 11/30 (2016.01)
A23L 11/00 (2016.01)

(21) International Application Number:

PCT/EP2020/066488

(22) International Filing Date:

15 June 2020 (15.06.2020)

(25) Filing Language:

English

(26) Publication Language:

English

(30) Priority Data:

19179984.0 13 June 2019 (13.06.2019) EP

(71) Applicant: **BOFOOD AB** [SE/SE]; Västra Kajen 8, 374 31
KARLSHAMN (SE).

(72) Inventors: **BERGGREN SÖDERLUND, Gunilla Anna Maria**; Finalgatan 17B, 222 74 LUND (SE). **AN-**

DERSSON, Kenth Lars-Olof; Blåvingevägen 29, 247 35 SÖDRA SANDBY (SE). **FUNETEG, Bo Åke Ingolf**; Kärrabolsvägen 110, 293 91 OLOFSTRÖM (SE). **LINDVALL, Kent Inge Stephan**; Högerudsgatan 29B, 216 13 LIMHAMN (SE). **SJÖBERG, Klas Göran**; Östra Kristinelundsvägen 27 A, 217 48 MALMÖ (SE). **SÖDERLUND, Bengt Patrik**; Finalgatan 17B, 222 74 LUND (SE).

(74) Agent: **BRANN AB**; 3690, Drottninggatan 27, 103 59 STOCKHOLM (SE).

(81) Designated States (unless otherwise indicated, for every kind of national protection available): AE, AG, AL, AM, AO, AT, AU, AZ, BA, BB, BG, BH, BN, BR, BW, BY, BZ, CA, CH, CL, CN, CO, CR, CU, CZ, DE, DJ, DK, DM, DO, DZ, EC, EE, EG, ES, FI, GB, GD, GE, GH, GM, GT, HN, HR, HU, ID, IL, IN, IR, IS, JO, JP, KE, KG, KH, KN, KP, KR, KW, KZ, LA, LC, LK, LR, LS, LU, LY, MA, MD, ME, MG, MK, MN, MW, MX, MY, MZ, NA, NG, NI, NO, NZ, OM, PA, PE, PG, PH, PL, PT, QA, RO, RS, RU, RW, SA,

(54) Title: METHODS OF PROCESSING A FAVA BEAN COMPOSITION

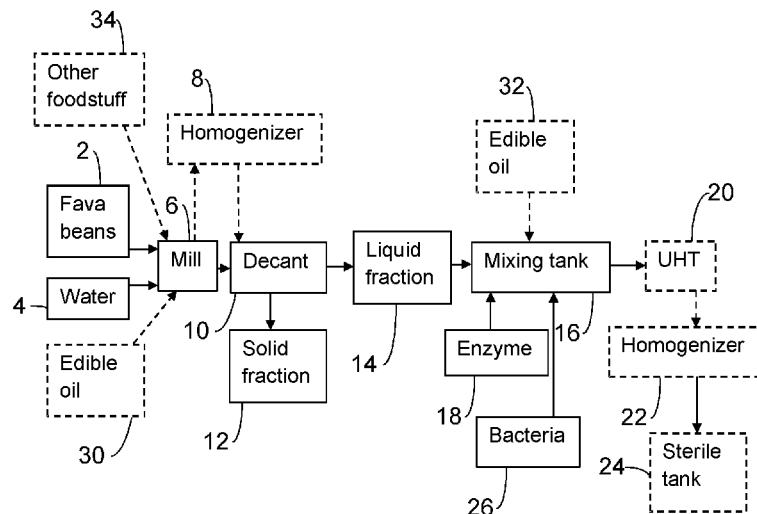


Fig. 1B

(57) Abstract: A method of processing a fava bean composition is disclosed, the method comprising the steps of: i. providing a fava bean composition comprising fava beans, and ii. subjecting the fava bean composition to a betaglucosidase and at least one lactobacillus plantarum bacteria under dosage, time and temperature conditions selected so as to be sufficient to reduce the content of at least one of the compounds vicine and convicine, and preferably also at least one of the compounds divicine and isouramil, by at least 90 wt% as compared to the content of said compounds in the fava bean composition provided in step i. A fava bean composition obtained by the method as well as methods of producing food compositions using the fava bean composition and food compositions thus produced are also disclosed.



SC, SD, SE, SG, SK, SL, ST, SV, SY, TH, TJ, TM, TN, TR,
TT, TZ, UA, UG, US, UZ, VC, VN, WS, ZA, ZM, ZW.

(84) Designated States (*unless otherwise indicated, for every kind of regional protection available*): ARIPO (BW, GH, GM, KE, LR, LS, MW, MZ, NA, RW, SD, SL, ST, SZ, TZ, UG, ZM, ZW), Eurasian (AM, AZ, BY, KG, KZ, RU, TJ, TM), European (AL, AT, BE, BG, CH, CY, CZ, DE, DK, EE, ES, FI, FR, GB, GR, HR, HU, IE, IS, IT, LT, LU, LV, MC, MK, MT, NL, NO, PL, PT, RO, RS, SE, SI, SK, SM, TR), OAPI (BF, BJ, CF, CG, CI, CM, GA, GN, GQ, GW, KM, ML, MR, NE, SN, TD, TG).

Published:

— *with international search report (Art. 21(3))*