



US00D754562S

(12) **United States Design Patent**
Harvey et al.

(10) **Patent No.:** **US D754,562 S**

(45) **Date of Patent:** **** Apr. 26, 2016**

- (54) **SAND AND WATER SLEIGH**
- (71) Applicants: **Patricia F. Harvey**, Norfolk, VA (US);
Larry E. Harvey, Jr., Norfolk, VA (US)
- (72) Inventors: **Patricia F. Harvey**, Norfolk, VA (US);
Larry E. Harvey, Jr., Norfolk, VA (US)
- (**) Term: **14 Years**
- (21) Appl. No.: **29/486,539**
- (22) Filed: **Mar. 31, 2014**
- (51) **LOC (10) Cl.** **12-14**
- (52) **U.S. Cl.**
USPC **D12/6**
- (58) **Field of Classification Search**
USPC D12/6, 7, 9-11, 1, 101, 302, 300, 303,
D12/304, 306, 307, 309, 310, 311, 314,
D12/316; 280/19, 845, 47.34, 24, 16, 22.1,
280/18, 47.35, 27; D21/483, 767, 769, 542,
D21/543, 544-547, 419-435; 446/160-165;
114/248; D34/12, 29
CPC B62B 15/007; B62B 15/008; B62B
2501/065; B62B 15/00
See application file for complete search history.

D222,649	S	*	11/1971	Lapointe	D12/10
D231,912	S	*	6/1974	Cooper	D12/101
D232,925	S	*	9/1974	Turner	D12/9
D238,566	S	*	1/1976	Palmer	D12/300
3,943,586	A	*	3/1976	Palmer	B63B 3/09 114/179
3,984,887	A	*	10/1976	Tanemoto	B63B 7/06 114/354
4,702,188	A	*	10/1987	Harilainen	B63B 1/042 114/290
5,653,455	A	*	8/1997	Richards	B62B 13/02 280/1.5
5,697,319	A	*	12/1997	Steenland	B63B 5/24 114/343
D425,011	S	*	5/2000	Nakashima	D12/307
6,286,448	B1	*	9/2001	Sahr	B63B 5/24 114/357
6,367,406	B1	*	4/2002	Sahr	B63B 5/24 114/357
6,460,478	B1	*	10/2002	Widmer	B63B 5/24 114/357
D684,790	S	*	6/2013	Boatright	D6/388
2007/0296167	A1	*	12/2007	Beswick	B62B 15/008 280/47.34
2012/0205881	A1	*	8/2012	Herrick	B62B 13/08 280/18

* cited by examiner
Primary Examiner — T. Chase Nelson
Assistant Examiner — Ania Aman
 (74) *Attorney, Agent, or Firm* — Dale J. Ream

(56) **References Cited**

U.S. PATENT DOCUMENTS

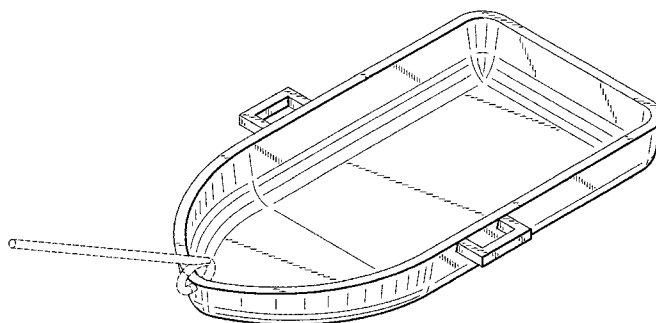
1,702,872	A	*	2/1929	Kempin	B63B 7/04 114/352
2,376,753	A	*	5/1945	Bowen	B63B 5/24 114/357
D145,391	S	*	8/1946	Cosme	D12/300
D170,886	S	*	11/1953	Paden et al.	280/18
2,735,690	A	*	2/1956	Paden et al.	B62B 15/00 280/18
2,816,298	A	*	12/1957	Foster	B63B 3/00 114/357
D193,453	S	*	8/1962	Siegel	114/288
3,064,283	A	*	11/1962	Swanson	B63B 3/38 114/356
3,174,166	A	*	3/1965	Ehrenberg	B63B 5/24 114/357
3,176,055	A	*	3/1965	Loos	B63B 5/24 114/357
3,282,761	A	*	11/1966	Evangelist	B29C 33/30 114/357
3,348,246	A	*	10/1967	Vidal	B63B 5/24 114/352

(57) **CLAIM**
 The ornamental design for a sand and water sleigh, as shown and described.

DESCRIPTION

This application is related to U.S. patent application Ser. No. 13/864,879, filed Apr. 17, 2013, and titled "Sand and Water Sled," now abandoned.
 FIG. 1 is a perspective view of a sand and water sleigh showing my new design;
 FIG. 2 is a front view thereof;
 FIG. 3 is a back view thereof;
 FIG. 4 is a left side view thereof;
 FIG. 5 is a right side view thereof;
 FIG. 6 is a top view thereof; and,
 FIG. 7 is a bottom view thereof.
 In the drawings, the broken lines showing a rope illustrate environment and form no part of the claimed design.

1 Claim, 7 Drawing Sheets



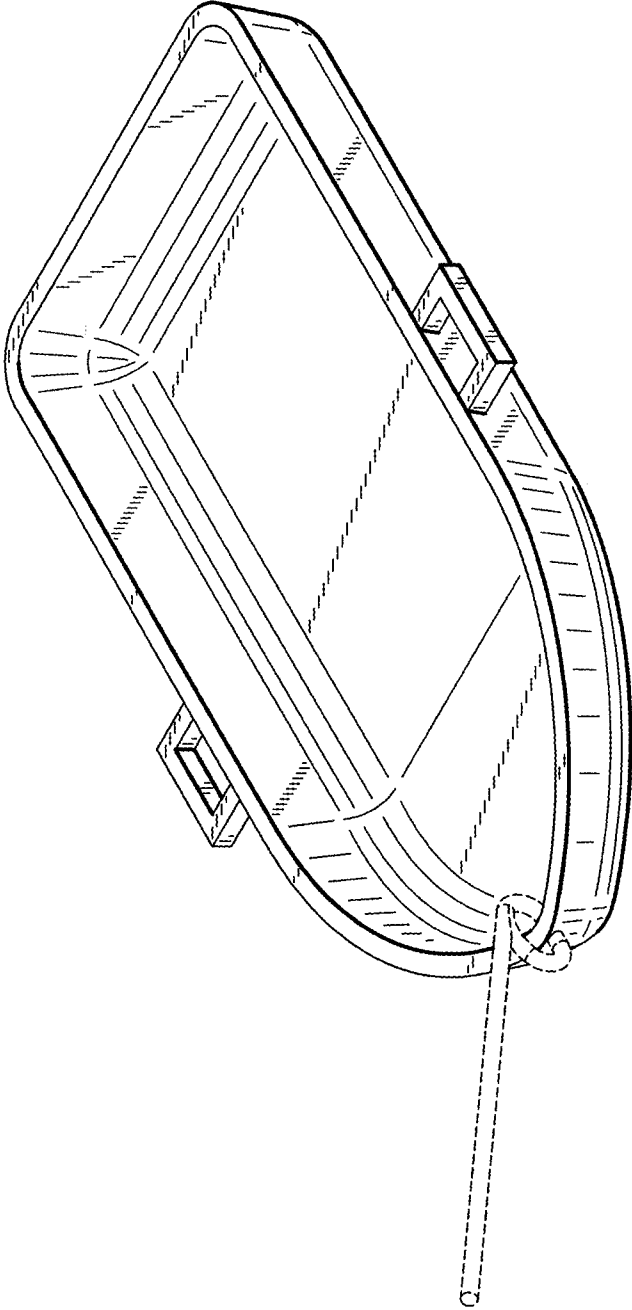


FIG. 1

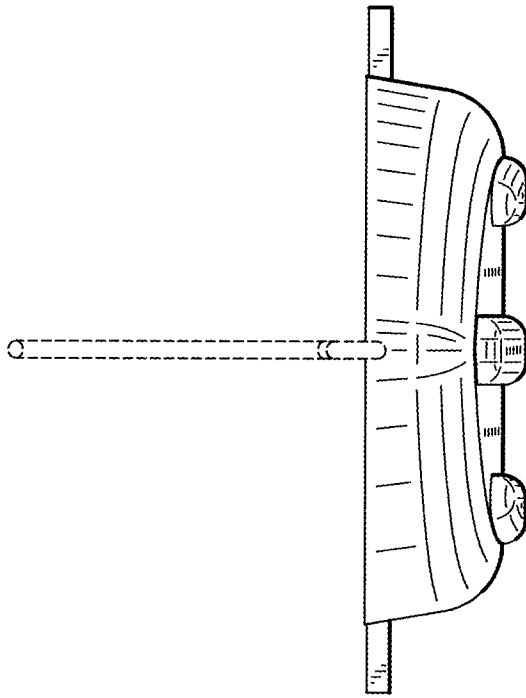


FIG. 2

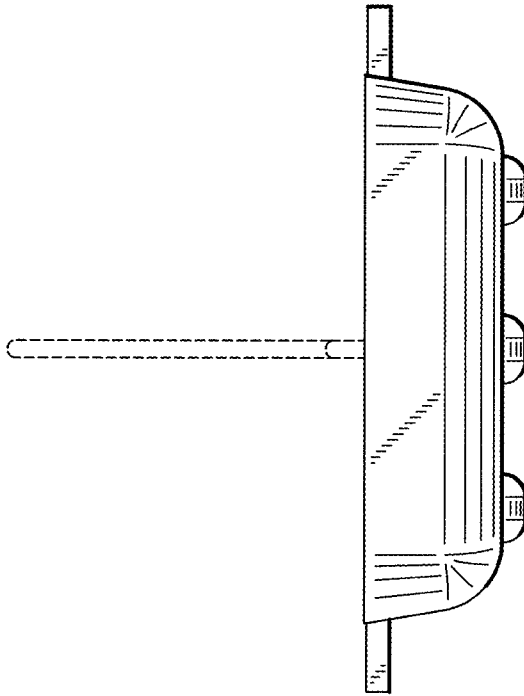


FIG. 3

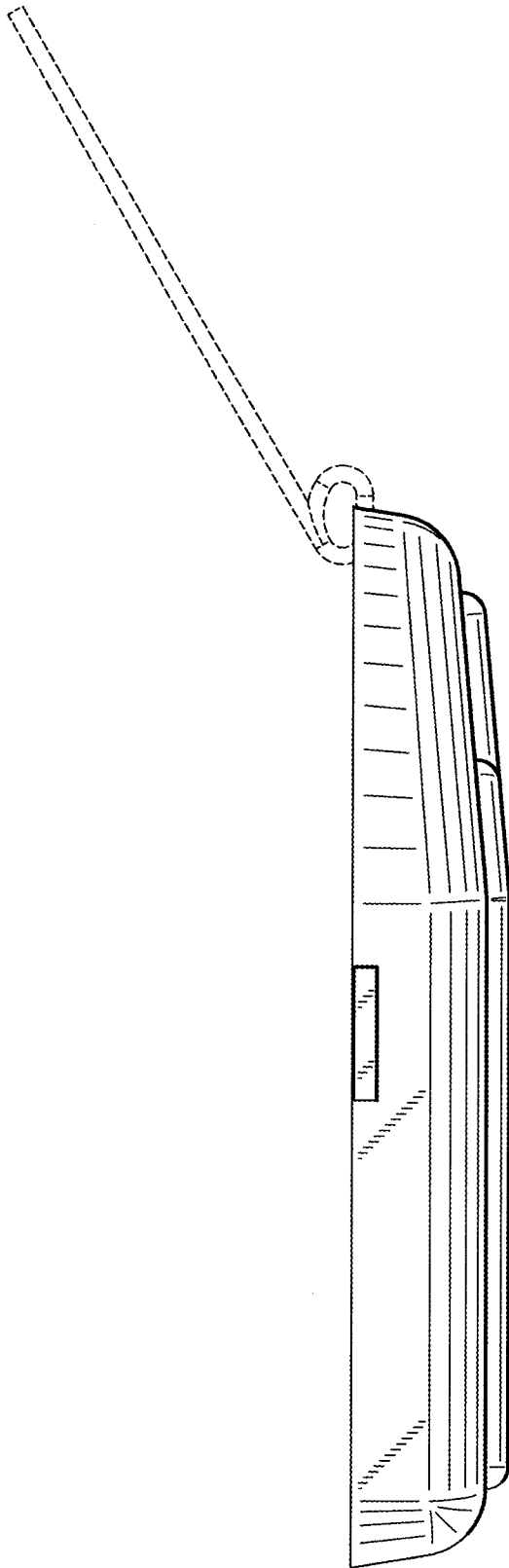


FIG. 4

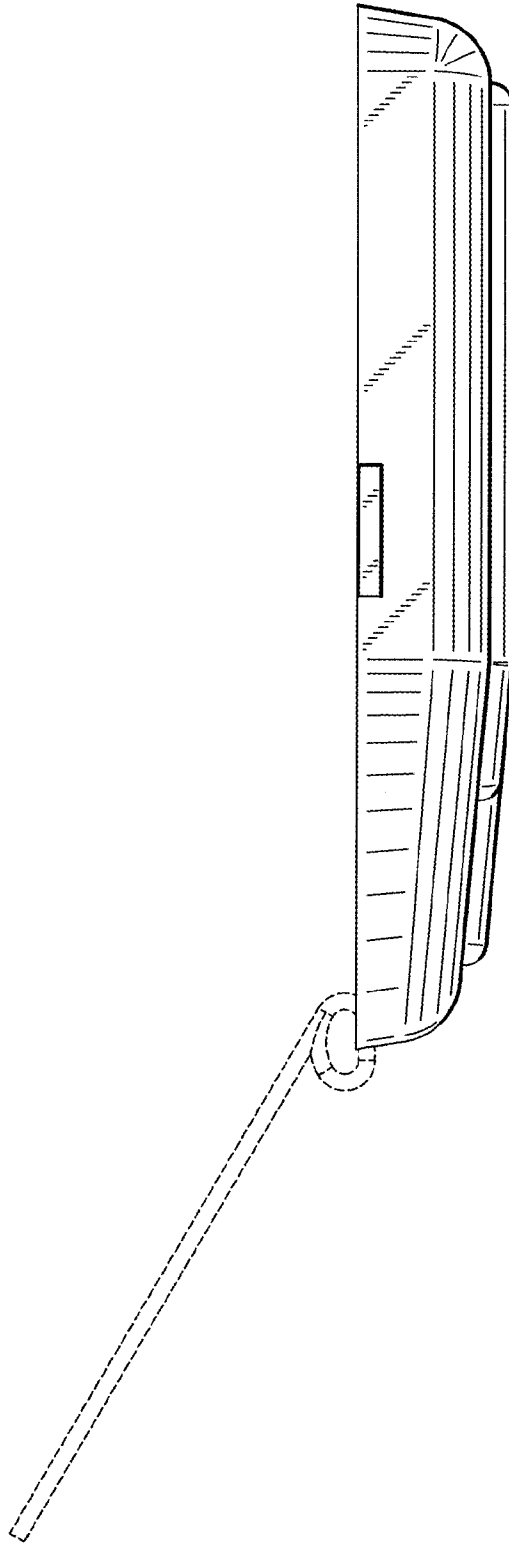


FIG. 5

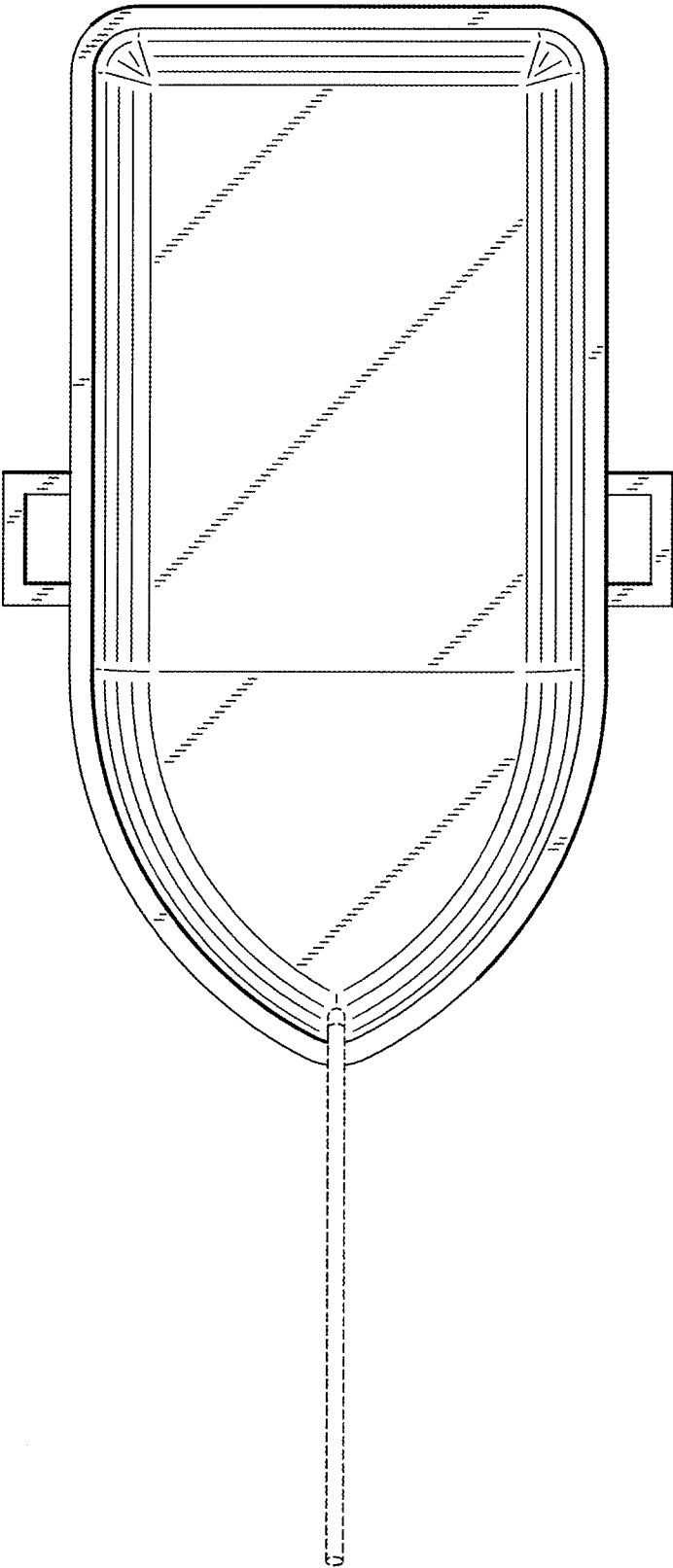


FIG. 6

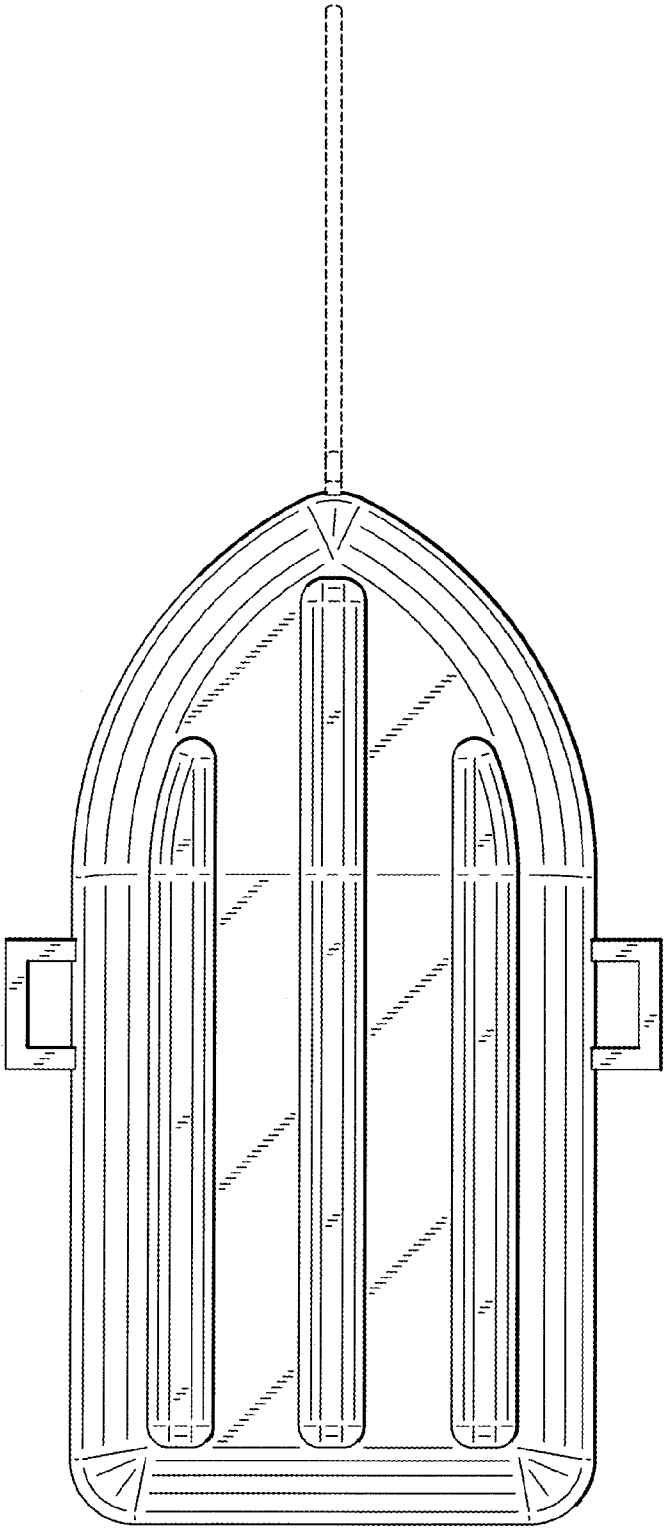


FIG. 7