



US00D710335S

(12) **United States Design Patent**
Yang

(10) **Patent No.:** **US D710,335 S**

(45) **Date of Patent:** **** Aug. 5, 2014**

- (54) **EARPHONE**
- (71) Applicant: **Bill Yang**, Taipei (TW)
- (72) Inventor: **Bill Yang**, Taipei (TW)
- (73) Assignee: **Cotron Corporation**, Taipei (TW)
- (**) Term: **14 Years**

D543,972	S	*	6/2007	Taylor	D14/223
D598,901	S	*	8/2009	Lee et al.	D14/223
D599,781	S	*	9/2009	Lee et al.	D14/205
D626,117	S	*	10/2010	Lowry	D14/223
D643,414	S	*	8/2011	Lee et al.	D14/223
D666,581	S	*	9/2012	Perez	D14/223
D668,632	S	*	10/2012	Enquist	D14/205
D674,373	S	*	1/2013	Combs et al.	D14/205
D691,580	S	*	10/2013	Cho et al.	D14/205
D699,226	S	*	2/2014	Yoon	D14/223
2007/0098201	A1	*	5/2007	Chen	381/380
2009/0041288	A1	*	2/2009	Liu et al.	381/381

(21) Appl. No.: **29/462,536**

(22) Filed: **Aug. 6, 2013**

(51) **LOC (10) Cl.** **14-01**

(52) **U.S. Cl.** **D14/223**
USPC

(58) **Field of Classification Search**
CPC H04R 1/10
USPC D14/223, 205; 181/129, 130, 135;
379/430, 431; 381/380, 381, 322;
455/90.3, 575.1

See application file for complete search history.

(56) **References Cited**

U.S. PATENT DOCUMENTS

2,248,837	A	*	7/1941	Walters	381/380
2,501,107	A	*	3/1950	Volkman	381/378
D174,053	S	*	2/1955	Norris	D14/192
5,410,608	A	*	4/1995	Lucey et al.	381/360
D430,146	S	*	8/2000	Lin	D14/223
D443,261	S	*	6/2001	Yuyama	D14/223
6,493,453	B1	*	12/2002	Glendon	381/322
D470,129	S	*	2/2003	Hlas et al.	D14/223
D505,411	S	*	5/2005	Sakai	D14/192
D531,169	S	*	10/2006	Tokioka et al.	D14/223

* cited by examiner

Primary Examiner — Paula Greene

(74) *Attorney, Agent, or Firm* — Jianq Chyun IP Office

(57) **CLAIM**

The ornamental design for an earphone, as shown and described.

DESCRIPTION

FIG. 1 is a perspective view of an earphone showing my new design;

FIG. 2 is another perspective view thereof;

FIG. 3 is a front view thereof;

FIG. 4 is a rear view thereof;

FIG. 5 is a left side view thereof;

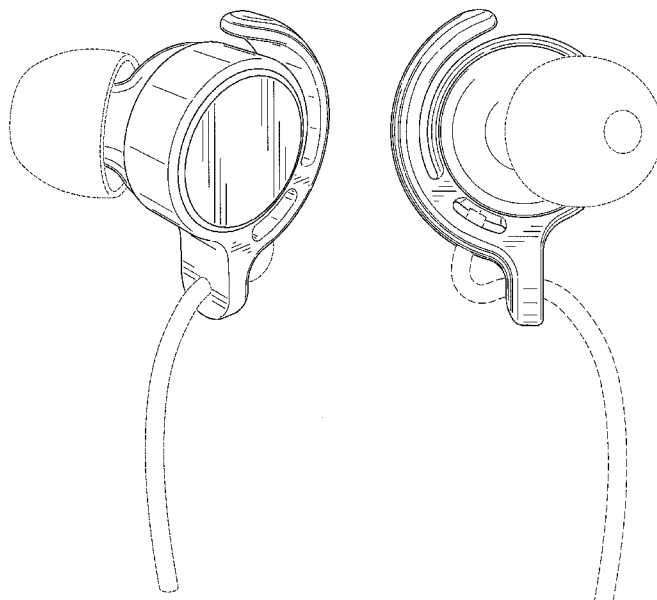
FIG. 6 is a right side view thereof;

FIG. 7 is a top view thereof; and,

FIG. 8 is a bottom view thereof.

The broken line portions of the earphone in FIGS. 1-8 represent unclaimed portions of the claimed design and form no part thereof.

1 Claim, 8 Drawing Sheets



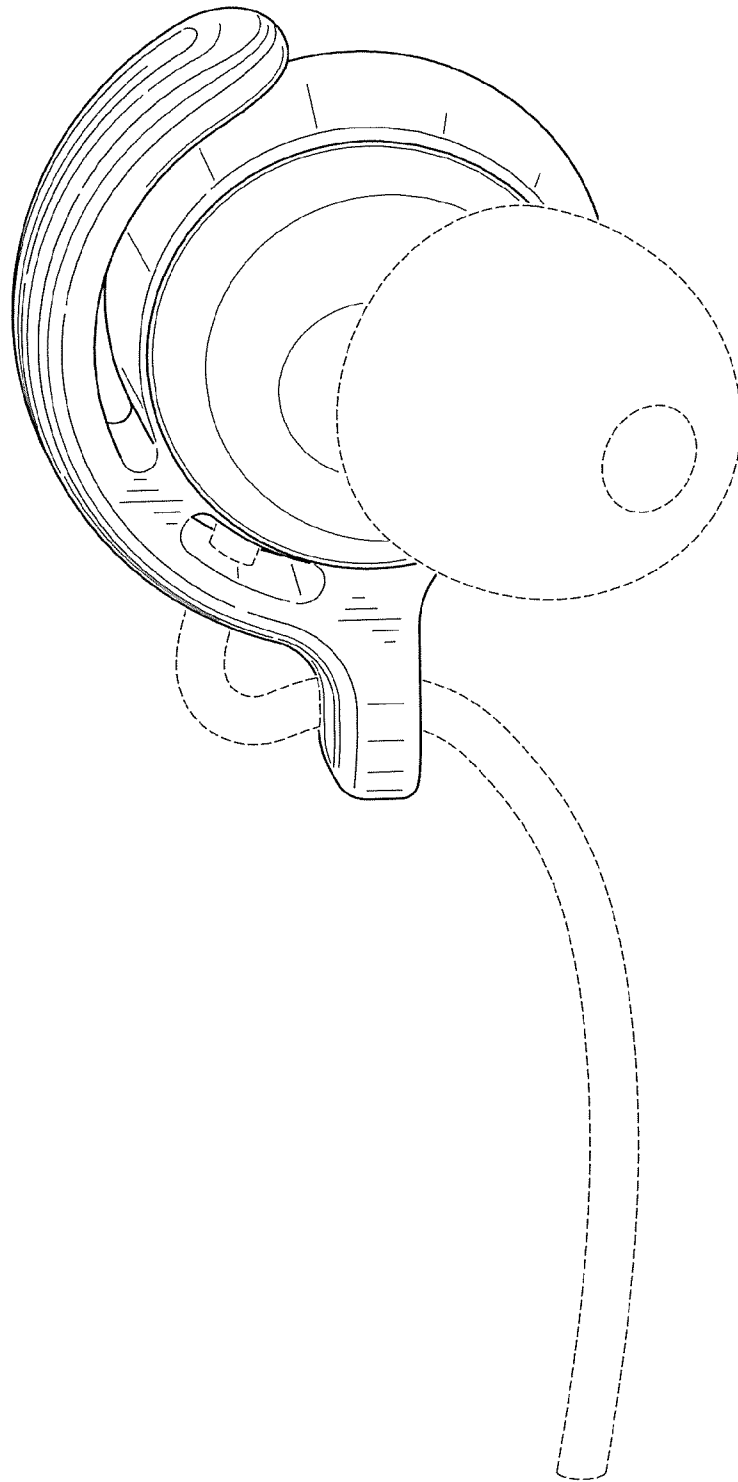


FIG. 1

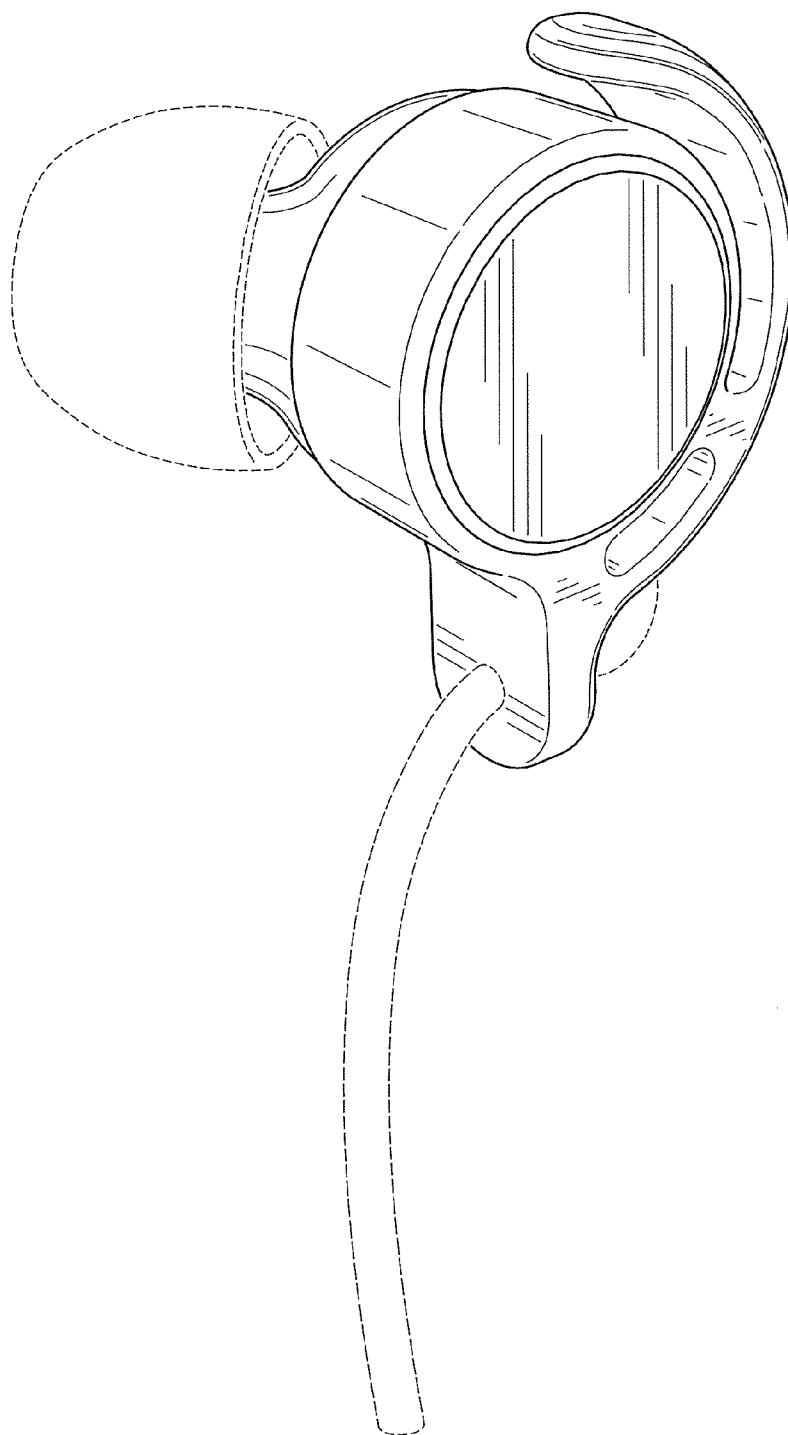


FIG. 2

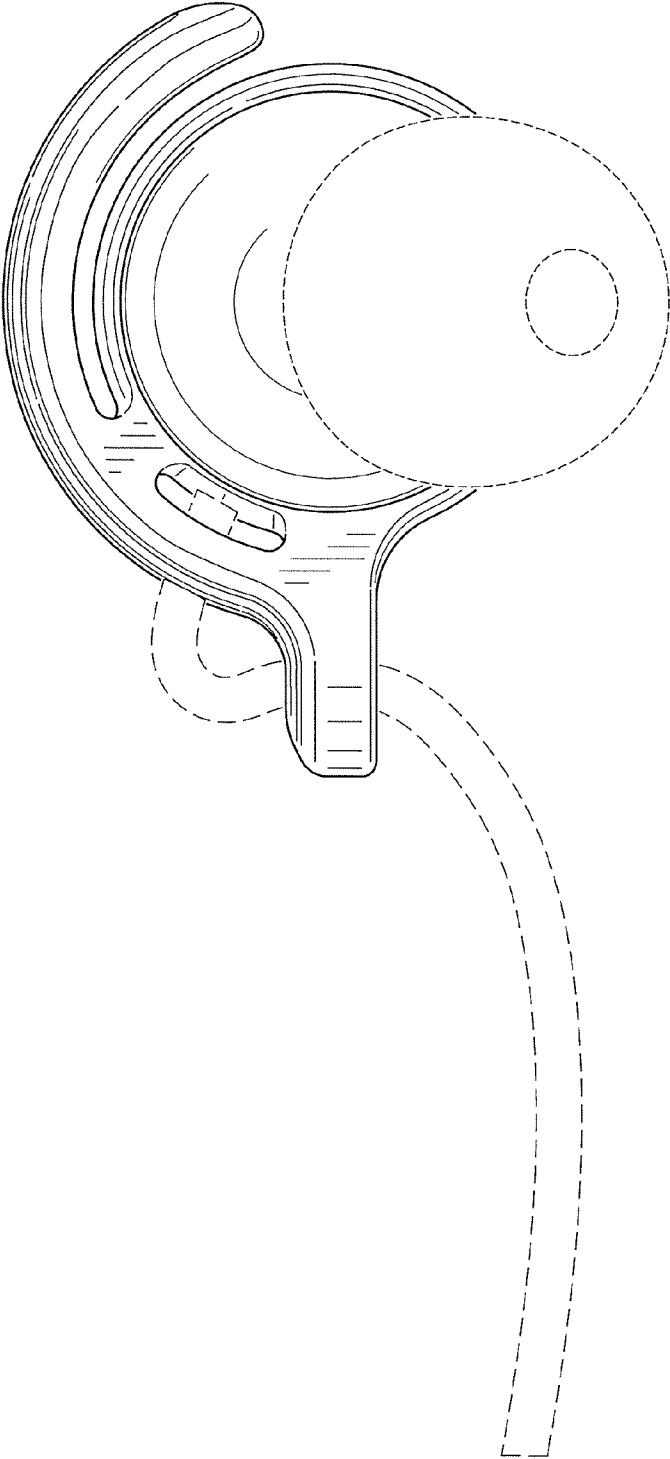


FIG. 3

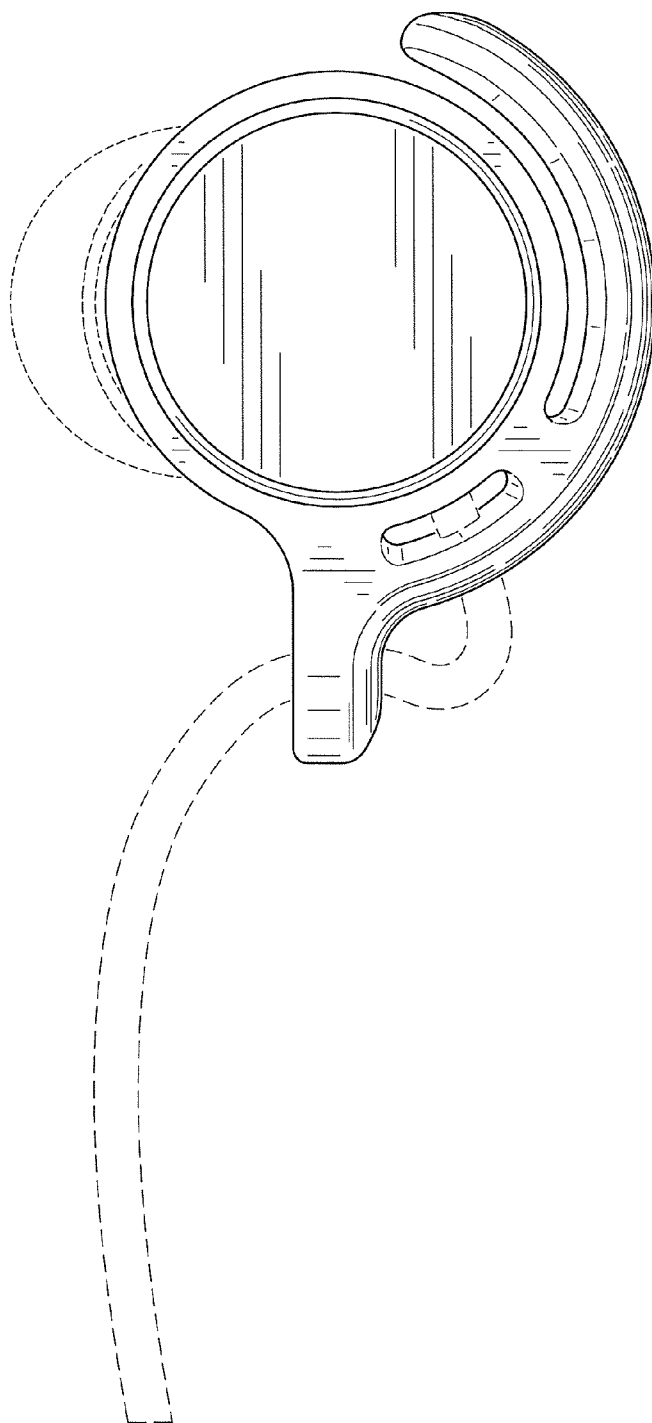


FIG. 4

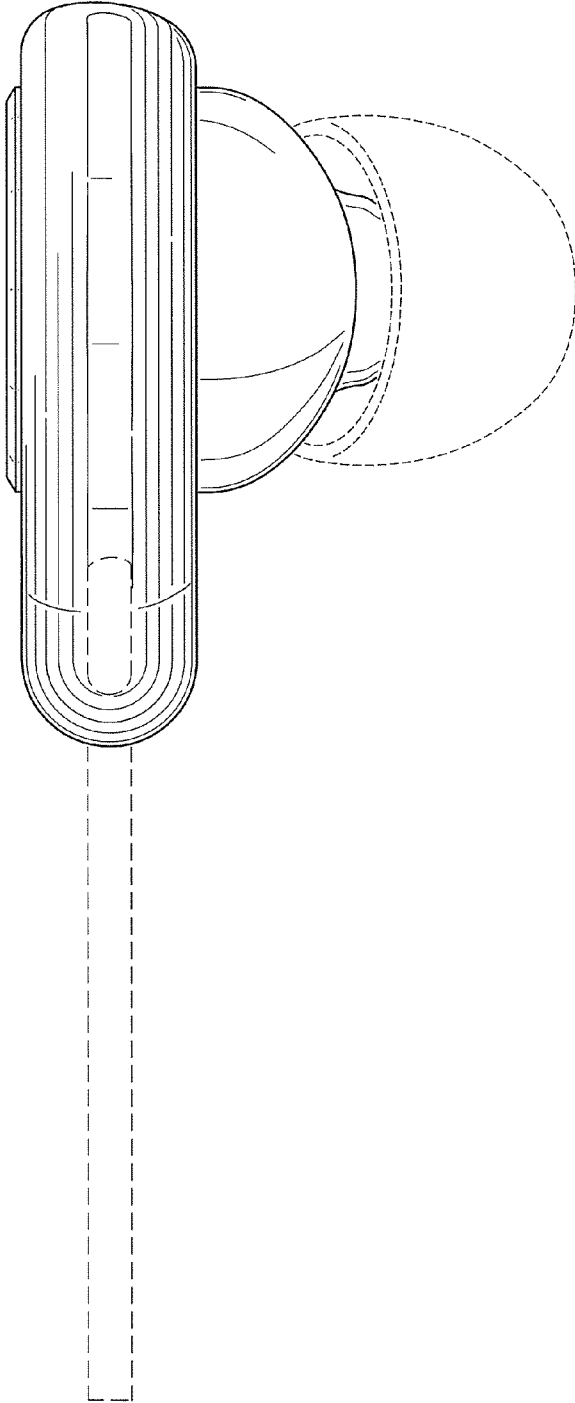


FIG. 5

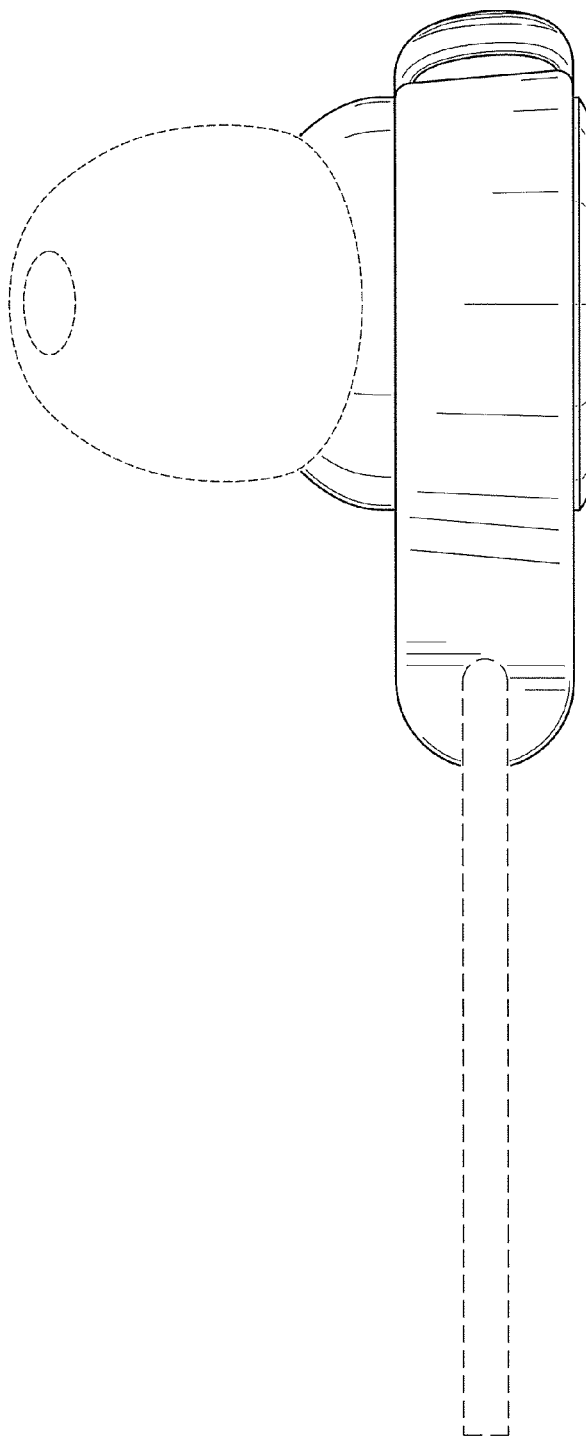


FIG. 6

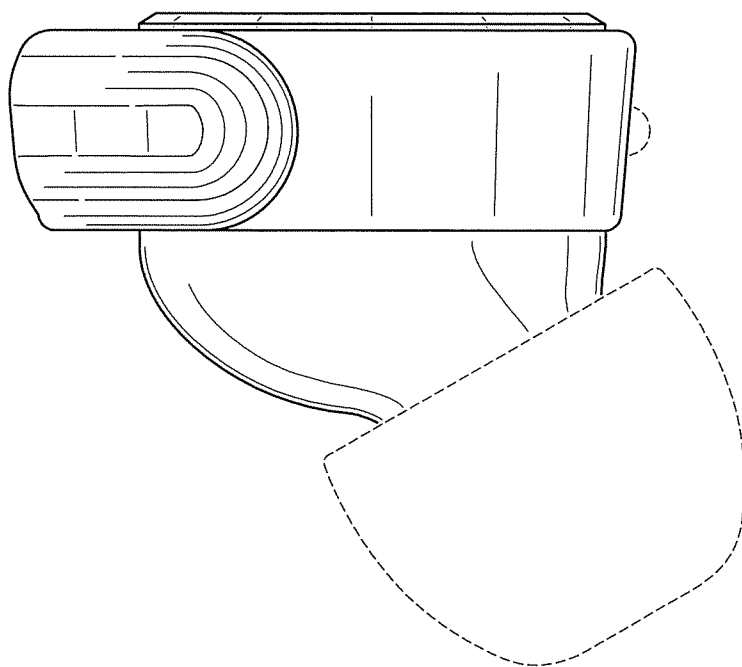


FIG. 7

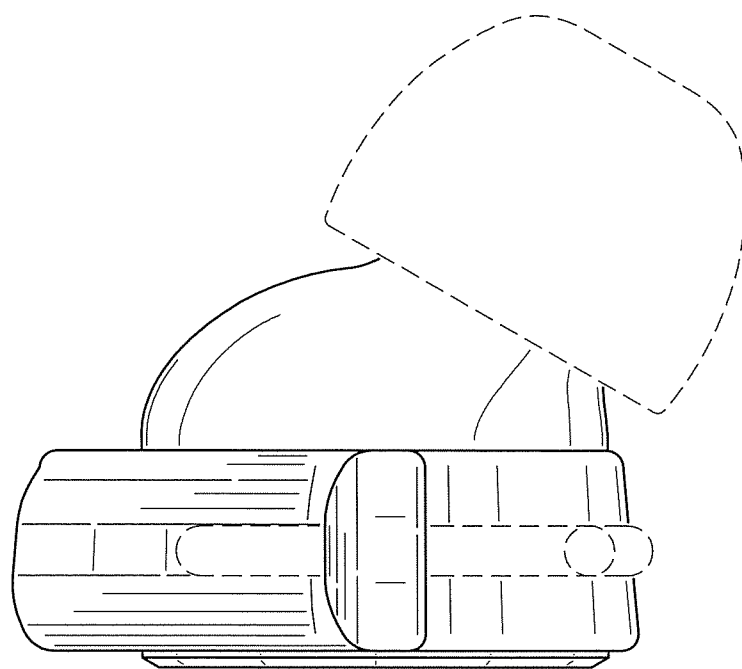


FIG. 8