



US00D960241S

(12) **United States Design Patent** (10) **Patent No.:** **US D960,241 S**
Cran et al. (45) **Date of Patent:** **** Aug. 9, 2022**

(54) **TOSSING GAME SET**
(71) Applicant: **Make Great Sales Limited**, Hong Kong (HK)
(72) Inventors: **Bruce Peter Cran**, Ho Chi Minh (VN); **Kin Choi Lee**, Hong Kong (HK)
(73) Assignee: **MAKE GREAT SALES LIMITED**, Hong Kong (HK)

Primary Examiner — Mehri F Bajoul
(74) *Attorney, Agent, or Firm* — Cochran Freund & Young, LLC; William O'Meara

(**) Term: **15 Years**
(21) Appl. No.: **29/747,821**
(22) Filed: **Aug. 25, 2020**

(57) **CLAIM**
The ornamental design for a tossing game set, as shown and described.

(30) **Foreign Application Priority Data**
May 9, 2020 (CN) 202030206107.8
(51) **LOC (13) Cl.** **21-01**
(52) **U.S. Cl.**
USPC **D21/301**
(58) **Field of Classification Search**
USPC D21/300, 301, 303, 308, 310, 313, 338, D21/350, 362, 366, 389, 570, 575, 699, D21/707, 712, 715, 735, 790, 819; 4/236, 239
CPC A63B 67/00; A63B 67/002; A63B 67/06; A63B 67/063; A63B 67/066; A63B 63/00
See application file for complete search history.

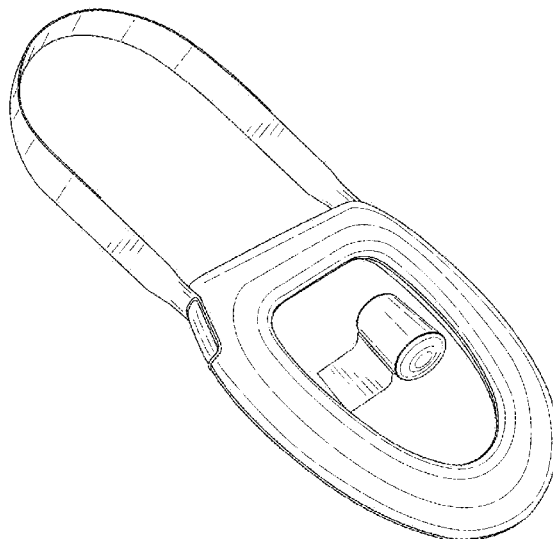
DESCRIPTION

FIG. 1 is a top perspective view of a tossing game set, comprising of an inflatable toilet seat simulating object, shown with straps in closed condition, and an inflatable toilet paper roll simulating object.
FIG. 2 is a left perspective view of the inflatable toilet paper roll component shown separately for ease of illustration.
FIG. 3 is a front elevation view thereof.
FIG. 4 is a rear elevation view thereof.
FIG. 5 is a left side elevation thereof.
FIG. 6 is a right side elevation thereof.
FIG. 7 is a top plan view thereof.
FIG. 8 is a bottom plan view thereof.
FIG. 9 is a top perspective view of the inflatable toilet seat component, with the straps in an open condition, shown separately for ease of illustration.
FIG. 10 is a top plan view thereof.
FIG. 11 is a bottom plan view thereof.
FIG. 12 is a left side elevation view thereof.
FIG. 13 is a right side elevation view thereof.
FIG. 14 is an alternate elevational view of the inflatable toilet seat simulating object, shown separately for ease of illustration.
FIG. 15 is another alternate elevational view of the inflatable toilet seat simulating object, shown separately for ease of illustration.
FIG. 16 is a top perspective view of the inflatable toilet seat simulating object, with the straps in closed condition, shown separately for ease of illustration; and,
FIG. 17 is a top plan view thereof.

(56) **References Cited**
U.S. PATENT DOCUMENTS
3,153,248 A * 10/1964 Miller A47K 13/06 D23/311
D254,018 S * 1/1980 Malm D21/301
5,619,757 A * 4/1997 Baratta A47K 13/14 D23/311
5,666,672 A * 9/1997 Birsell E03D 9/08 4/236

(Continued)

1 Claim, 17 Drawing Sheets



(56)

References Cited

U.S. PATENT DOCUMENTS

D500,092 S * 12/2004 Carbonero D21/301
10,105,021 B1 * 10/2018 McGuire A47K 13/02
D874,588 S * 2/2020 Hebert D21/303
2004/0148689 A1 * 8/2004 Patalinghug E03D 9/08
4/420.4
2009/0013455 A1 * 1/2009 Richardson A47K 13/145
4/245.2
2018/0219458 A1 * 8/2018 Minamiyama H02K 11/22
2018/0228323 A1 * 8/2018 Nishiyama E03D 9/08

* cited by examiner

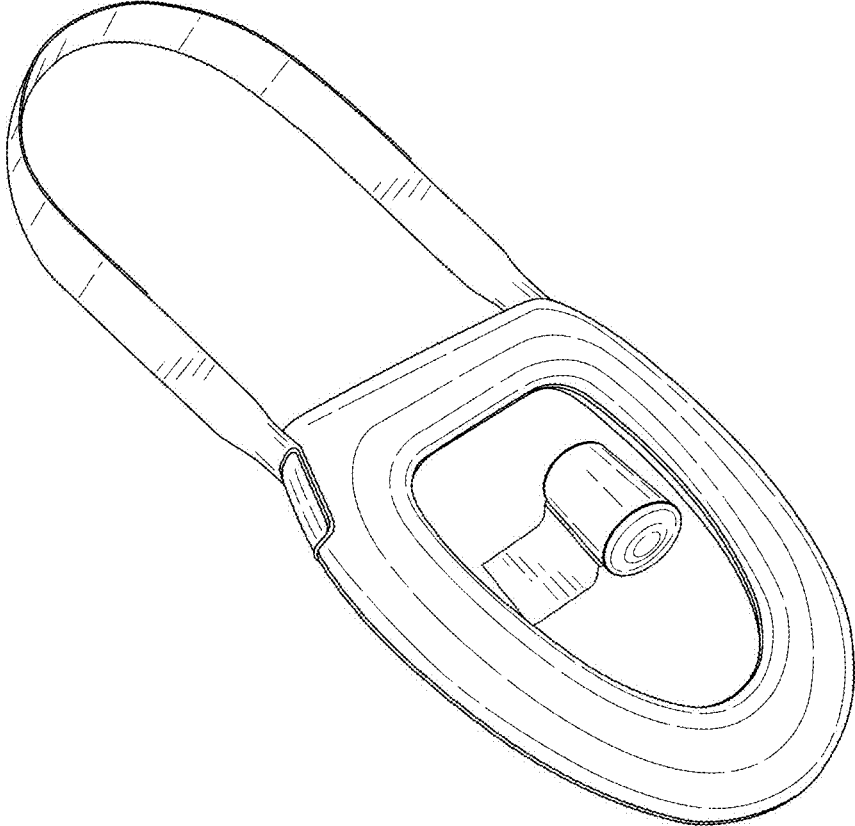


FIG.1

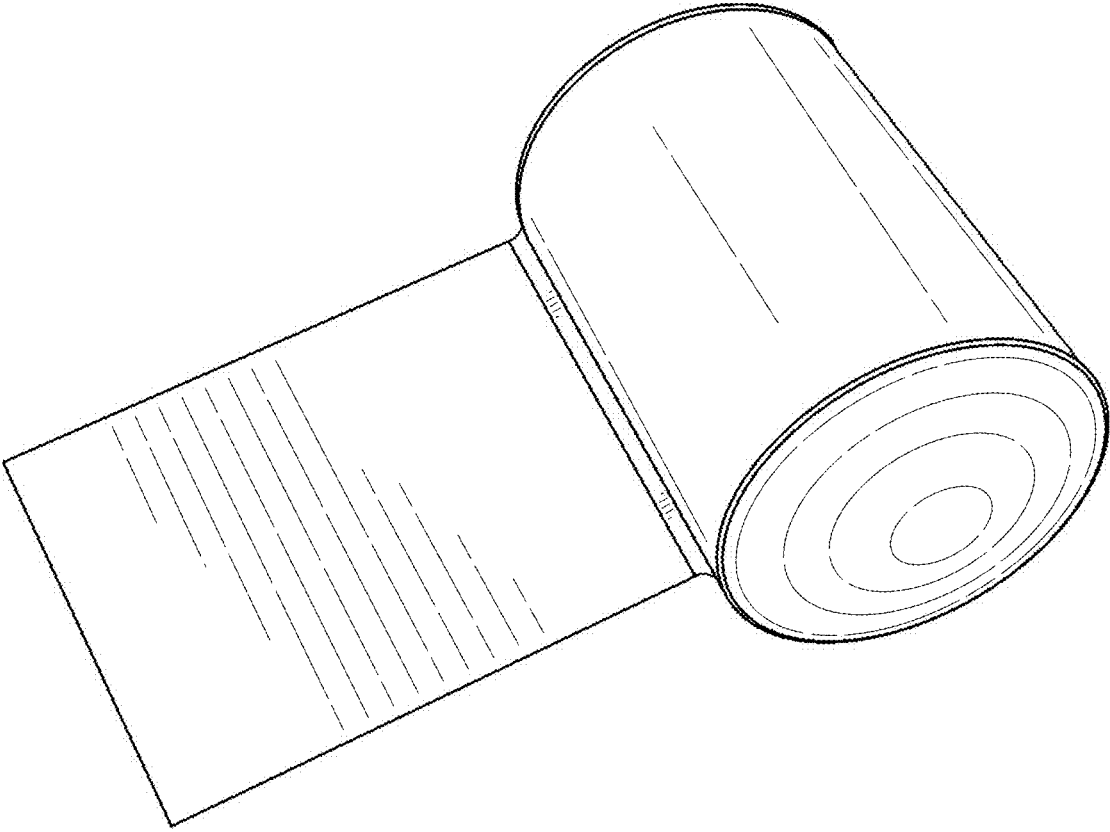


FIG.2

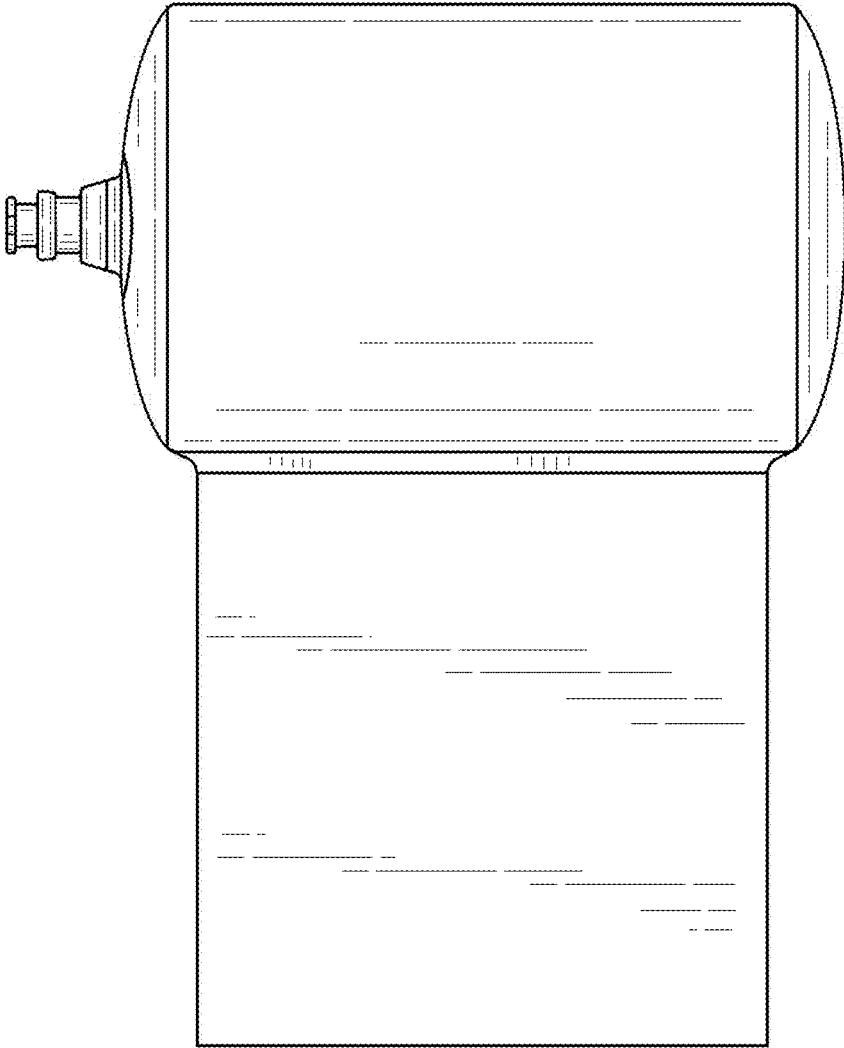


FIG.3

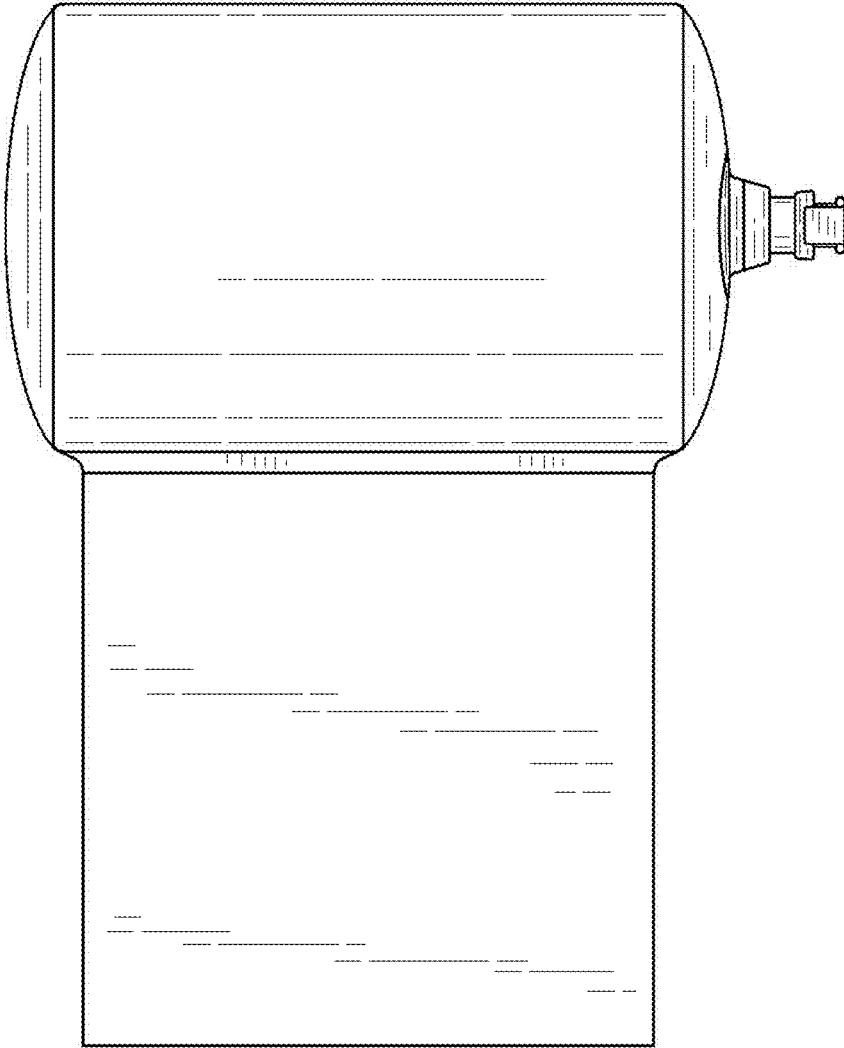


FIG.4

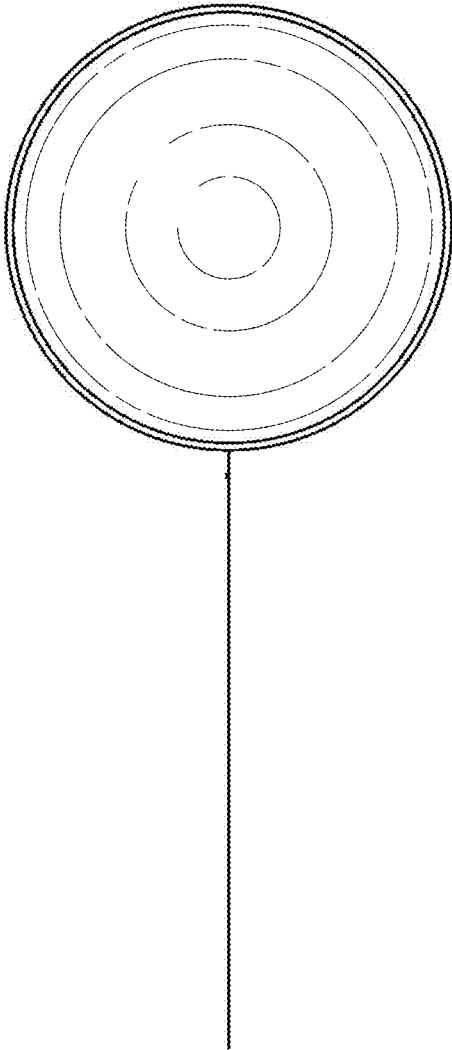


FIG.5

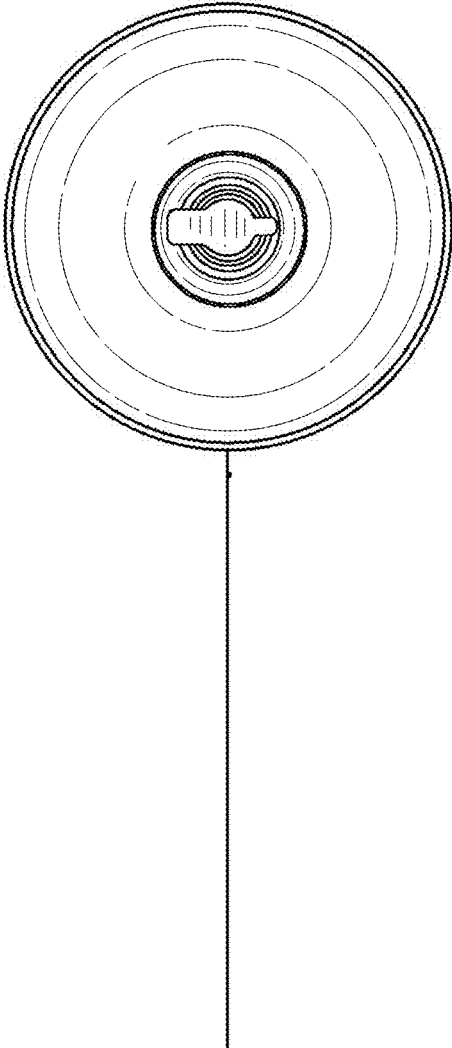


FIG.6

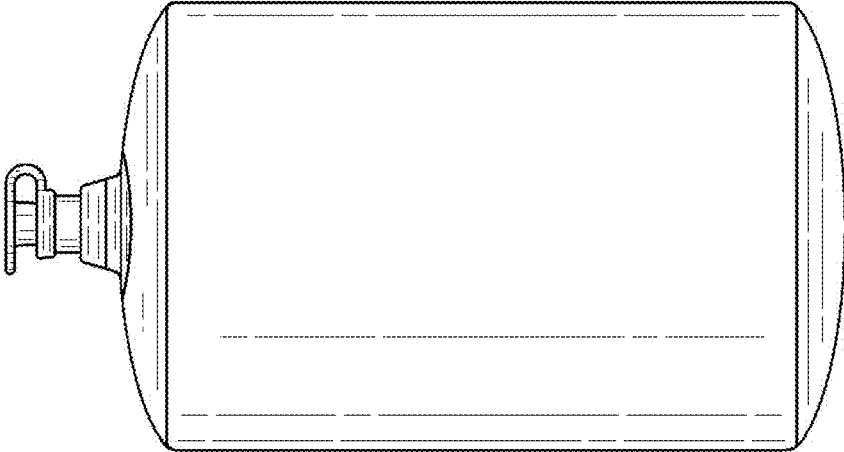


FIG.7

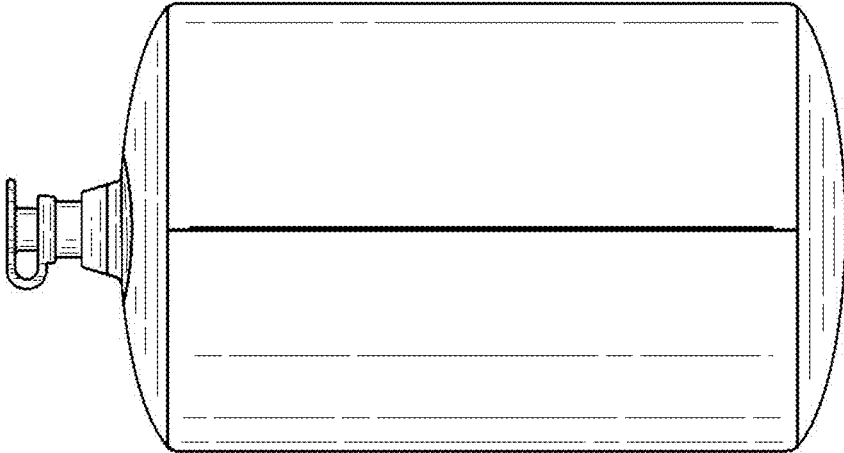


FIG.8

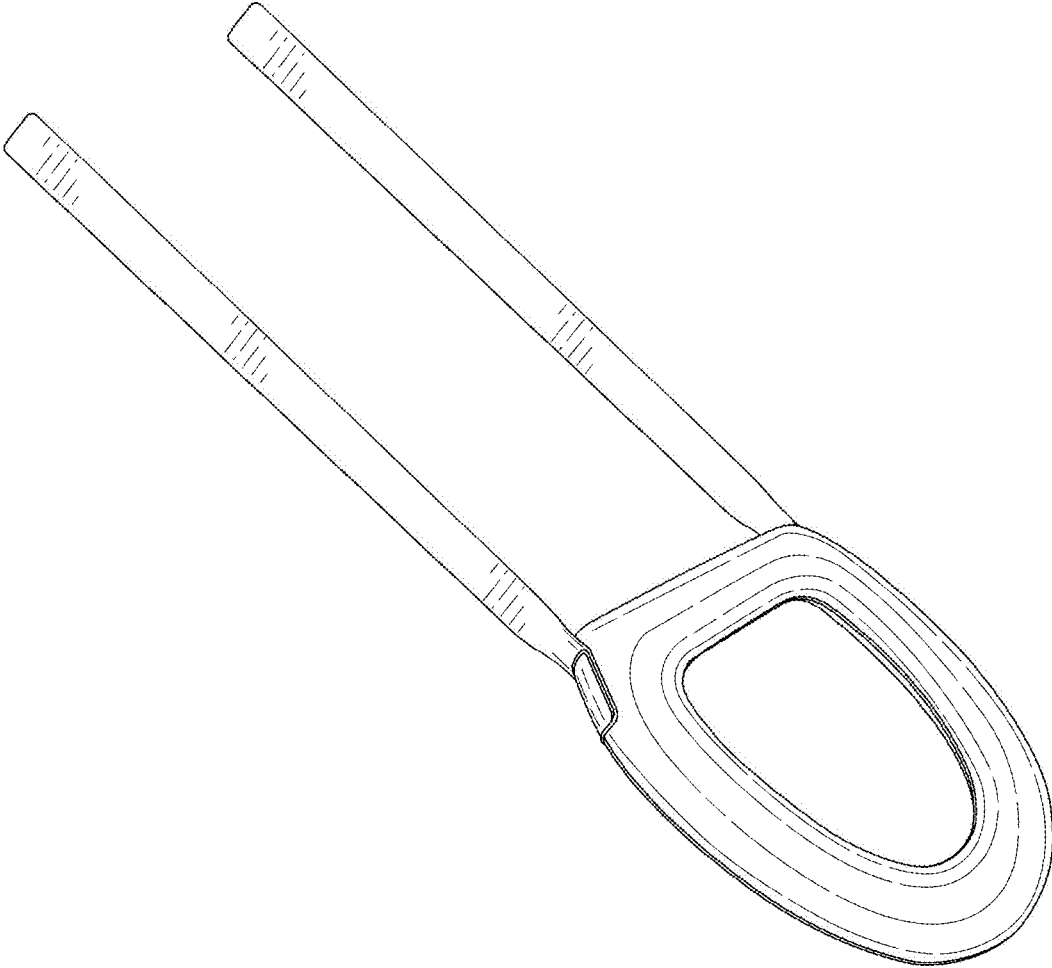


FIG.9

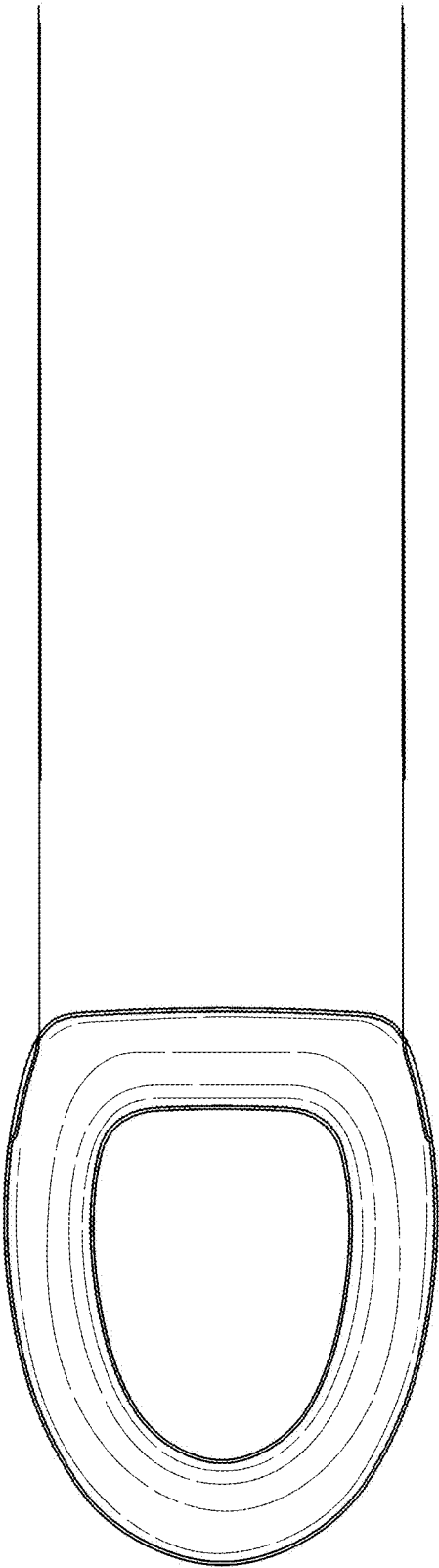


FIG.10

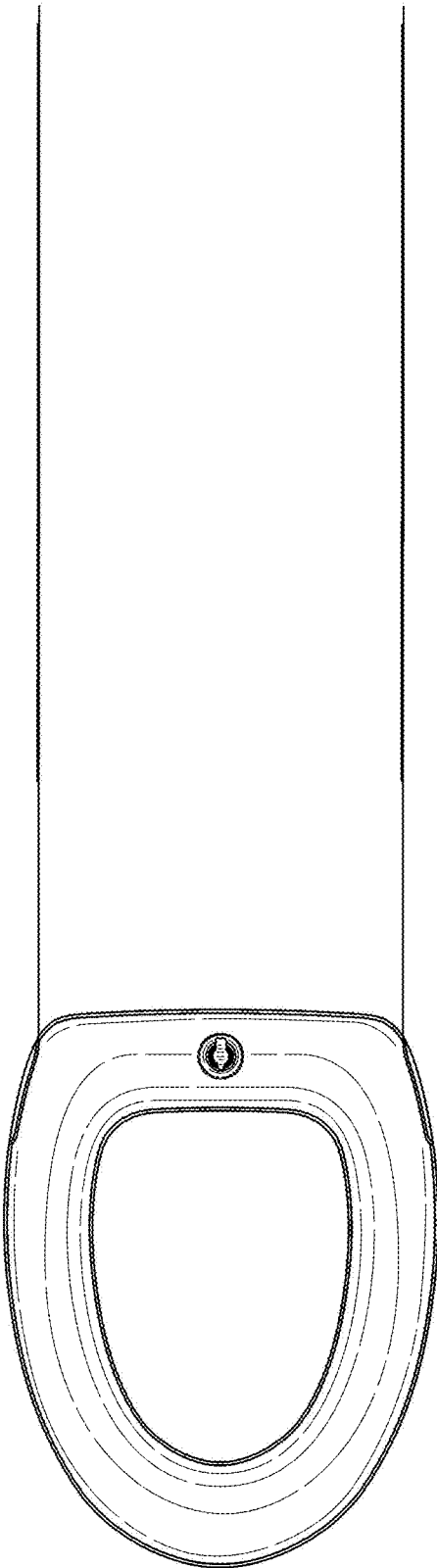


FIG.11

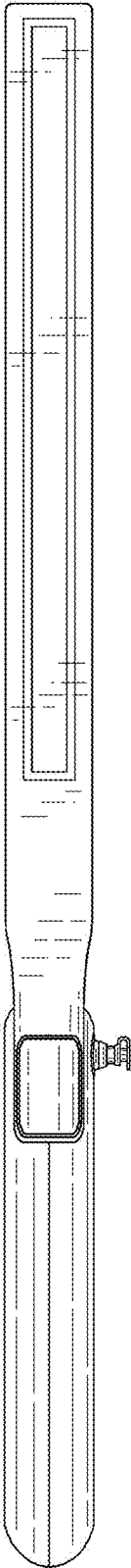


FIG.12

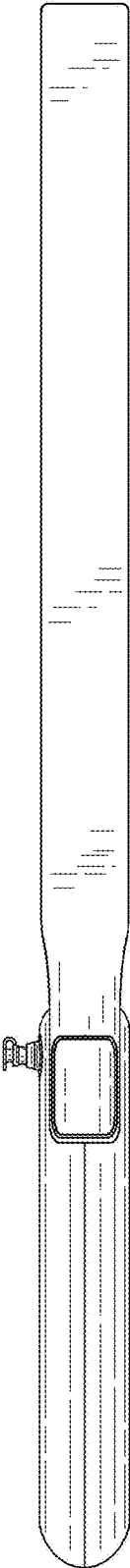


FIG.13

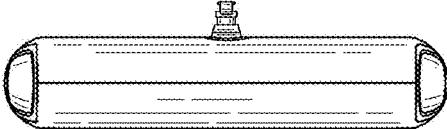


FIG.14

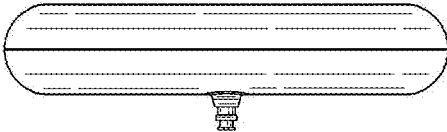


FIG.15



FIG.16

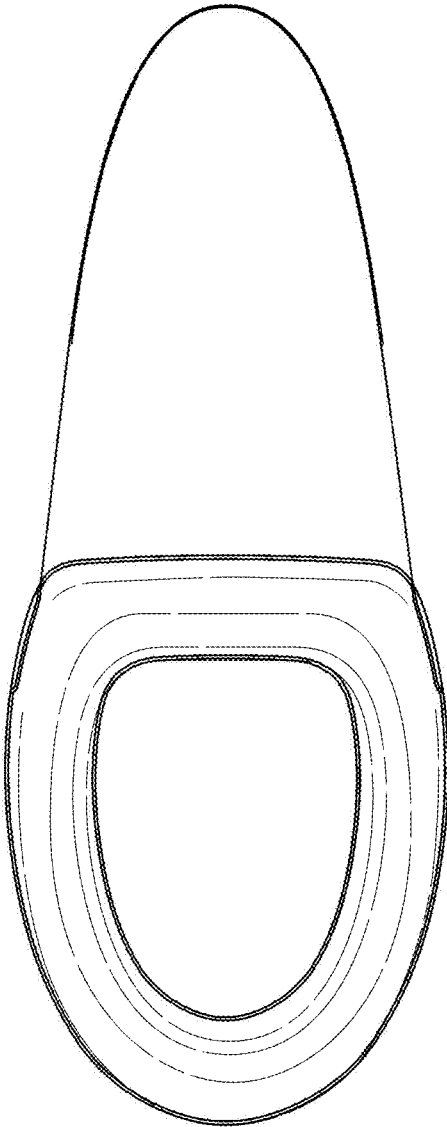


FIG.17