

(19) World Intellectual Property Organization
International Bureau



(43) International Publication Date
30 June 2005 (30.06.2005)

PCT

(10) International Publication Number
WO 2005/059716 A3

- (51) International Patent Classification⁷: **H04N 7/173**
- (21) International Application Number:
PCT/US2004/042557
- (22) International Filing Date:
17 December 2004 (17.12.2004)
- (25) Filing Language: English
- (26) Publication Language: English
- (30) Priority Data:
60/530,242 17 December 2003 (17.12.2003) US
- (71) Applicant (for all designated States except US): **MAT-SUSHITA ELECTRIC INDUSTRIAL CO., LTD.** [JP/JP]; 1006, Oaza Kadoma, Kadoma-shi, Osaka 571-8501 (JP).
- (72) Inventors; and
- (75) Inventors/Applicants (for US only): **KAPLAN, Alan** [US/US]; 9 Erdman Avenue, Princeton, New Jersey 08540-3907 (US). **GELMAN, Alexander D.** [US/US]; P. O. Box 567, 158 Pine Grove Road, Smallwood, NY 12778 (US). **FISH, Robert S.** [US/US]; Panasonic Technologies, 2 Research Way, 3rd Floor, Princeton, New Jersey 08540 (US). **BUSHMITCH, Dennis** [US/US];

183 Matlook Place, Somerset, New Jersey 08873 (US). **KHANDELWAL, Rajesh** [US/US]; 1031 Buxton Road, Bridgewater, New Jersey 08807 (US). **KORNET, Nickolay V.** [RU/RU]; St. Petersburg State Polytechnic University, Polytechnicheskaya 29, St. Petersburg, 195251 (RU). **TKACHENKO, Dmitry A.** [RU/RU]; St. Petersburg State Polytechnic University, Polytechnicheskaya 29, St. Petersburg, 195251 (RU).

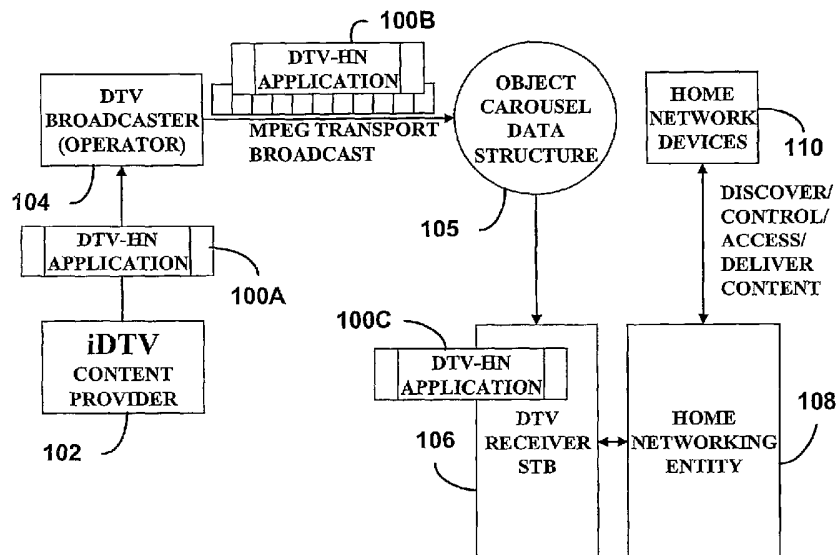
(74) Agents: **STOBBS, Gregory A.** et al.; HARNES, DICKEY & PIERCE PLC, P. O. Box 828, Bloomfield Hills, Michigan 48303 (US).

(81) Designated States (unless otherwise indicated, for every kind of national protection available): AE, AG, AL, AM, AT, AU, AZ, BA, BB, BG, BR, BW, BY, BZ, CA, CH, CN, CO, CR, CU, CZ, DE, DK, DM, DZ, EC, EE, EG, ES, FI, GB, GD, GE, GH, GM, HR, HU, ID, IL, IN, IS, JP, KE, KG, KP, KR, KZ, LC, LK, LR, LS, LT, LU, LV, MA, MD, MG, MK, MN, MW, MX, MZ, NA, NI, NO, NZ, OM, PG, PH, PL, PT, RO, RU, SC, SD, SE, SG, SK, SL, SM, SY, TJ, TM, TN, TR, TT, TZ, UA, UG, US, UZ, VC, VN, YU, ZA, ZM, ZW.

(84) Designated States (unless otherwise indicated, for every kind of regional protection available): ARIPO (BW, GH,

[Continued on next page]

(54) Title: METHOD AND SYSTEM FOR INTERACTION OF IDTV AND HOME NETWORKS VIA BROADCAST GATEWAY



DTV-HN = DTV-Home Networking Application

OSGi is an example of
A home networking entity

(57) Abstract: A broadcast gateway system for interaction of iDTV and home networks via a broadcast gateway includes a broadcast carousel, an interactive DTV (iDTV) platform, and a home networking (HN) platform. Interaction of the broadcast carousel, the iDTV platform, and the HN platform allows applications, content, and services to be delivered to a home network via a DTV broadcast stream.

WO 2005/059716 A3



GM, KE, LS, MW, MZ, NA, SD, SL, SZ, TZ, UG, ZM, ZW), Eurasian (AM, AZ, BY, KG, KZ, MD, RU, TJ, TM), European (AT, BE, BG, CH, CY, CZ, DE, DK, EE, ES, FI, FR, GB, GR, HU, IE, IS, IT, LT, LU, MC, NL, PL, PT, RO, SE, SI, SK, TR), OAPI (BF, BJ, CF, CG, CI, CM, GA, GN, GQ, GW, ML, MR, NE, SN, TD, TG).

— *before the expiration of the time limit for amending the claims and to be republished in the event of receipt of amendments*

Declaration under Rule 4.17:

— *of inventorship (Rule 4.17(iv)) for US only*

Published:

— *with international search report*

(88) Date of publication of the international search report:
5 January 2006

For two-letter codes and other abbreviations, refer to the "Guidance Notes on Codes and Abbreviations" appearing at the beginning of each regular issue of the PCT Gazette.

INTERNATIONAL SEARCH REPORT

International application No.

PCT/US04/42557

A. CLASSIFICATION OF SUBJECT MATTER

IPC(7) : H04N 7/173
 US CL : 725/132,138,140,152

According to International Patent Classification (IPC) or to both national classification and IPC

B. FIELDS SEARCHED

Minimum documentation searched (classification system followed by classification symbols)
 U.S. : 725/132,138,140,152

Documentation searched other than minimum documentation to the extent that such documents are included in the fields searched

Electronic data base consulted during the international search (name of data base and, where practicable, search terms used)
 EAST: download, applications, home network, DTV

C. DOCUMENTS CONSIDERED TO BE RELEVANT

Category *	Citation of document, with indication, where appropriate, of the relevant passages	Relevant to claim No.
X	US 5,666,293 (METZ et al) 09 September 1997 (09.09.1997), Figures 1-2 and 6, Column 6, Line 50 through Column 26, Line 10	1-20

Further documents are listed in the continuation of Box C.

See patent family annex.

* Special categories of cited documents	"T"	later document published after the international filing date or priority date and not in conflict with the application but cited to understand the principle or theory underlying the invention
"A" document defining the general state of the art which is not considered to be of particular relevance	"X"	document of particular relevance; the claimed invention cannot be considered novel or cannot be considered to involve an inventive step when the document is taken alone
"E" earlier application or patent published on or after the international filing date	"Y"	document of particular relevance; the claimed invention cannot be considered to involve an inventive step when the document is combined with one or more other such documents, such combination being obvious to a person skilled in the art
"L" document which may throw doubts on priority claim(s) or which is cited to establish the publication date of another citation or other special reason (as specified)	"&"	document member of the same patent family
"O" document referring to an oral disclosure, use, exhibition or other means		
"P" document published prior to the international filing date but later than the priority date claimed		

Date of the actual completion of the international search

20 October 2005 (20.10.2005)

Date of mailing of the international search report

09 NOV 2005

Name and mailing address of the ISA/US

Mail Stop PCT, Attn: ISA/US
 Commissioner for Patents
 P.O. Box 1450
 Alexandria, Virginia 22313-1450
 Facsimile No. (571) 273-3201

Authorized officer

Jason P. Salce

Telephone No. (571) 272-7301