



- (51) International Patent Classification:
E21B 19/14 (2006.01)
- (21) International Application Number:
PCT/US2012/024415
- (22) International Filing Date:
9 February 2012 (09.02.2012)
- (25) Filing Language: English
- (26) Publication Language: English
- (30) Priority Data:
61/440,966 9 February 2011 (09.02.2011) US
13/369,044 8 February 2012 (08.02.2012) US
- (71) Applicant (for all designated States except US): NATIONAL OILWELL VARCO, L.P. [US/US]; 7909 Parkwood Circle Drive, Houston, TX 77036 (US).
- (72) Inventors; and
- (75) Inventors/Applicants (for US only): YATER, Ronald, William [US/US]; 18119 Somerset Knoll, Houston, TX 77094 (US). WINTER, Brian, Daniel [US/US]; 8515 Calverton Pines Lane, Houston, TX 77095 (US).
- (74) Agent: AMERSON, J., Mike; Williams, Morgan & Amer- son, P.C., 10333 Richmond, Suite 1100, Houston, TX 77042 (US).

(81) Designated States (unless otherwise indicated, for every kind of national protection available): AE, AG, AL, AM, AO, AT, AU, AZ, BA, BB, BG, BH, BR, BW, BY, BZ, CA, CH, CL, CN, CO, CR, CU, CZ, DE, DK, DM, DO, DZ, EC, EE, EG, ES, FI, GB, GD, GE, GH, GM, GT, HN, HR, HU, ID, IL, IN, IS, JP, KE, KG, KM, KN, KP, KR, KZ, LA, LC, LK, LR, LS, LT, LU, LY, MA, MD, ME, MG, MK, MN, MW, MX, MY, MZ, NA, NG, NI, NO, NZ, OM, PE, PG, PH, PL, PT, QA, RO, RS, RU, RW, SC, SD, SE, SG, SK, SL, SM, ST, SV, SY, TH, TJ, TM, TN, TR, TT, TZ, UA, UG, US, UZ, VC, VN, ZA, ZM, ZW.

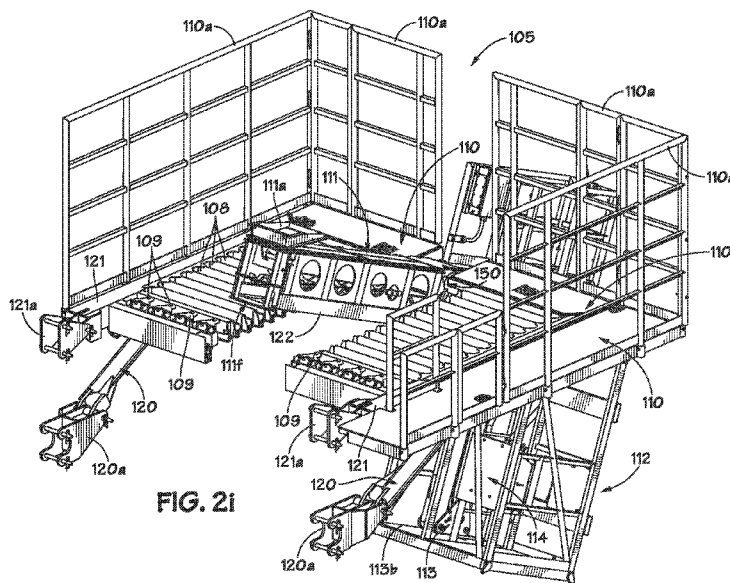
(84) Designated States (unless otherwise indicated, for every kind of regional protection available): ARIPO (BW, GH, GM, KE, LR, LS, MW, MZ, NA, RW, SD, SL, SZ, TZ, UG, ZM, ZW), Eurasian (AM, AZ, BY, KG, KZ, MD, RU, TJ, TM), European (AL, AT, BE, BG, CH, CY, CZ, DE, DK, EE, ES, FI, FR, GB, GR, HR, HU, IE, IS, IT, LT, LU, LV, MC, MK, MT, NL, NO, PL, PT, RO, RS, SE, SI, SK, SM, TR), OAPI (BF, BJ, CF, CG, CI, CM, GA, GN, GQ, GW, ML, MR, NE, SN, TD, TG).

Published:

- with international search report (Art. 21(3))
- before the expiration of the time limit for amending the claims and to be republished in the event of receipt of amendments (Rule 48.2(h))

[Continued on next page]

(54) Title: IMPACT ABSORBING ACCESS PLATFORM FOR DRILLING STRUCTURES



(88) Date of publication of the international search report:
1 August 2013

INTERNATIONAL SEARCH REPORT

International application No

PCT/US2012/024415

A. CLASSIFICATION OF SUBJECT MATTER

INV. E21B19/14
ADD.

According to International Patent Classification (IPC) or to both national classification and IPC

B. FIELDS SEARCHED

Minimum documentation searched (classification system followed by classification symbols)
E21B

Documentation searched other than minimum documentation to the extent that such documents are included in the fields searched

Electronic data base consulted during the international search (name of data base and, where practicable, search terms used)

EPO-Internal, WPI Data

C. DOCUMENTS CONSIDERED TO BE RELEVANT

Category*	Citation of document, with indication, where appropriate, of the relevant passages	Relevant to claim No.
X	US 2006/104747 A1 (ZAHN BALDWIN E [US] ET AL) 18 May 2006 (2006-05-18) paragraph [0045]; figure 2 -----	1-53
A	US 4 440 262 A (HUNT HARLEY L [US] ET AL) 3 April 1984 (1984-04-03) column 3, line 4 - line 13; figure 2 -----	1-53
A	US 3 805 902 A (STORM J ET AL) 23 April 1974 (1974-04-23) column 5, line 31 - line 33; figure 3 -----	1-53
A	US 2009/257848 A1 (STROSHEIN WILLIAM JOHN [CA] ET AL) 15 October 2009 (2009-10-15) paragraph [0069]; figure 4 -----	1-53

Further documents are listed in the continuation of Box C.

See patent family annex.

* Special categories of cited documents :

"A" document defining the general state of the art which is not considered to be of particular relevance

"E" earlier application or patent but published on or after the international filing date

"L" document which may throw doubts on priority claim(s) or which is cited to establish the publication date of another citation or other special reason (as specified)

"O" document referring to an oral disclosure, use, exhibition or other means

"P" document published prior to the international filing date but later than the priority date claimed

"T" later document published after the international filing date or priority date and not in conflict with the application but cited to understand the principle or theory underlying the invention

"X" document of particular relevance; the claimed invention cannot be considered novel or cannot be considered to involve an inventive step when the document is taken alone

"Y" document of particular relevance; the claimed invention cannot be considered to involve an inventive step when the document is combined with one or more other such documents, such combination being obvious to a person skilled in the art

"&" document member of the same patent family

Date of the actual completion of the international search

16 May 2013

Date of mailing of the international search report

28/05/2013

Name and mailing address of the ISA/

European Patent Office, P.B. 5818 Patentlaan 2
NL - 2280 HV Rijswijk
Tel. (+31-70) 340-2040,
Fax: (+31-70) 340-3016

Authorized officer

Strømme, Henrik

INTERNATIONAL SEARCH REPORT

Information on patent family members

International application No

PCT/US2012/024415

Patent document cited in search report	Publication date	Patent family member(s)	Publication date	
US 2006104747	A1	18-05-2006	BR PI0515536 A	29-07-2008
			CA 2580709 A1	09-11-2006
			US 2006104747 A1	18-05-2006
			WO 2006118597 A2	09-11-2006

US 4440262	A	03-04-1984	CA 1207122 A1	08-07-1986
			US 4440262 A	03-04-1984

US 3805902	A	23-04-1974	CA 985265 A1	09-03-1976
			US 3805902 A	23-04-1974

US 2009257848	A1	15-10-2009	NONE	
