



US00D629243S

(12) **United States Design Patent**
Meyl et al.

(10) **Patent No.:** **US D629,243 S**

(45) **Date of Patent:** **** Dec. 21, 2010**

(54) **BEVERAGE MAKER**

(75) Inventors: **Hendrik Sebastian Meyl**, Munich (DE);
Matthis Hamann, Munich (DE);
Roman Gebhard, Munich (DE)

(73) Assignee: **Hendrik Meyl**, Munich (DE)

(**) Term: **14 Years**

(21) Appl. No.: **29/357,189**

(22) Filed: **Mar. 9, 2010**

(51) **LOC (9) Cl.** **07-01**

(52) **U.S. Cl.** **D7/305; D7/507; D7/533**

(58) **Field of Classification Search** **D7/300,**
D7/306-311, 305, 507, 510, 533, 536; 99/291,
99/280, 323, 290, 295, 284, 305; D20/5

See application file for complete search history.

(56) **References Cited**

U.S. PATENT DOCUMENTS

D89,364 S	2/1933	Teague	
2,365,269 A *	12/1944	Hill, Jr.	99/305
D204,152 S *	3/1966	Knodt	D7/310
3,985,069 A *	10/1976	Cavalluzzi	99/295
D268,889 S *	5/1983	Bowen et al.	D7/309
4,577,080 A *	3/1986	Grossman	219/689
4,715,271 A *	12/1987	Kitagawa	99/306
4,739,696 A *	4/1988	Sheen	99/279

4,756,915 A *	7/1988	Dobry	426/234
D312,744 S	12/1990	Jorgensen	
4,977,820 A *	12/1990	Lin	99/323
D325,844 S *	5/1992	Betts	D7/310
5,185,505 A *	2/1993	Grzywana	219/689
D335,421 S *	5/1993	Glassen	D7/309
D345,880 S *	4/1994	Classen	D7/305
D352,418 S *	11/1994	Betts et al.	D7/310
D370,588 S *	6/1996	Brookshire et al.	D7/310
D374,369 S *	10/1996	Wilkinson	D7/305
5,632,194 A *	5/1997	Lin	99/285
D386,644 S *	11/1997	Orrico et al.	D7/300
D401,467 S	11/1998	Naft et al.	
5,937,737 A *	8/1999	Karell	99/287

* cited by examiner

Primary Examiner—Marianne Pandozzi

(57) **CLAIM**

The ornamental design for a beverage maker, as shown.

DESCRIPTION

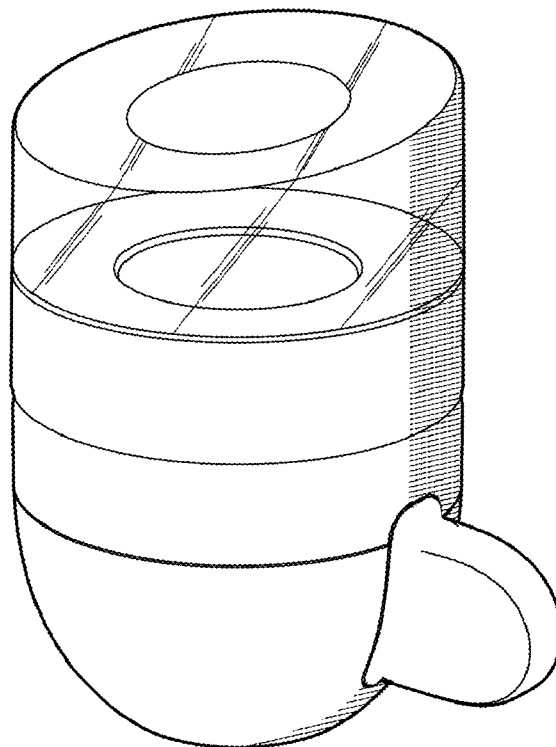
FIG. 1 shows the left side view of the beverage maker showing the new design;

FIG. 2 is a front elevational view thereof;

FIG. 3 shows the top view thereof; and,

FIG. 4 shows a perspective view thereof.

1 Claim, 1 Drawing Sheet



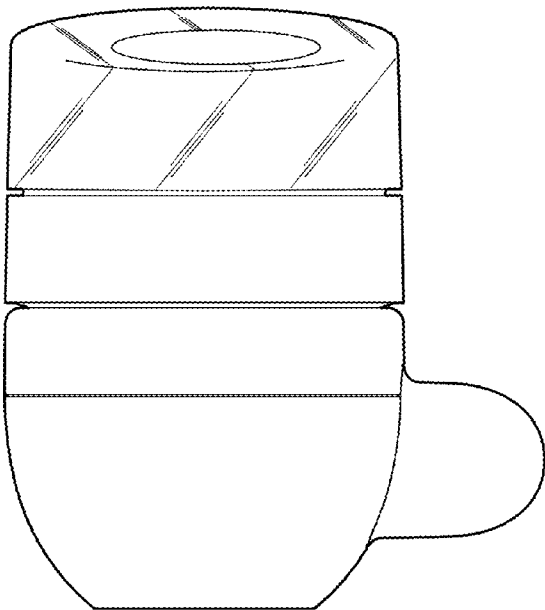


Fig. 1

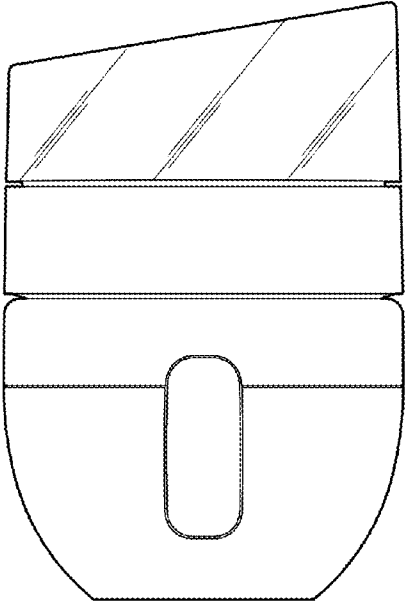


Fig. 2

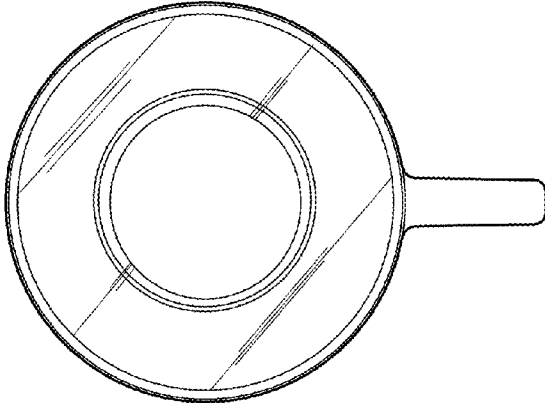


Fig. 3

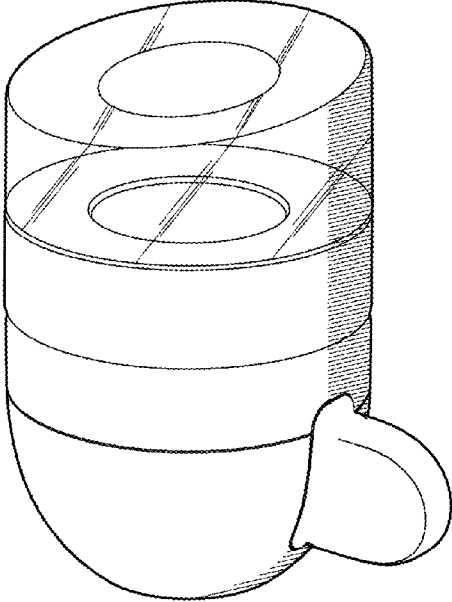


Fig. 4