



(12) **United States Design Patent**
Machael et al.

(10) **Patent No.:** **US D558,994 S**
(45) **Date of Patent:** **** Jan. 8, 2008**

(54) **CHAIR**

(75) Inventors: **Jay R. Machael**, Muscatine, IA (US);
John Koch, Muscatine, IA (US);
Marcus C. Koepke, Indianapolis, IN (US)

(73) Assignee: **HNI Corporation**, Muscatine, IA (US)

(**) Term: **14 Years**

(21) Appl. No.: **29/256,802**

(22) Filed: **Mar. 24, 2006**

(51) **LOC (8) CL.** **06-01**

(52) **U.S. CL.** **D6/366**

(58) **Field of Classification Search** D6/364-368,
D6/334-336, 374-376, 379-380, 498, 500-502;
297/301.1, 313, 353, 354.1, 411.2, 411.25,
297/411.27, 411.36, 411.38, 445.1, 451.1,
297/446.1, 452.33, 452.35, 452.48, 463.1

See application file for complete search history.

(56) **References Cited**

U.S. PATENT DOCUMENTS

- D247,463 S * 3/1978 Muller-Deisig D6/366
- D260,330 S * 8/1981 Ruf D6/366
- D273,249 S * 4/1984 Pettitt D6/366
- D274,869 S 7/1984 Aronowitz et al.
- D279,153 S 6/1985 Aronowitz et al.
- D320,507 S 10/1991 Shields
- D348,570 S 7/1994 Scheper et al.
- D354,631 S 1/1995 Orlandini et al.
- 5,755,488 A 5/1998 Beda et al.
- 5,772,282 A 6/1998 Stumpf et al.
- D402,481 S 12/1998 Neil
- D403,518 S 1/1999 Wilson
- 6,035,901 A 3/2000 Stumpf et al.
- D462,549 S 9/2002 Chu
- 6,523,898 B1 2/2003 Ball et al.
- D471,024 S * 3/2003 Chadwick et al. D6/366
- 6,572,190 B2 6/2003 Koepke et al.

- 6,588,842 B2 7/2003 Stumpf et al.
- 6,609,755 B2 8/2003 Koepke et al.
- 6,688,692 B2 2/2004 Phillips et al.
- 6,722,741 B2 4/2004 Stumpf et al.
- 6,729,691 B2 5/2004 Koepke et al.
- 6,935,689 B2 8/2005 Horiki et al.
- D509,671 S * 9/2005 Olson et al. 433/1
- D509,969 S * 9/2005 Loew et al. D6/366
- 6,959,965 B2 11/2005 Diffrient
- 6,966,604 B2 11/2005 Stumpf et al.
- 6,981,743 B2 1/2006 Edwards et al.
- 6,991,291 B2 1/2006 Knoblock et al.
- D517,820 S * 3/2006 Citterio D6/366
- 7,097,249 B2 8/2006 Igarashi et al.
- 2004/0017102 A1 1/2004 Igarashi et al.
- 2006/0238009 A1 10/2006 Igarashi et al.

FOREIGN PATENT DOCUMENTS

- JP 2004/049658 2/2004
- JP 2004/049691 2/2004

* cited by examiner

Primary Examiner—Caron D. Veynar

Assistant Examiner—Abraham Bahta

(74) *Attorney, Agent, or Firm*—Faegre & Benson, LLP

(57) **CLAIM**

The ornamental design for a chair, as shown and described.

DESCRIPTION

FIG. 1 is a perspective view of a chair embodying our design;

FIG. 2 is a front view of a chair embodying our design;

FIG. 3 is a left side view of a chair embodying our design;

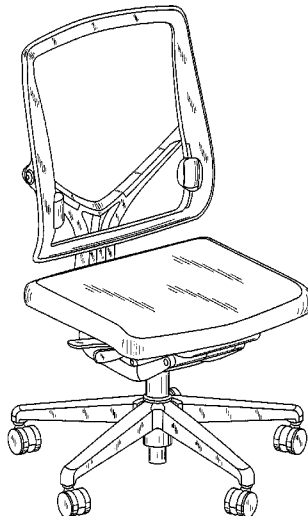
FIG. 4 is a rear view of a chair embodying our design;

FIG. 5 is a right side view of a chair embodying our design;

FIG. 6 is a top view of a chair embodying our design; and,

FIG. 7 is a bottom view of a chair embodying our design.

1 Claim, 7 Drawing Sheets



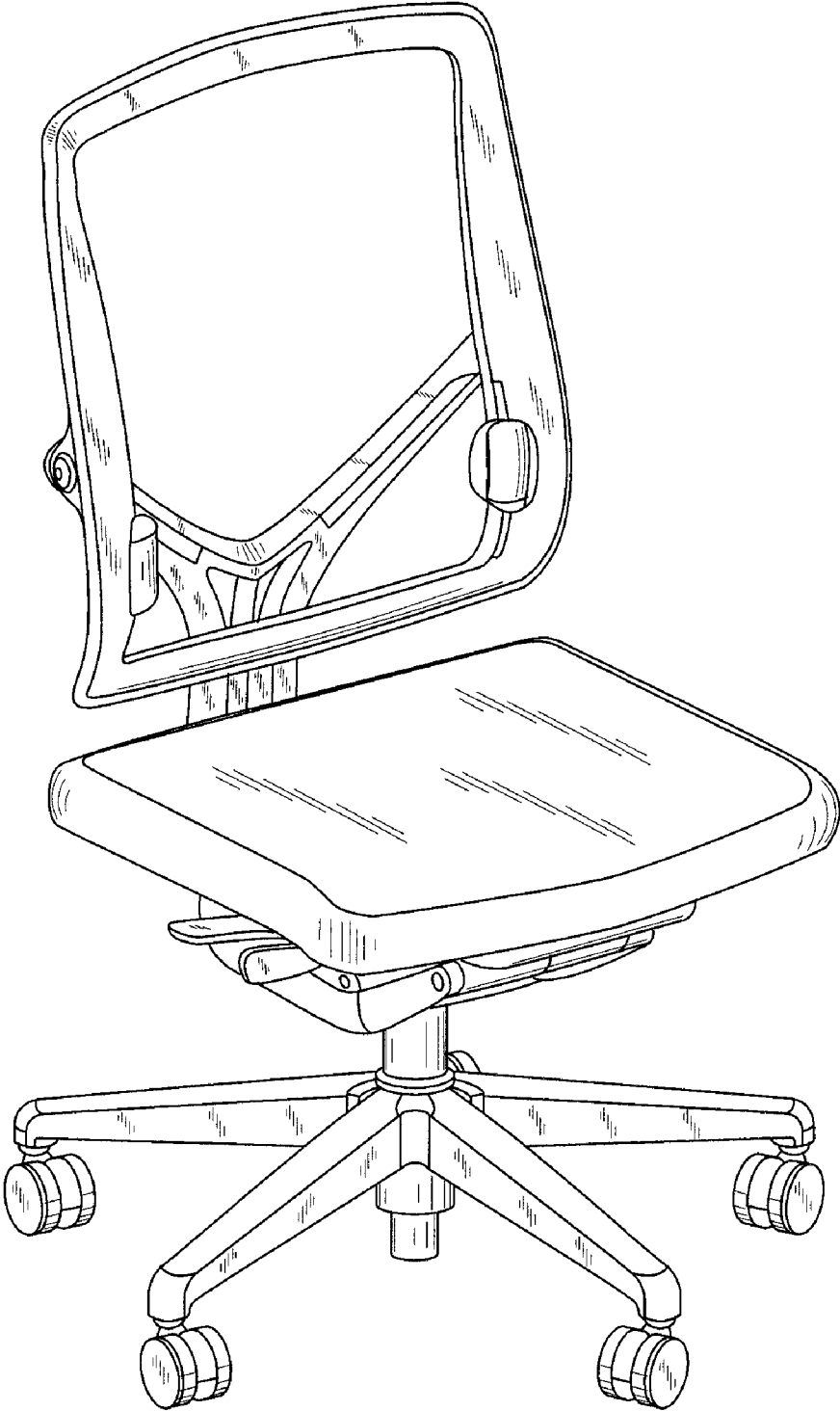


FIG. 1

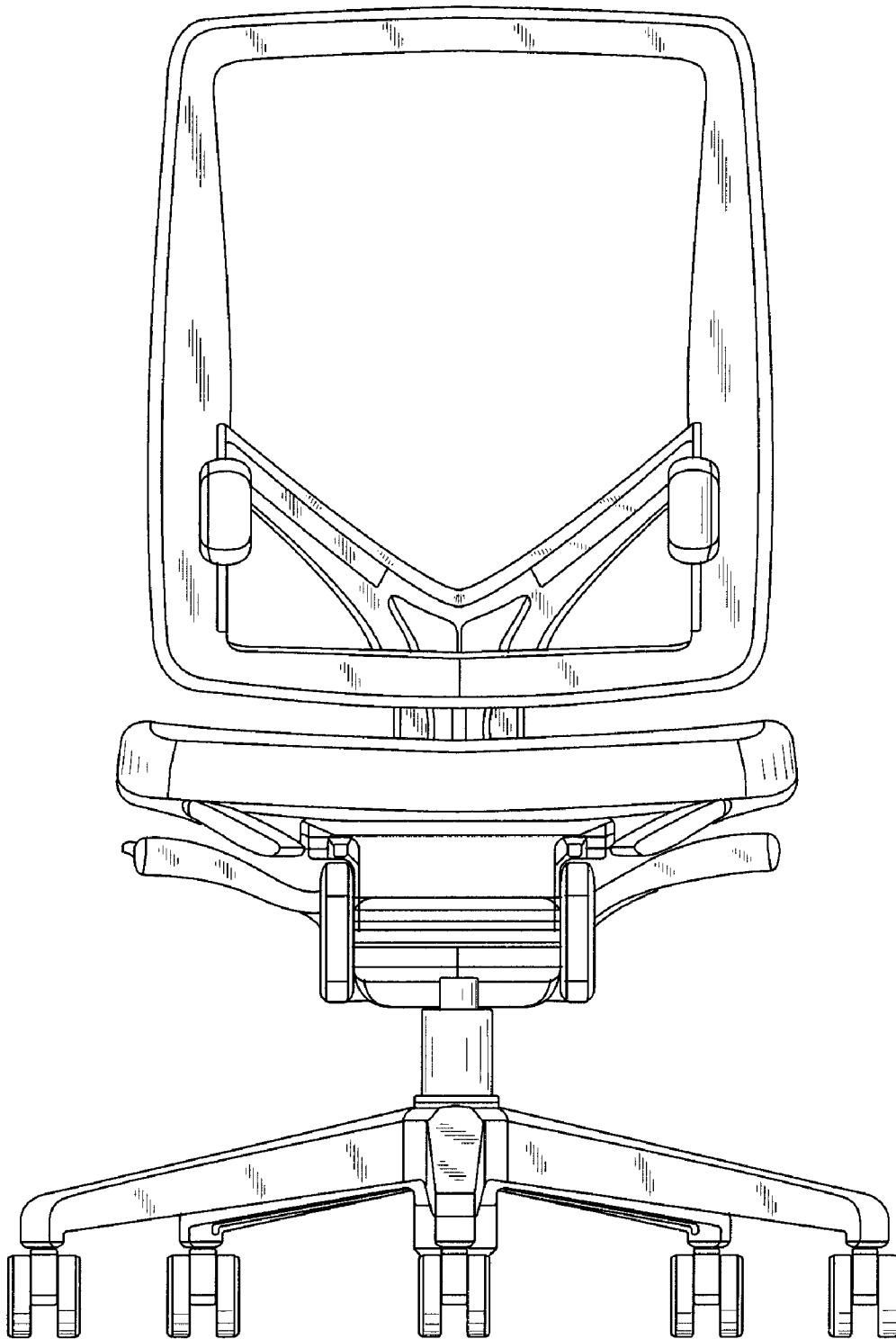


FIG. 2

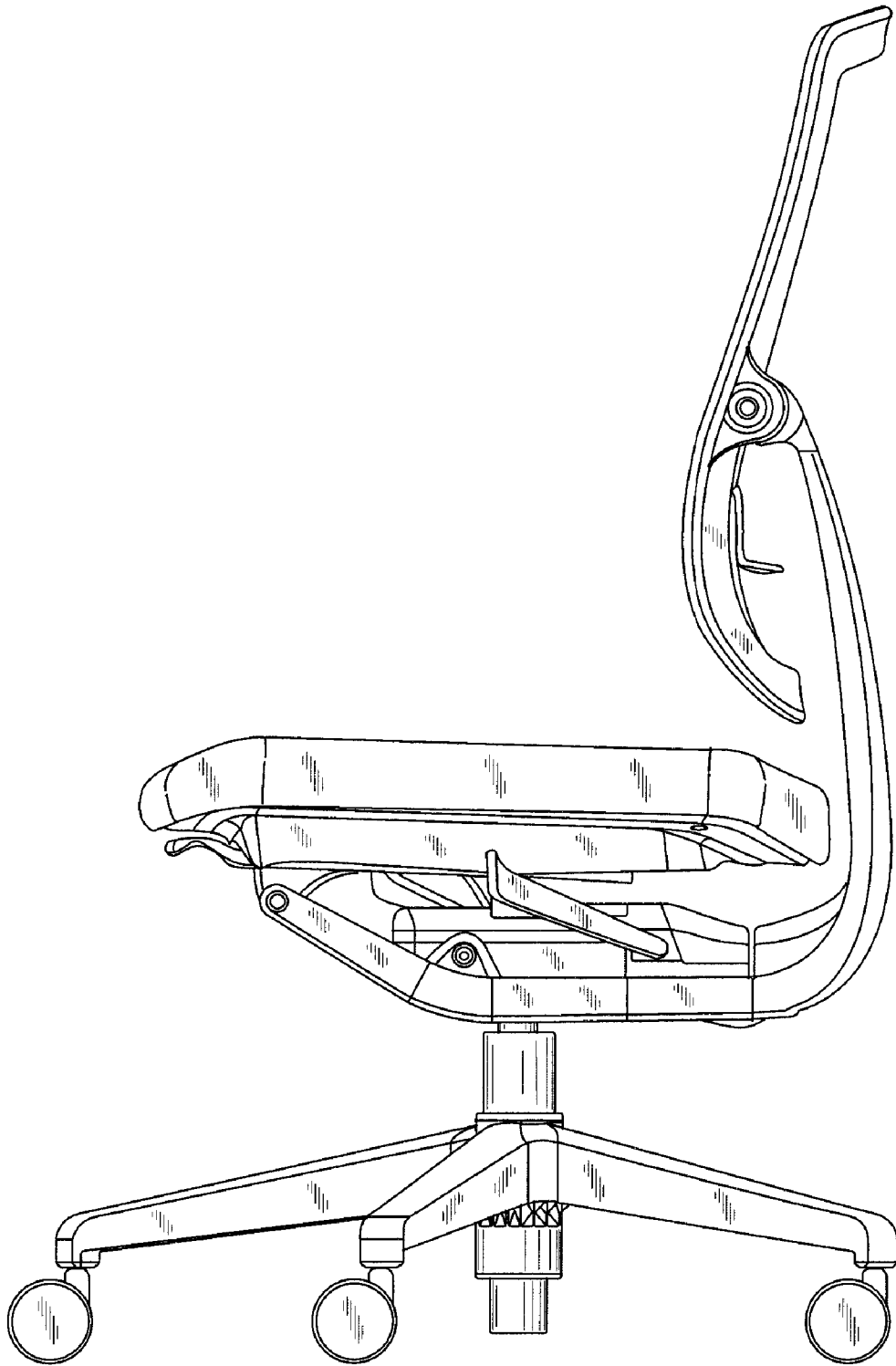


FIG. 3

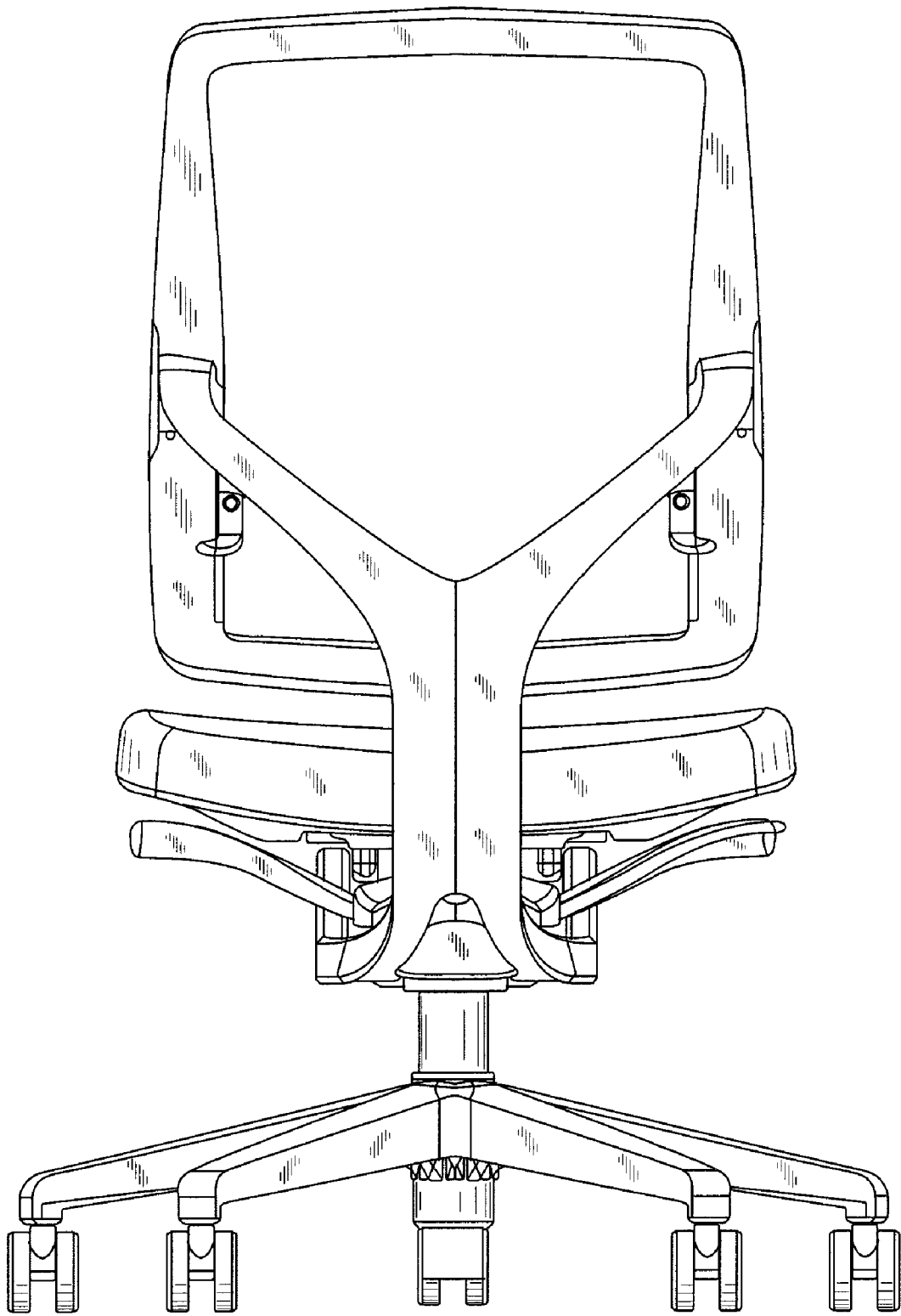


FIG. 4

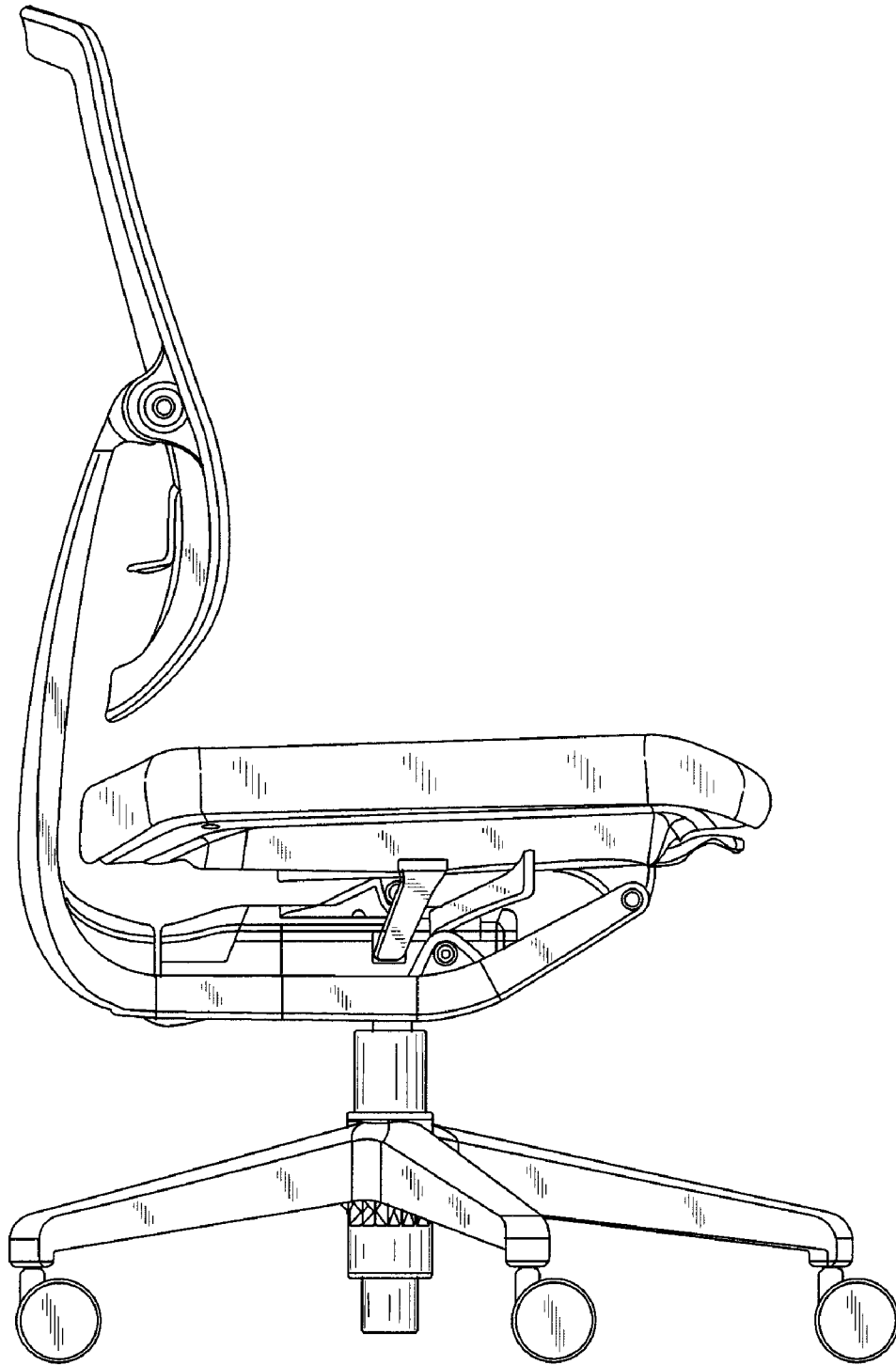


FIG. 5

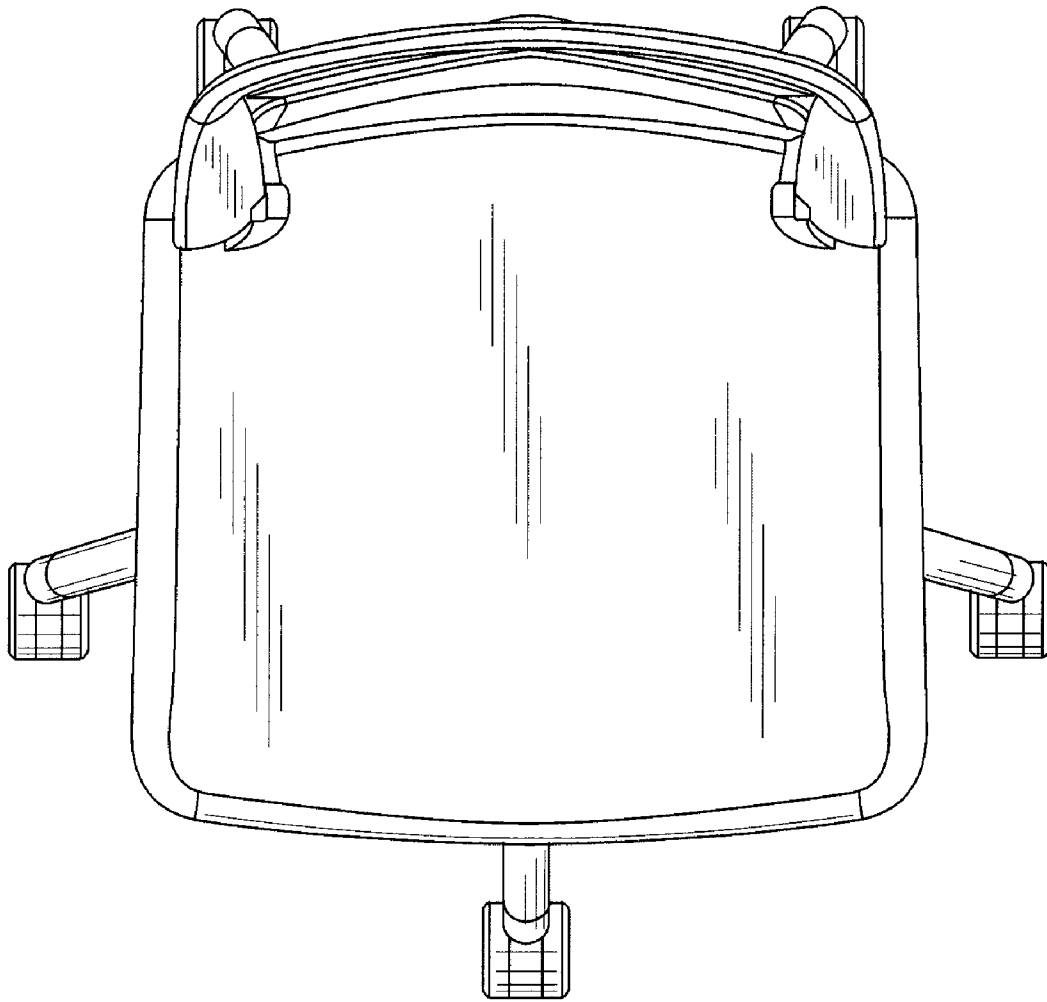


FIG. 6

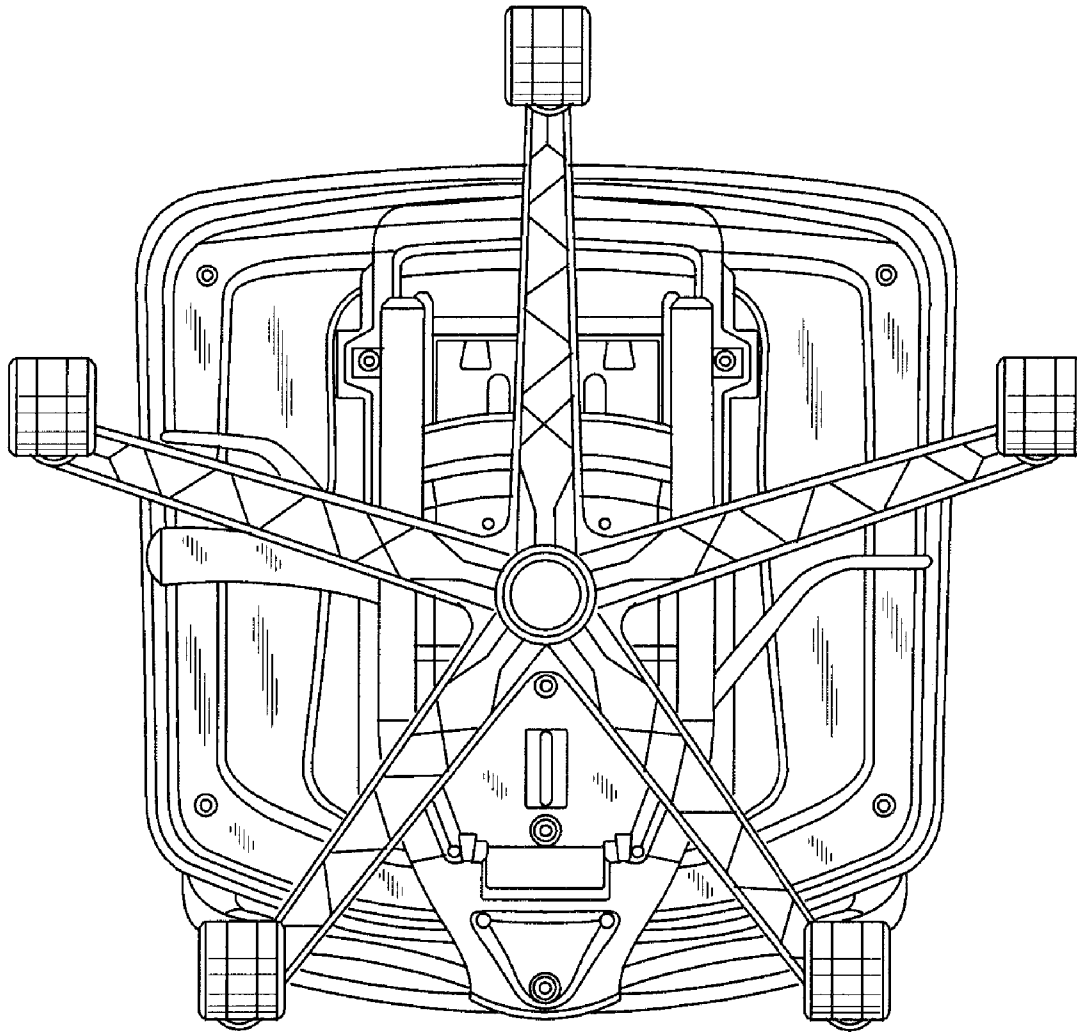


FIG. 7