



US00D419656S

United States Patent [19]
Lindholm

[11] **Patent Number: Des. 419,656**
[45] **Date of Patent: ** Jan. 25, 2000**

[54] **SINK BASIN**

D. 387,857 12/1997 McKeone D23/284
D. 391,353 2/1998 McKeone D23/284
D. 394,307 5/1998 Wagner D23/285

[76] Inventor: **Jon Lindholm**, c/o Studio Lindholm,
The Tower Bldg., 1608 N. Milwaukee
Ave., Chicago, Ill. 60647

Primary Examiner—Eric Watterson
Attorney, Agent, or Firm—Brian M. Mattson; Patents &
TMS, P.C.

[**] Term: **14 Years**

[21] Appl. No.: **29/099,244**

[57] **CLAIM**

[22] Filed: **Jan. 19, 1999**

The ornamental design for a sink basin, as shown.

[51] **LOC (7) Cl.** **23-02**

DESCRIPTION

[52] **U.S. Cl.** **D23/285**

FIG. 1 is a top perspective view of a sink basin, showing my new design;

[58] **Field of Search** D23/284–293.1;
4/619, 624, 625, 626, 638–650

FIG. 2 is front view thereof;

FIG. 3 is a rear view thereof;

FIG. 4 is a top plan view thereof;

FIG. 5 is a right side view thereof; and,

FIG. 6 is a left side view thereof.

[56] **References Cited**

U.S. PATENT DOCUMENTS

D. 243,325 2/1977 Krause et al. D23/285
D. 319,682 9/1991 Sharp et al. D23/201
D. 326,903 6/1992 Reid D23/284
D. 347,053 5/1994 Reid D23/285
D. 375,543 11/1996 Wagner D23/285

The broken line showing is for illustrative purposes only and forms no part of the claimed design.

1 Claim, 2 Drawing Sheets

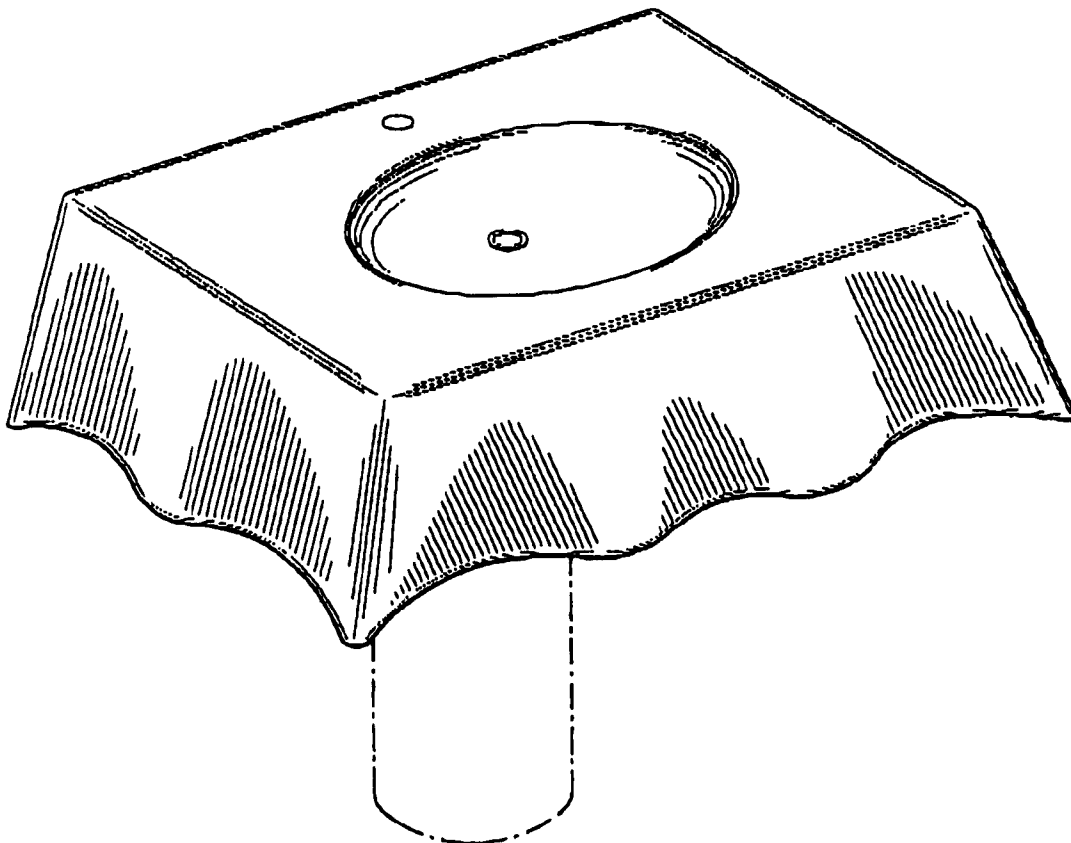


FIG.1

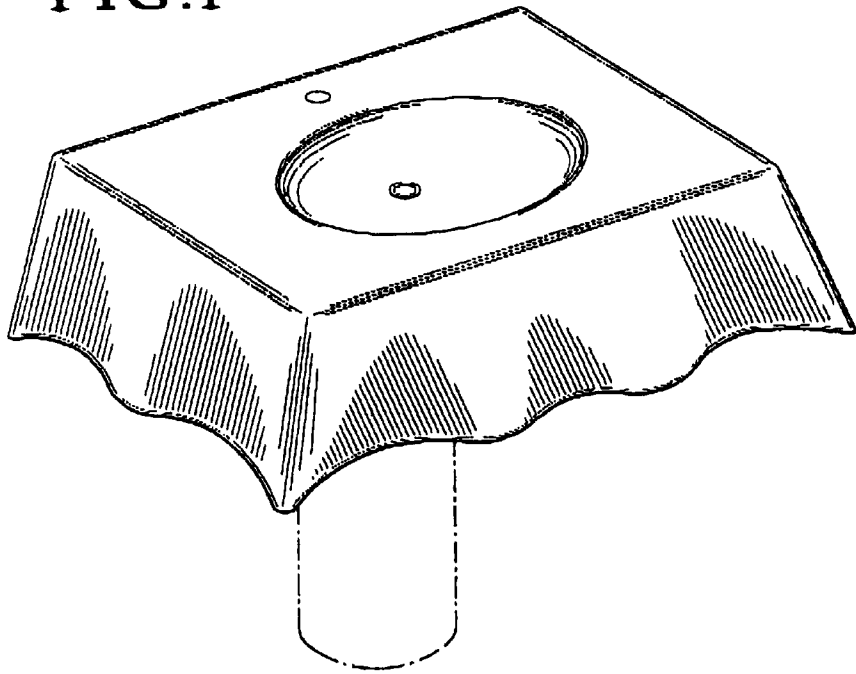


FIG. 2

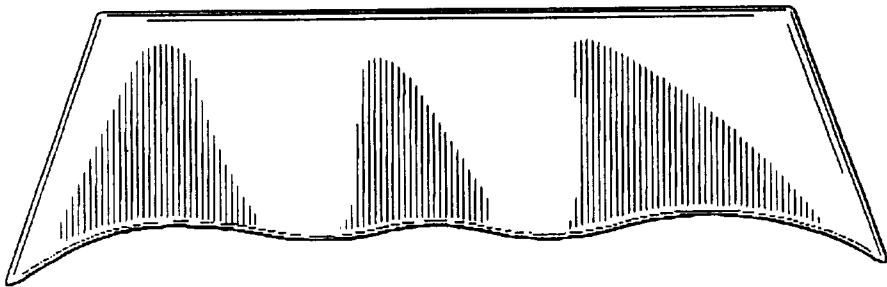


FIG. 3

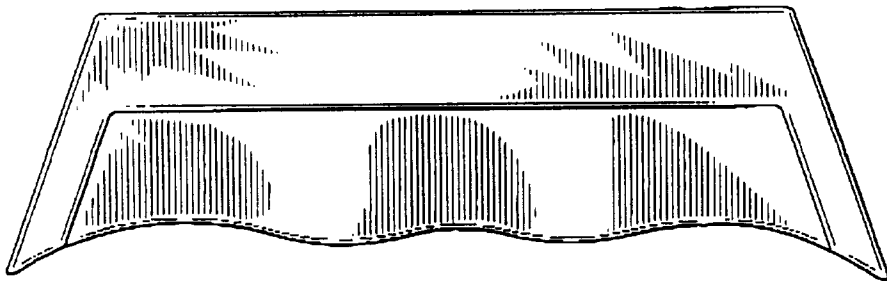


FIG. 4

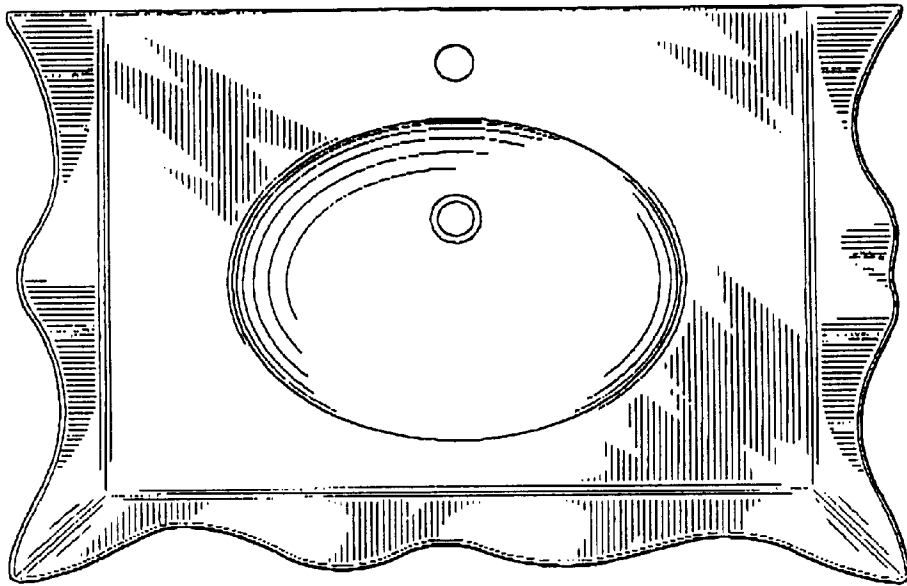


FIG. 5

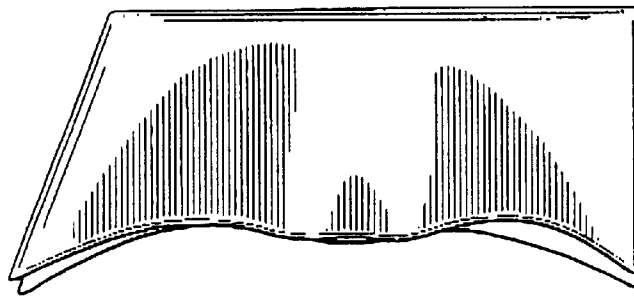


FIG. 6

