



US00D998024S

(12) **United States Design Patent**
Boinnard et al.

(10) **Patent No.:** **US D998,024 S**
(45) **Date of Patent:** **** Sep. 5, 2023**

(54) **PAIR OF SIDE SHIELDS FOR EYEWEAR**

FOREIGN PATENT DOCUMENTS

(71) Applicant: **100% Speedlab, LLC**, San Diego, CA (US)

EM 008818538-0003 * 1/2022
GB 6186085 * 1/2022
TW 222315-0001 * 12/2022

(72) Inventors: **Ludovic Francis Boinnard**, San Diego, CA (US); **Marc Guy Blanchard**, Solana Beach, CA (US); **Jerome Jacques Marie Mage**, San Diego, CA (US); **Jamie D. Oman**, San Diego, CA (US)

OTHER PUBLICATIONS

100% Norvik Oct. 4, 2022 Performance Sunglasses, available in Amazon.com, date first available Oct. 4, 2022 [online], [site visited Apr. 18, 2023], Available from the internet URL: <https://www.amazon.com/100-Norvik-Performance-Sunglasses-Crystal/dp/B09M1M5KXL> (Year: 2022).*

(73) Assignee: **100% SPEEDLAB, LLC**, San Diego, CA (US)

Primary Examiner — Amy C Wierenga
Assistant Examiner — Angel R Marrero-Arce
(74) *Attorney, Agent, or Firm* — Kolitch Romano Dascenzo Gates LLC

(**) Term: **15 Years**

(21) Appl. No.: **29/799,696**

(57) **CLAIM**

(22) Filed: **Jul. 15, 2021**

The ornamental design for a pair of side shields for eyewear, as shown and described.

(51) **LOC (14) Cl.** **16-06**

(52) **U.S. Cl.**

USPC **D16/300; D16/330; D16/337**

(58) **Field of Classification Search**

USPC D16/100–101, 300–330, 332–342; D29/106–107, 110

CPC A61F 9/00; A61F 9/02; A61F 9/04; G02C 1/00; G02C 1/02; G02C 1/04; G02C 1/06; G02C 1/10; G02C 5/00; G02C 5/008; G02C 5/02; G02C 5/10; G02C 5/12; G02C 5/126;

(Continued)

DESCRIPTION

FIG. 1 is a perspective view of the new design for a pair of side shields for eyewear, shown in an example eyewear environment;

FIG. 2 is a front, lateral side perspective view of the left side shield of the Pair of side shields for eyewear of FIG. 1, shown separately from the right side shield for clarity of illustration thereof;

FIG. 3 is a rear, medial side perspective view thereof;

FIG. 4 is a lateral side view thereof;

FIG. 5 is a medial side view thereof;

FIG. 6 is a top view thereof;

FIG. 7 is a bottom view thereof;

FIG. 8 is a front view thereof; and,

FIG. 9 is a rear view thereof.

The broken lines illustrate the example eyewear environment and portions of the pair of side shields for eyewear that form no part of the claimed design.

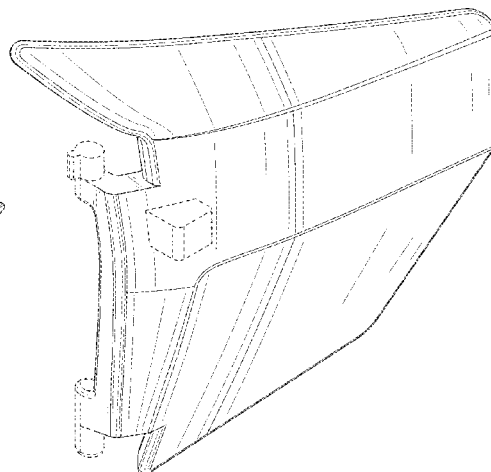
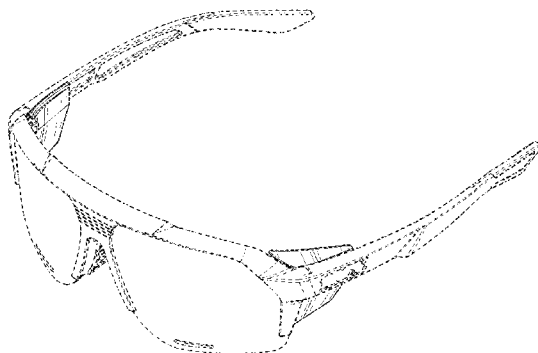
(Continued)

(56) **References Cited**

U.S. PATENT DOCUMENTS

3,436,761 A * 4/1969 Liautaud G02C 11/12 351/44
D392,991 S * 3/1998 Bolle G02C 11/12 D16/337

(Continued)



A left side shield is illustrated in FIGS. 2-9, it being understood that the right side shield is a mirror image thereof.

1 Claim, 7 Drawing Sheets

(58) **Field of Classification Search**

CPC .. G02C 5/14; G02C 5/16; G02C 5/18; G02C
7/00; G02C 7/02; G02C 7/10; G02C
7/16; G02C 11/12

See application file for complete search history.

(56)

References Cited

U.S. PATENT DOCUMENTS

6,393,609	B1 *	5/2002	Simmons, Sr.	A61F 9/025 2/13
D519,146	S *	4/2006	Yasuhara	G02C 11/12 D16/337
D724,647	S *	3/2015	Rohrbach	G02C 5/146 D16/337
D827,016	S *	8/2018	Lin	D16/337
D884,062	S *	5/2020	Thixton	D16/327
2006/0268217	A1 *	11/2006	Teng	G02C 11/12 351/41
2013/0063696	A1 *	3/2013	LaGace	G02C 5/006 351/178
2016/0274382	A1 *	9/2016	Froissard	G02C 11/12
2019/0086688	A1 *	3/2019	Chen	G02C 11/12
2019/0265516	A1 *	8/2019	Chou	G02C 5/146
2020/0133032	A1 *	4/2020	Li	G02C 11/12

* cited by examiner

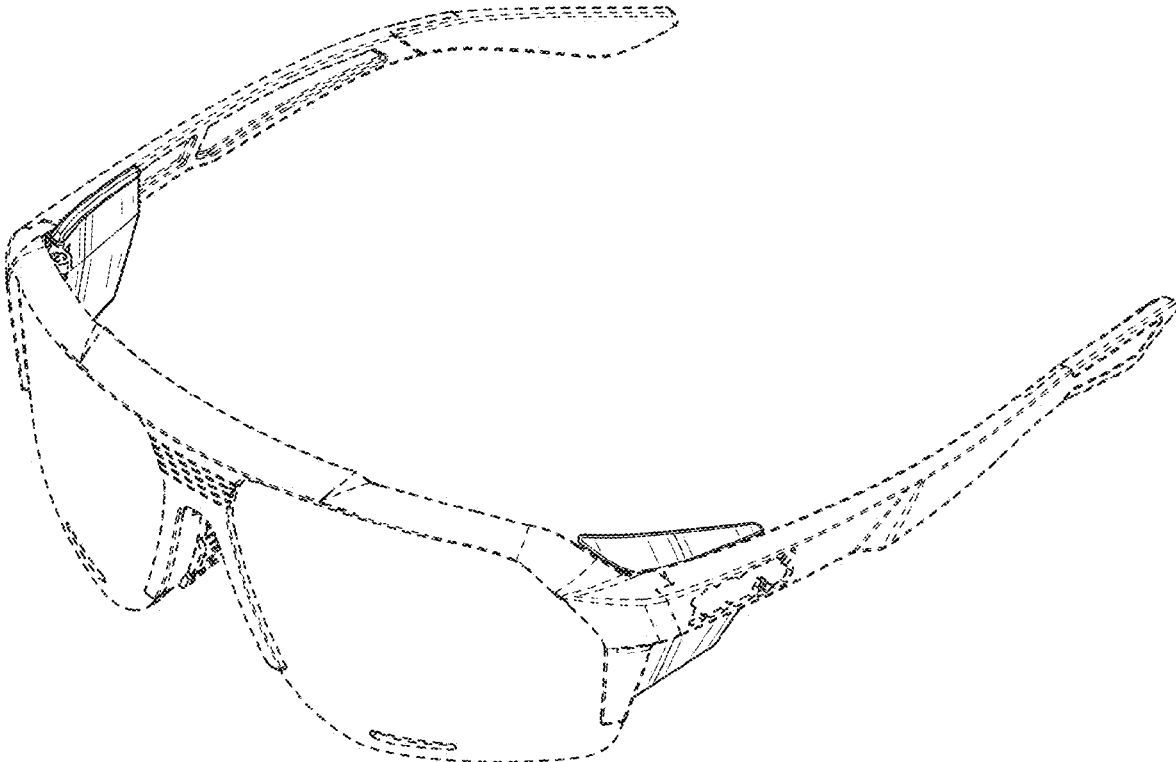


FIG. 1

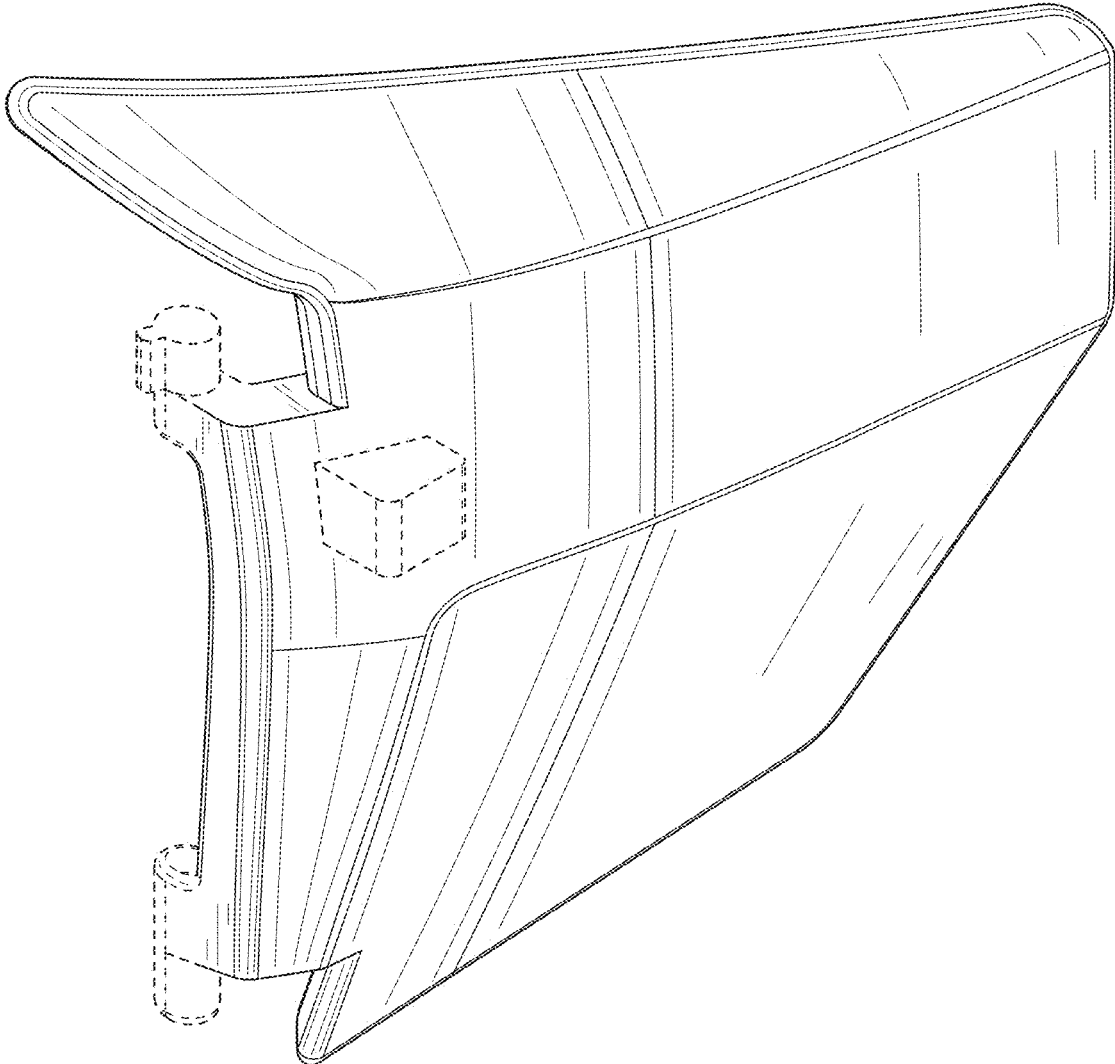


FIG. 2

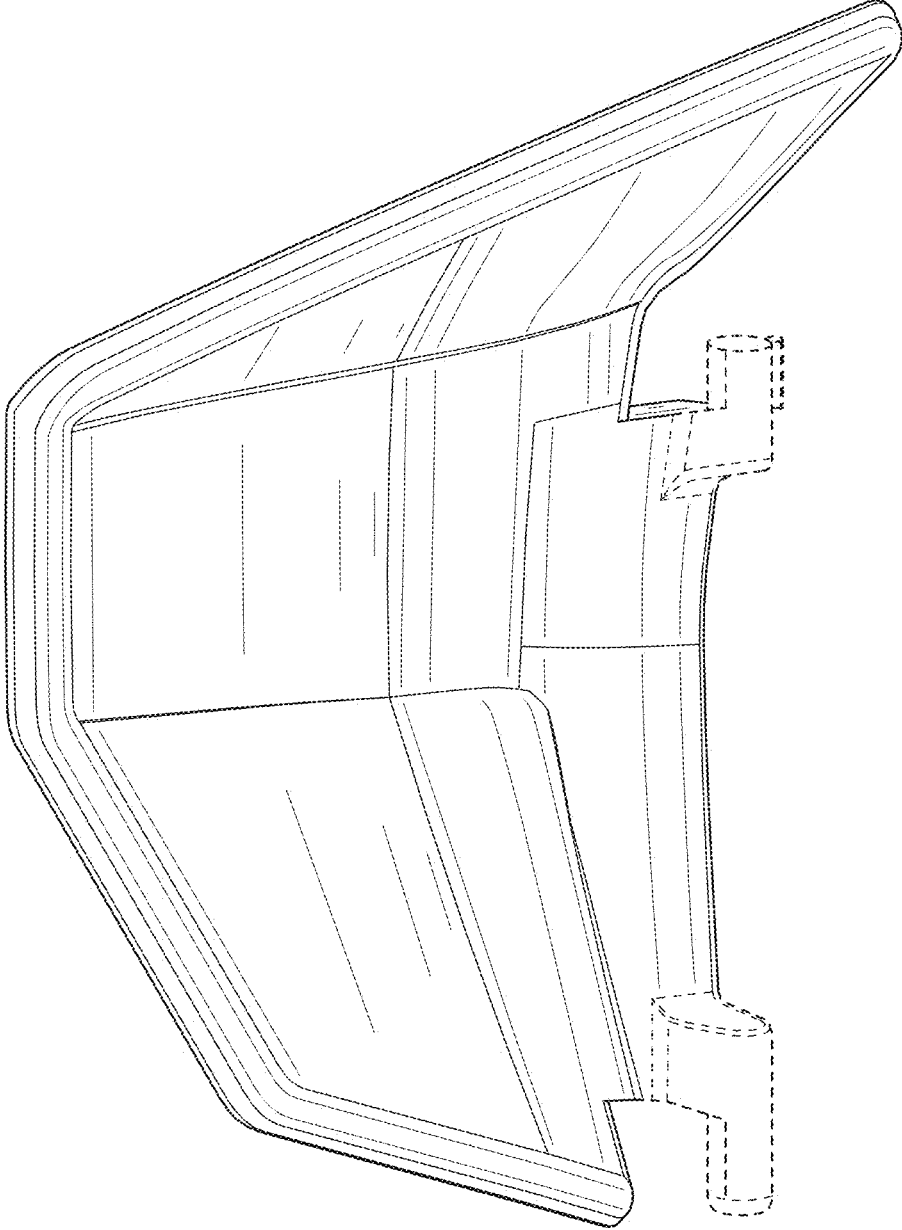


FIG. 3

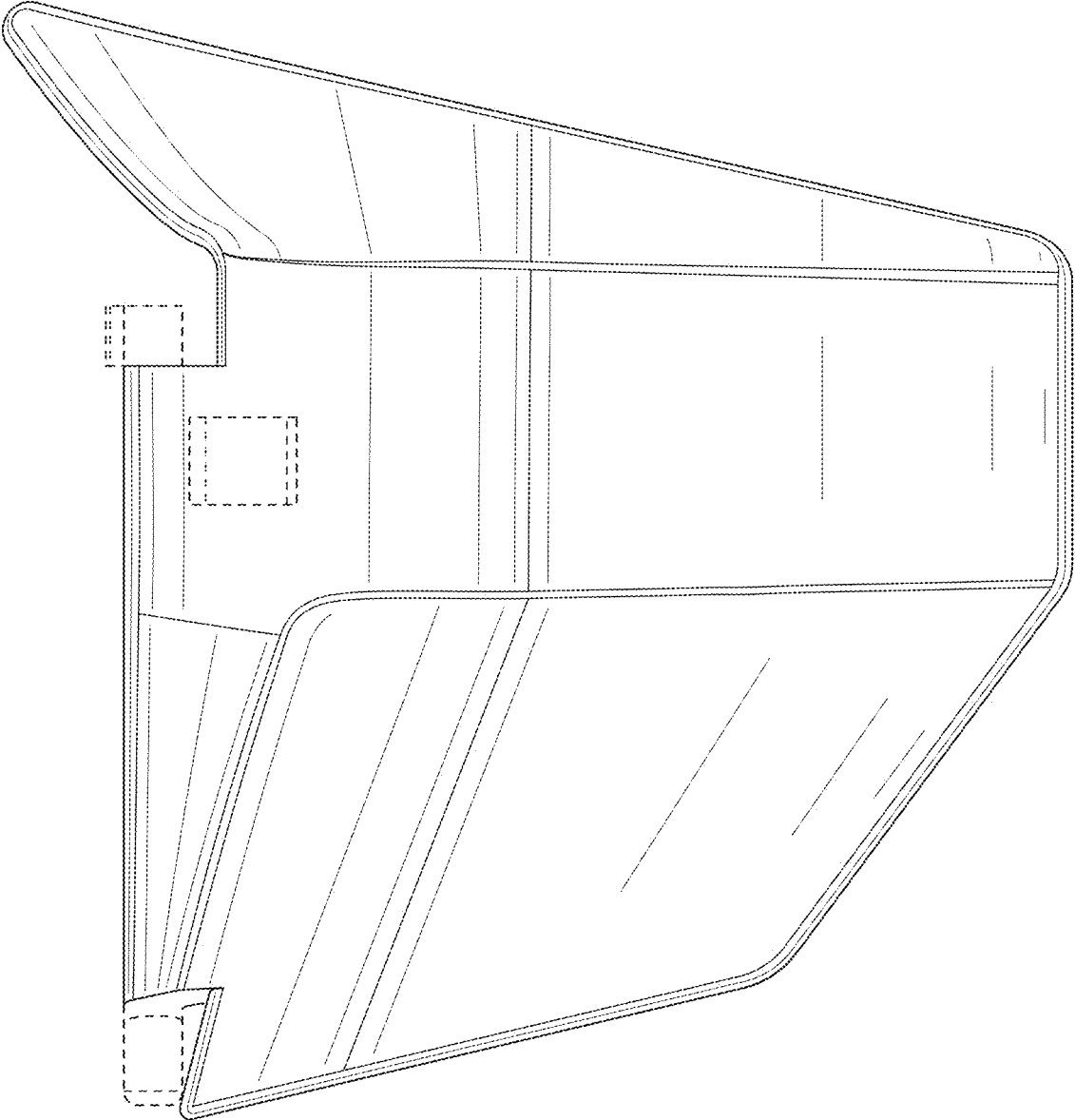


FIG. 4

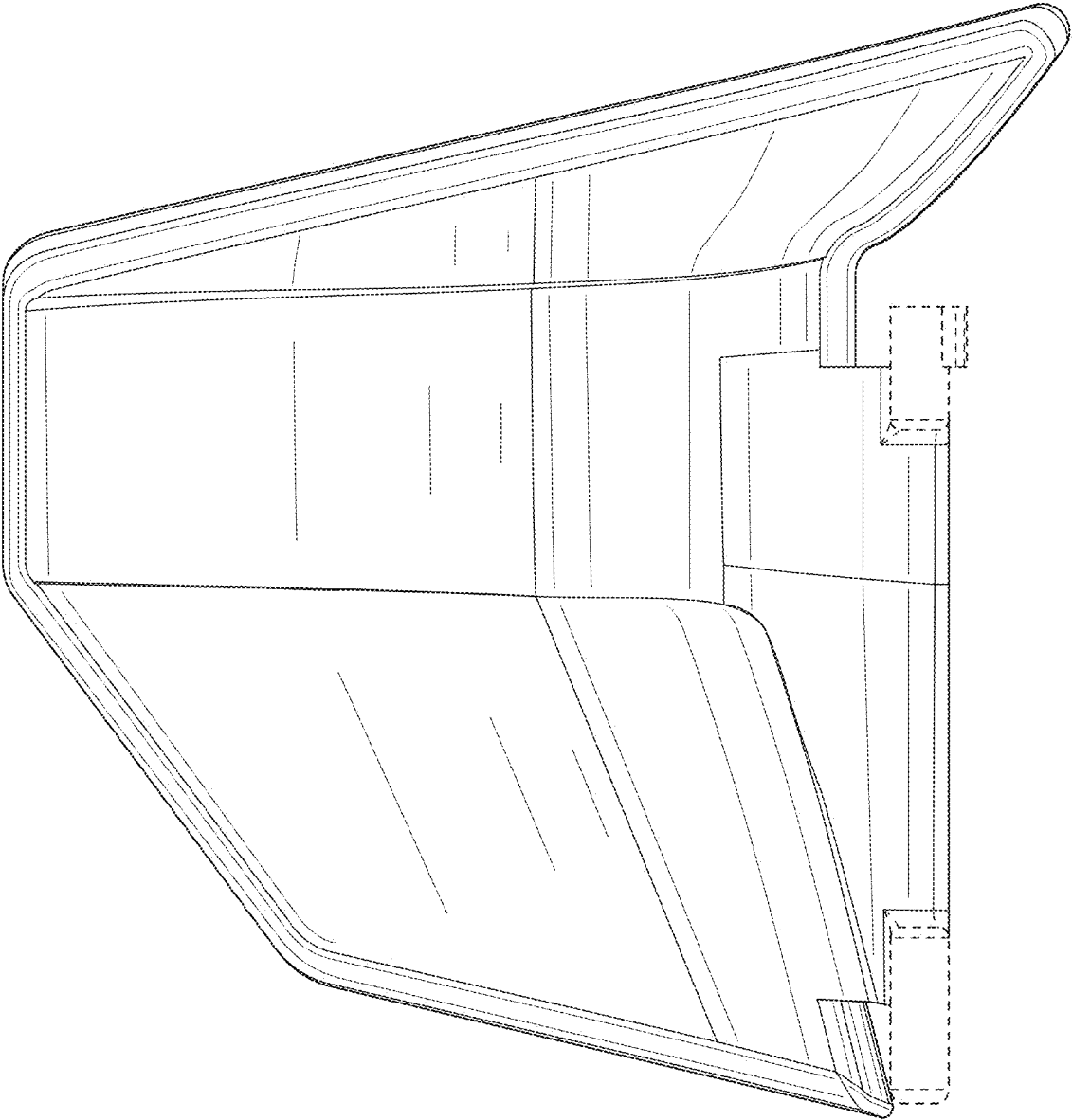


FIG. 5

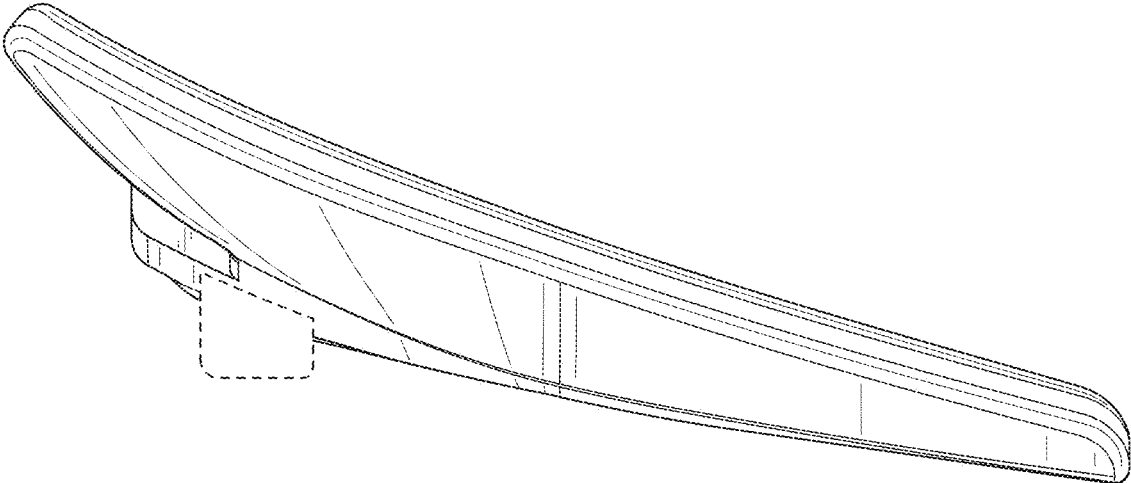


FIG. 6

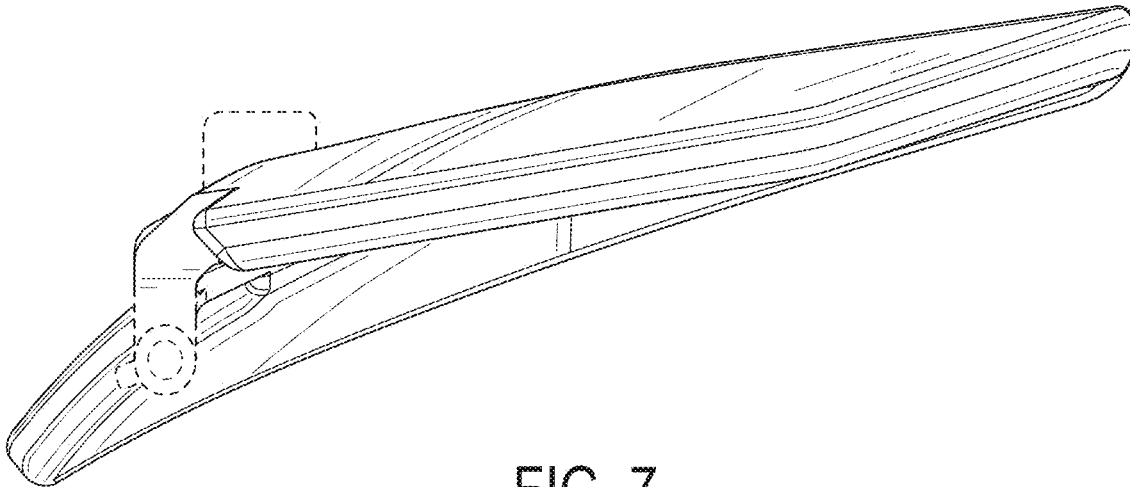


FIG. 7

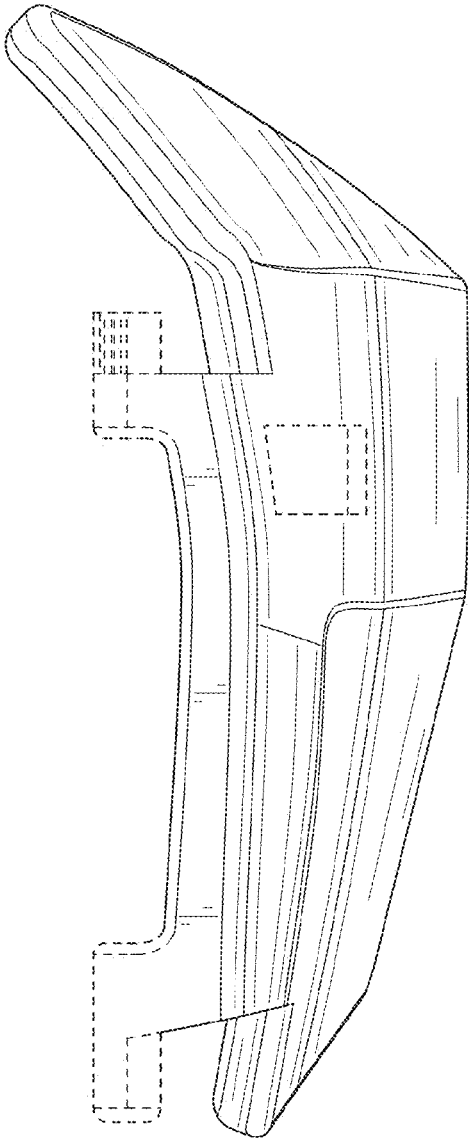


FIG. 8

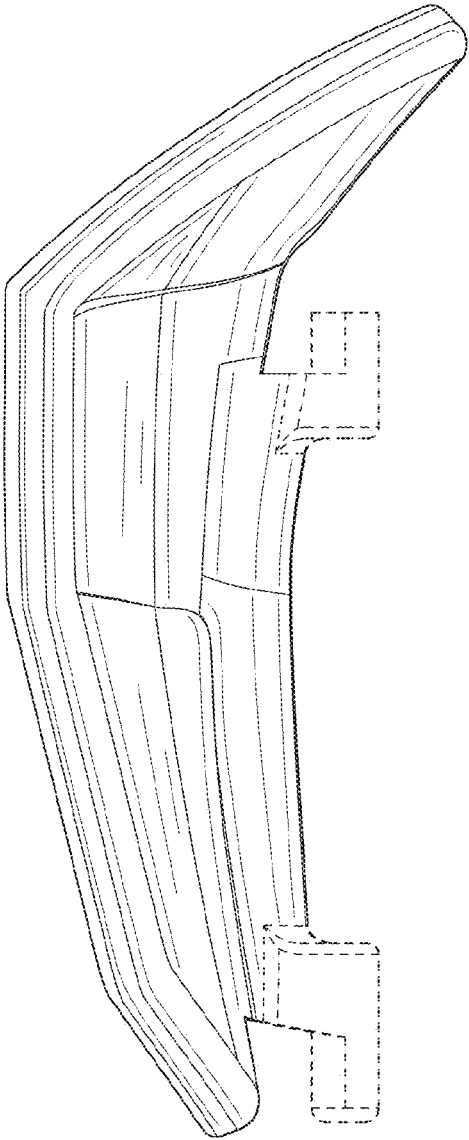


FIG. 9