



US00D543600S

(12) **United States Design Patent** (10) **Patent No.:** **US D543,600 S**
Oldknow (45) **Date of Patent:** **** May 29, 2007**

(54) **PORTION OF A GOLF CLUB HEAD**

- (75) Inventor: **Andrew G. V. Oldknow**, Beaverton, OR (US)
- (73) Assignee: **NIKE, Inc.**, Beaverton, OR (US)
- (**) Term: **14 Years**
- (21) Appl. No.: **29/249,629**
- (22) Filed: **Oct. 13, 2006**

Related U.S. Application Data

- (63) Continuation of application No. 29/248,432, filed on Aug. 16, 2006.
 - (51) **LOC (8) Cl.** **21-02**
 - (52) **U.S. Cl.** **D21/759**
 - (58) **Field of Classification Search** D21/736-746, D21/733, 752, 759; 473/324-331, 340-346, 473/251-256
- See application file for complete search history.

References Cited

U.S. PATENT DOCUMENTS

D229,431 S	11/1973	Baker
D239,187 S	3/1976	Smith
3,975,023 A	8/1976	Inamori

FOREIGN PATENT DOCUMENTS

JP	848069	9/1992
JP	848070	9/1992
JP	862425	3/1993
JP	919615	2/1995
JP	3017932	8/1995
JP	3030545	8/1996
JP	979522	4/1997
JP	1084695	9/2000
JP	1085114	9/2000
JP	1140036	4/2002
JP	848071	9/2002
JP	848082	9/2002

OTHER PUBLICATIONS

- Edwin Watts Golf Catalog Late Spring 2004, pp. 12 and 22.
- Golfsmith Catalog 1996, pp. 48 and 69.
- Golfsmith Mid-Year Catalog 1996, p. 3.
- Golfsmith Catalog 1997, p. 51.
- Edwin Watts Golf Shops Catalog Spring 2000, p. 14.
- Edwin Watts Golf Shops Catalog Late Summer 1998, pp. 21, 34 and 36.
- Edwin Watts Golf Catalog Summer 2003, p. 12.
- Golfsmith Catalog 1998, pp. 47 and 59.
- Internet printout: <http://www.golfmagic.com/news/article/mps/UAN/4883/v/1/sp/>, dated Oct. 10, 2006; 4 pages.
- Internet printout: <http://www.mcx.co.jp/katayama/sq.html>, dated Nov. 6, 2006; 2 pages.
- Internet printout: <http://www.mcx.co.jp/katayama/bdream-.html>, dated Nov. 6, 2006; 2 pages.
- Monomagazine, pp. 105, 1 sheet, dated Jun. 2, 1991.

Primary Examiner—Mitchell Siegel
(74) *Attorney, Agent, or Firm*—Banner & Witcoff, Ltd.

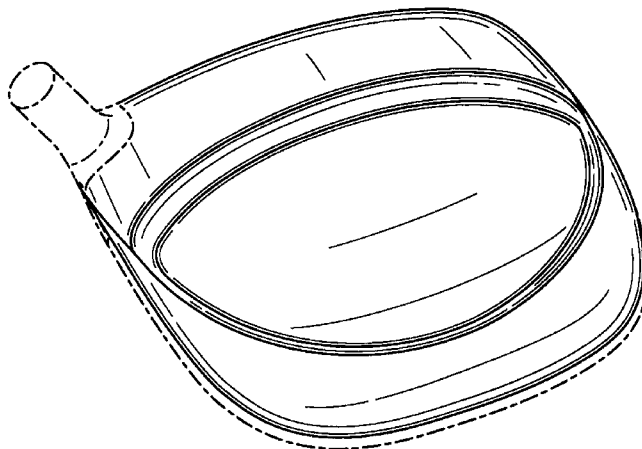
(57) **CLAIM**

The ornamental design for a portion of a golf club head, as shown and described.

DESCRIPTION

FIG. 1 is a top perspective view of a portion of a golf club head showing my new design; FIG. 2 is a front view thereof; FIG. 3 is a rear view thereof; FIG. 4 is a toe end view thereof; FIG. 5 is a heel end view thereof; and, FIG. 6 is a top plan view thereof. The broken line immediately adjacent to the shaded region forms an unclaimed boundary of the design. The broken line showing of the remainder of the golf club head is for illustrative purposes only and forms no part of the claimed design.

1 Claim, 4 Drawing Sheets



US D543,600 S

Page 2

U.S. PATENT DOCUMENTS

4,010,958 A	3/1977	Long		6,602,149 B1	8/2003	Jacobson	
4,021,047 A	5/1977	Mader		6,623,374 B1	9/2003	Helmstetter et al.	
4,828,265 A	5/1989	Antonious		6,648,773 B1	11/2003	Evans	
4,900,029 A	2/1990	Sinclair		D484,937 S	1/2004	Madore et al.	
D316,583 S	4/1991	Mahaffey et al.		D490,489 S	5/2004	Madore	
5,421,577 A	6/1995	Kobayashi		D503,443 S	3/2005	Gillig	
5,429,354 A	7/1995	Long et al.		D508,544 S	8/2005	Madore	
5,431,401 A	7/1995	Smith		D515,157 S	2/2006	Madore	
D363,100 S	10/1995	Long et al.		7,037,214 B2	5/2006	Nakahara et al.	
5,518,242 A	5/1996	Mahaffey et al.		D522,597 S	6/2006	Sanchez	
5,683,307 A	11/1997	Rife		D523,500 S	6/2006	Ford	
D404,098 S	* 1/1999	Ishikawa et al. D21/733		D524,398 S	7/2006	Madore et al.	
5,947,838 A	9/1999	Tkacs		D524,399 S	7/2006	Madore et al.	
6,012,989 A	1/2000	Saksun		D524,890 S	7/2006	Foster et al.	
6,152,833 A	11/2000	Werner et al.		D532,470 S	* 11/2006	Oldknow D21/752	
D438,275 S	2/2001	Nagahama et al.		D532,853 S	* 11/2006	Oldknow D21/752	
D447,201 S	8/2001	Boyd		2003/0144074 A1	7/2003	Gillig	
6,478,692 B2	11/2002	Kosmatka		2004/0224790 A1	11/2004	Lu	
D470,203 S	2/2003	Rollinson et al.		2005/0143189 A1	6/2005	Lai et al.	
D470,552 S	2/2003	Cleveland et al.		2006/0079349 A1	4/2006	Rae et al.	
D470,553 S	2/2003	Helmstetter et al.		2006/0148586 A1	7/2006	Williams et al.	

* cited by examiner

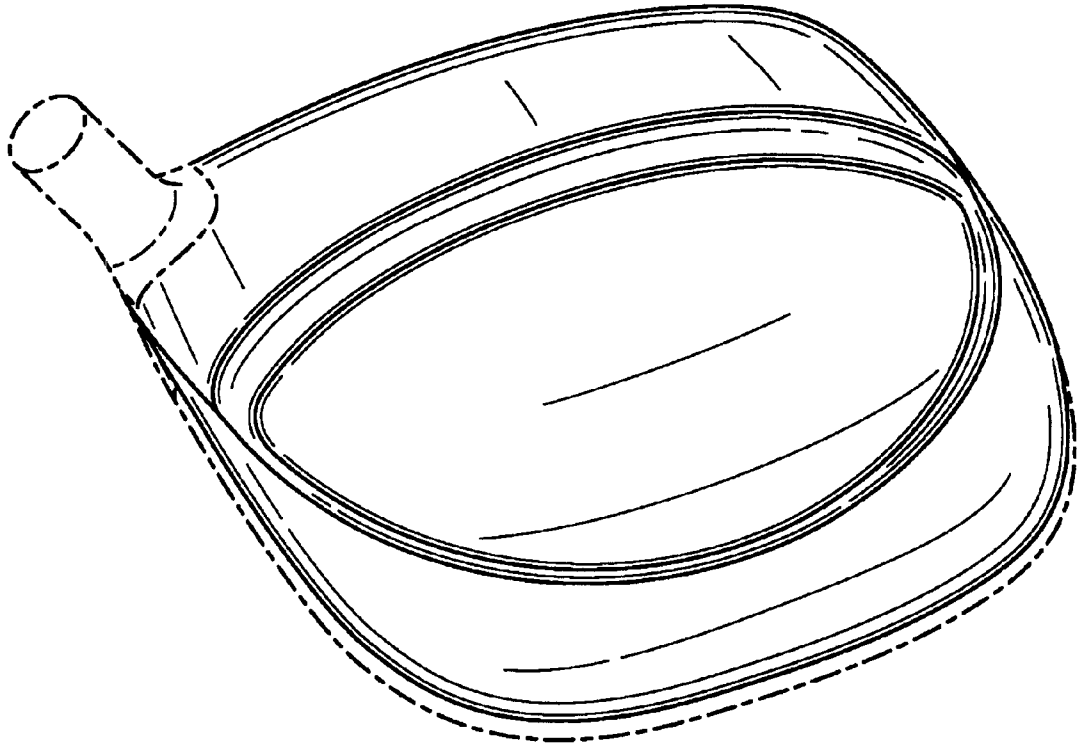


FIG. 1

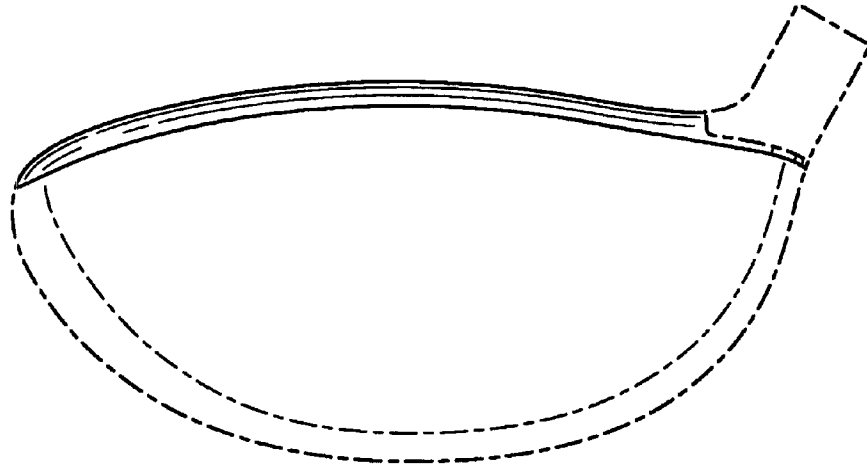


FIG. 2

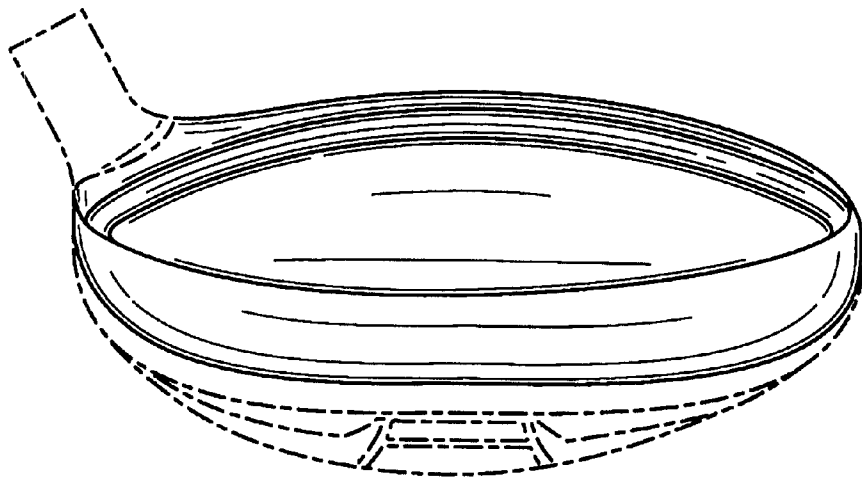


FIG. 3

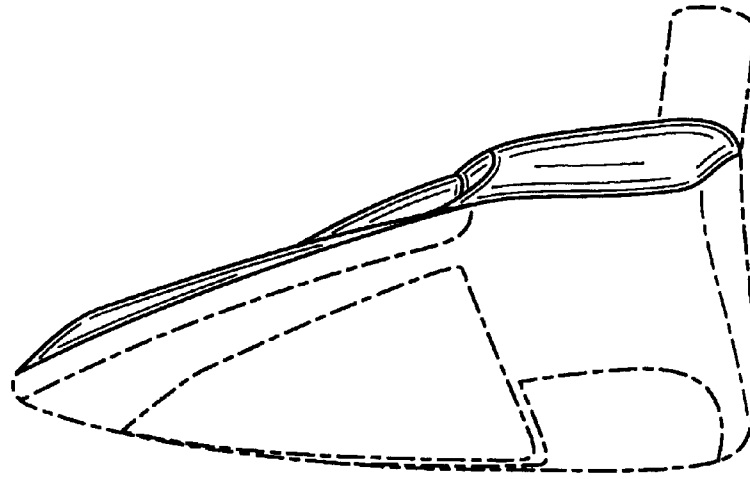


FIG. 4

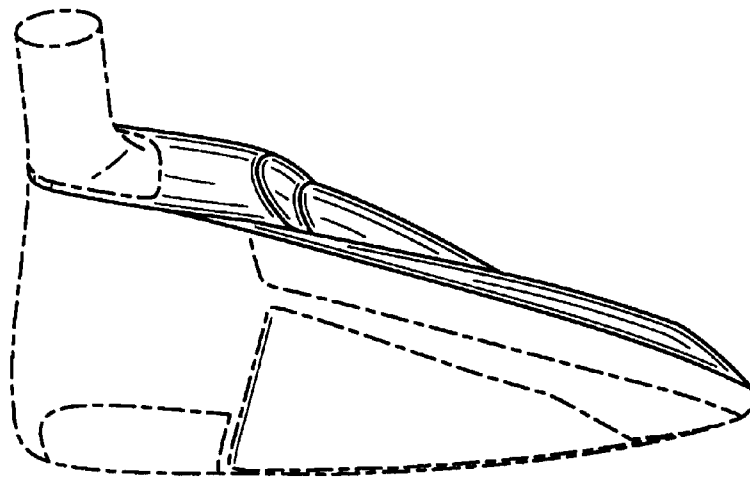


FIG. 5

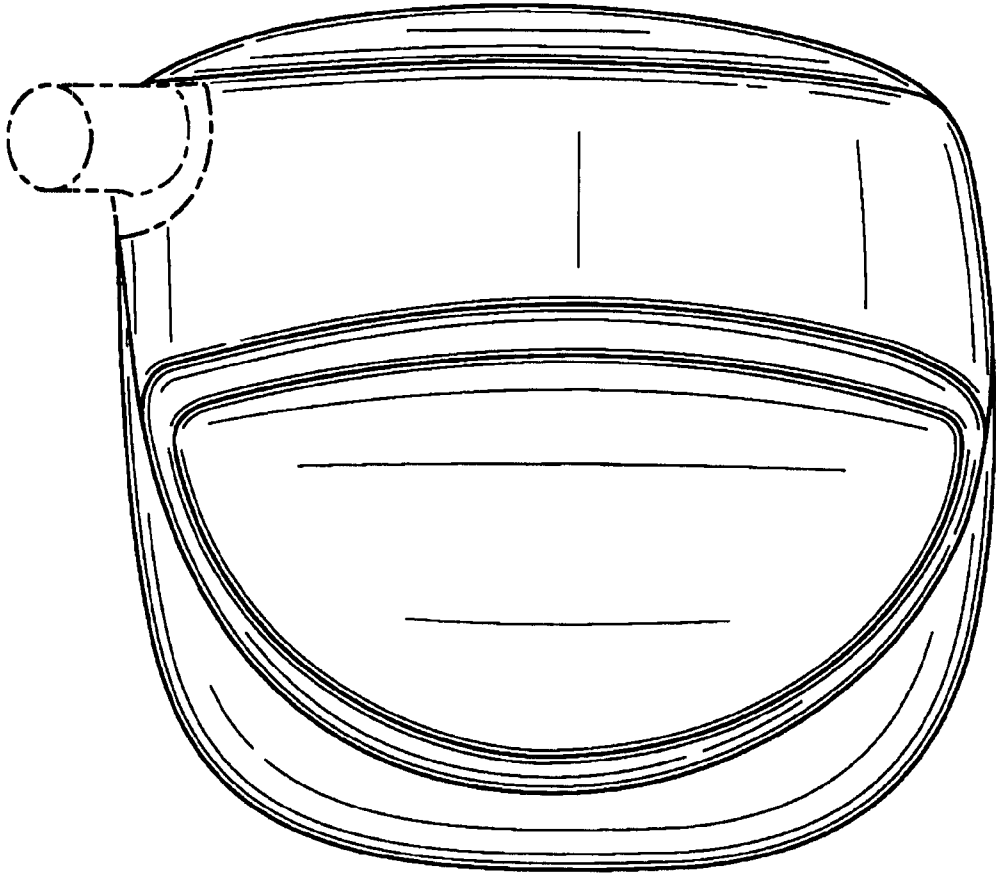


FIG. 6