



US00D578303S

(12) **United States Design Patent**  
**Shetler**

(10) **Patent No.:** **US D578,303 S**

(45) **Date of Patent:** **\*\* Oct. 14, 2008**

(54) **KEY RING**

(75) Inventor: **Chris Shetler**, Columbus, OH (US)

(73) Assignee: **PixlMediaServices, Inc.**, Columbus, OH (US)

(\*\*) Term: **14 Years**

(21) Appl. No.: **29/282,874**

(22) Filed: **Jul. 31, 2007**

(51) **LOC (8) Cl.** ..... **03-01**

(52) **U.S. Cl.** ..... **D3/211**

(58) **Field of Classification Search** ..... D3/207-212;  
206/37.1; 150/147; 70/456 R, 456 B, 458-459;  
24/3 K, 3.6, 100; D11/44, 48; D8/347-348  
See application file for complete search history.

(56) **References Cited**

**U.S. PATENT DOCUMENTS**

D150,887 S *	9/1948	Rothe	.....	D8/348
D344,627 S *	3/1994	Hochman	.....	D3/211
D397,027 S *	8/1998	Brown	.....	D8/348
D463,105 S	9/2002	Tsai		
D485,505 S *	1/2004	Cohen	.....	D11/60
D492,186 S	6/2004	Howard		
D505,783 S *	6/2005	Wysopal	.....	D3/211

D506,606 S *	6/2005	Huang	.....	D3/211
6,928,845 B2 *	8/2005	Howard	.....	70/408
D523,235 S	6/2006	Oas		
D523,629 S *	6/2006	Carter	.....	D3/211
D525,778 S	8/2006	Jaricot		
D539,029 S	3/2007	Rich		

\* cited by examiner

*Primary Examiner*—R. Seifert

(74) *Attorney, Agent, or Firm*—Standley Law Group LLP

(57) **CLAIM**

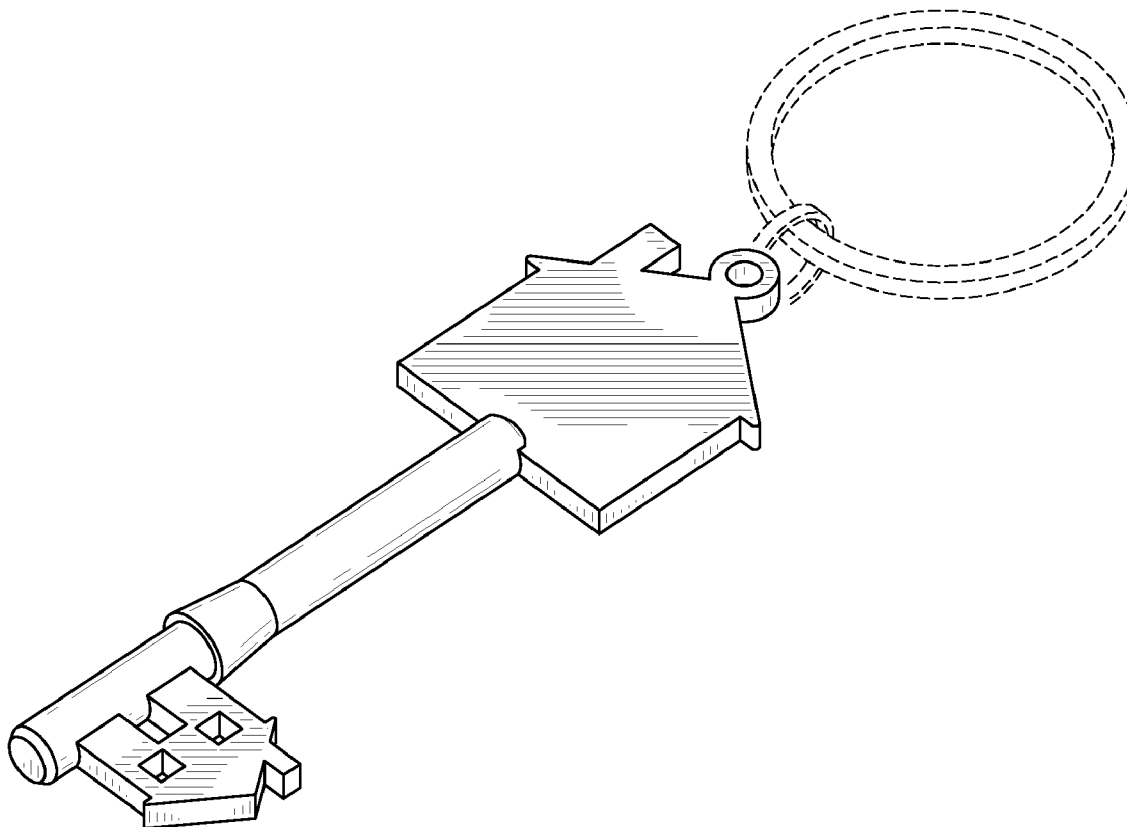
The ornamental design for a key ring, as shown and described.

**DESCRIPTION**

FIG. 1 is a perspective view of my new design for a key ring;  
FIG. 2 is a top view of FIG. 1;  
FIG. 3 is a front view of FIG. 1;  
FIG. 4 is a right side view of FIG. 1;  
FIG. 5 is a back view of FIG. 1;  
FIG. 6 is a left side view of FIG. 1; and  
FIG. 7 is a bottom view of FIG. 1.

It being understood that the broken lines are for illustrative purposes only and form no part of the claimed design.

**1 Claim, 3 Drawing Sheets**



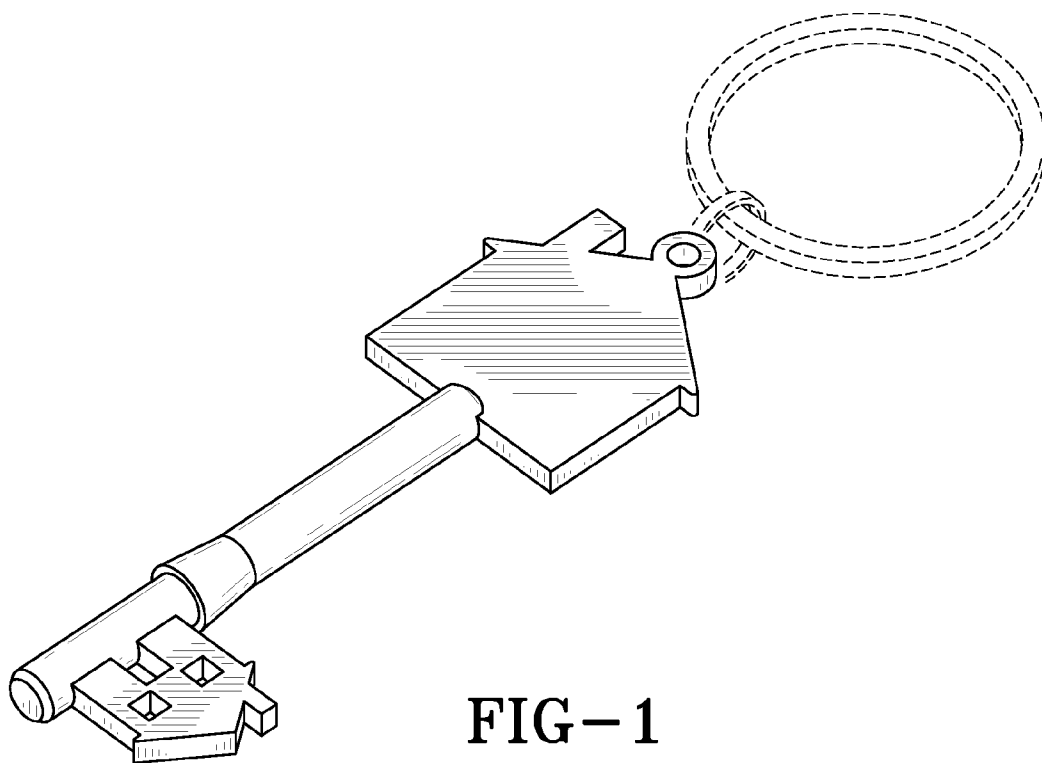


FIG-1

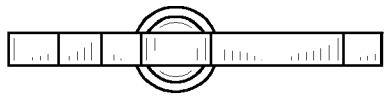


FIG-2

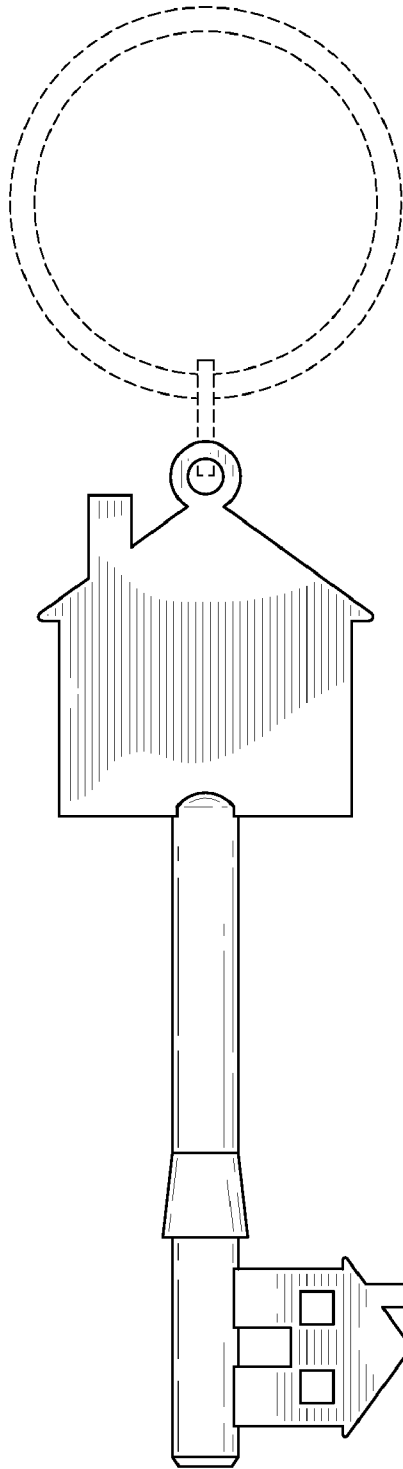


FIG-3

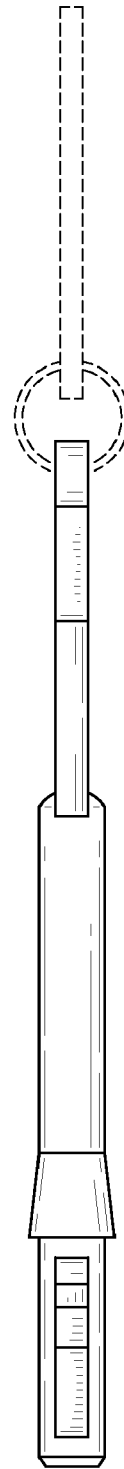


FIG-4

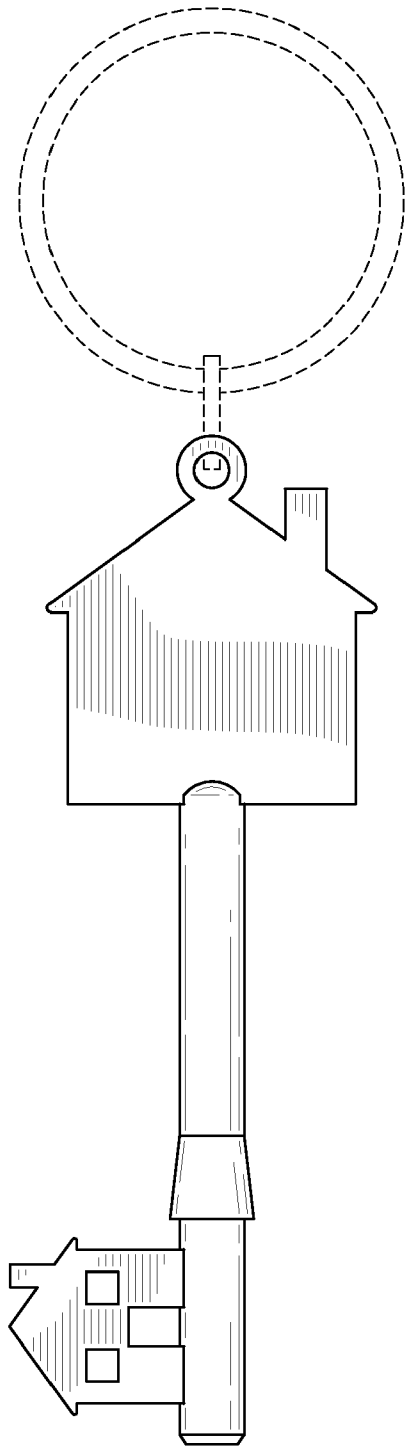


FIG-5

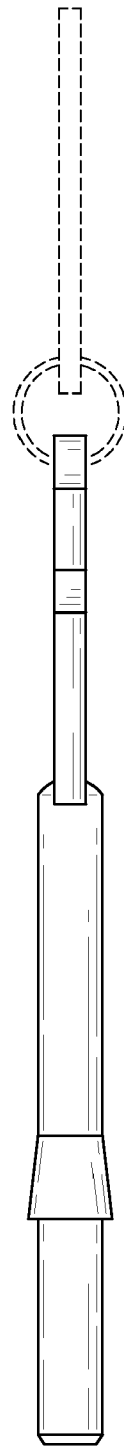


FIG-6

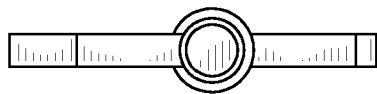


FIG-7