



US00D769663S

(12) **United States Design Patent** (10) **Patent No.:** **US D769,663 S**
Palermo et al. (45) **Date of Patent:** **** Oct. 25, 2016**

(54) **HOT BEVERAGE MAKER**
(71) Applicant: **Sunbeam Products, Inc.**, Boca Raton, FL (US)
(72) Inventors: **Joseph Palermo**, Boynton Beach, FL (US); **William Travis Lintner**, Winston-Salem, NC (US)
(73) Assignee: **Sunbeam Products, Inc.**, Boca Raton, FL (US)

D594,688 S * 6/2009 Hammad D7/306
D622,999 S * 9/2010 Murauyou D7/306
D649,826 S * 12/2011 Garman D7/306
D658,423 S * 5/2012 Curtis D7/306
D666,451 S * 9/2012 Cheng D7/309
D703,476 S * 4/2014 Behar D7/306
D718,414 S * 11/2014 Lo D23/207
D734,635 S * 7/2015 Behar D7/306
D755,001 S * 5/2016 Lintner D7/306
D758,149 S * 6/2016 Wong D7/693
2013/0004629 A1 * 1/2013 Clark A47J 31/4467
426/231

(**) Term: **15 Years**

* cited by examiner

(21) Appl. No.: **29/529,476**

Primary Examiner — Marianne Pandozzi

(22) Filed: **Jun. 8, 2015**

(74) *Attorney, Agent, or Firm* — Michael J. Corrigan

(51) **LOC (10) Cl.** **07-01**

(52) **U.S. Cl.**
USPC **D7/306; D7/311**

(58) **Field of Classification Search**
USPC D7/306–311, 305, 300, 397, 398, 399, D7/400; 99/279, 284, 290, 280, 299, 307, 99/297, 295, 323, 275, 281, 300, 302 R, 99/282, 288; 426/433; D20/4, 5, 1
CPC A47J 31/44; A47J 31/00; A47J 31/46; A47J 31/10; A47J 31/56; A47J 31/42; A47J 431/4482; A47J 27/2105; A47J 31/4403; A47J 31/32; A47J 31/4457; A47J 31/52; A47J 31/0573; A47J 31/545; B65D 81/3266

See application file for complete search history.

(57) **CLAIM**
The ornamental design for the hot beverage maker, as shown and described.

DESCRIPTION

FIG. 1 is a front perspective view of a hot beverage maker showing our new design;
FIG. 2 is a front view thereof;
FIG. 3 is a rear view thereof;
FIG. 4 is a left side view thereof;
FIG. 5 is a right side view thereof; and,
FIG. 6 is a top plan view thereof.
The broken lines depict portions of the hot beverage maker that form no part of the claimed design.

(56) **References Cited**

U.S. PATENT DOCUMENTS

4,464,981 A * 8/1984 Stover A47J 31/057
99/280
7,444,924 B2 * 11/2008 Laigneau A47J 31/3676
99/280

1 Claim, 3 Drawing Sheets

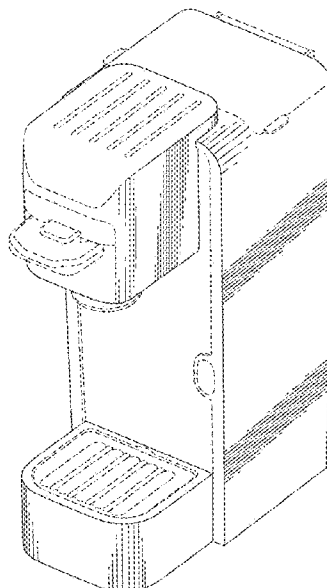


FIG. 1

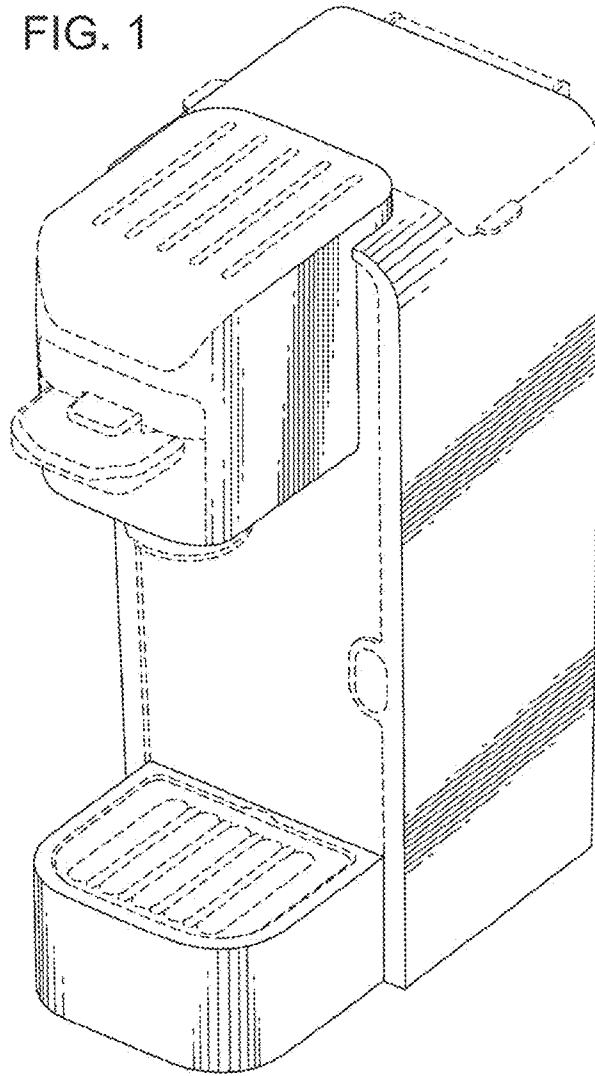


FIG. 6

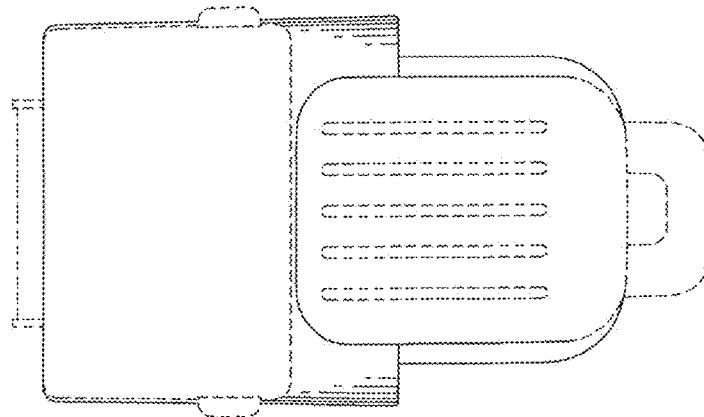


FIG. 2

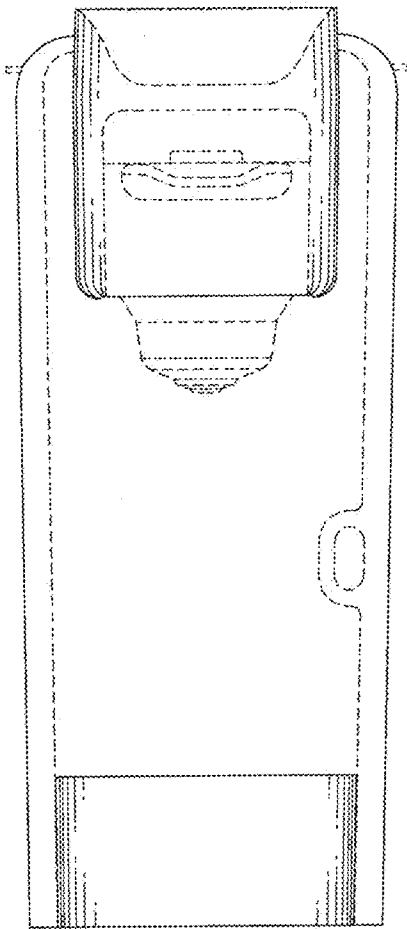


FIG. 3

