

[54] **COMBINED HANDSET AND STAND TELEPHONE UNIT**

[75] Inventor: **Tapani Hyvönen, Turku, Finland**

[73] Assignee: **Laukamo Oy, Somero, Finland**

[**] Term: **14 Years**

[21] Appl. No.: **872,436**

[22] Filed: **Jun. 9, 1986**

[30] **Foreign Application Priority Data**

Feb. 11, 1986 [FI] Finland 173/86

[52] U.S. Cl. **D14/53; D14/62; D14/63**

[58] Field of Search **D14/53, 62, 60, 63, D14/64; 379/428, 433, 434, 436, 440; D21/111**

[56] **References Cited**

U.S. PATENT DOCUMENTS

- D. 210,668 4/1968 Janda D14/63
- D. 227,782 7/1973 Hazell et al. D14/63
- D. 236,627 9/1975 Henshaw et al. D14/63
- D. 271,393 11/1983 Carr D14/64 X
- D. 282,465 2/1986 Harley et al. D14/63
- D. 282,659 2/1988 Abrams D14/64 X
- D. 284,572 7/1986 Perkins D14/63 X
- D. 284,858 7/1986 Kao D14/64 X
- D. 285,199 8/1986 Hocking et al. D14/64 X

- D. 287,248 12/1986 Reichenstein D14/63
- D. 287,851 1/1987 Hoi D14/64 X
- D. 289,639 5/1987 Anno et al. D14/63 X
- D. 290,116 6/1987 Yasui et al. D14/63 X
- 3,584,157 6/1971 Prescott D14/53 X
- 4,169,218 9/1979 Tyler D14/53 UX
- 4,593,159 6/1986 Charchanko D14/63 UX
- 4,675,903 6/1987 Gulezian et al. D14/63 UX

Primary Examiner—Wallace R. Burke

Assistant Examiner—Horace B. Fay, Jr.

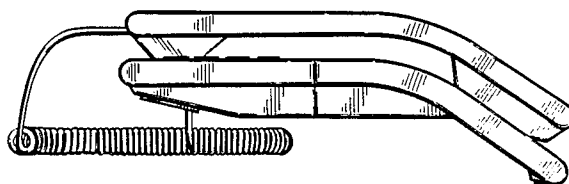
Attorney, Agent, or Firm—McAulay, Fields, Fisher, Goldstein & Nissen

[57] **CLAIM**

The ornamental design for combined handset and stand telephone unit, as shown and described.

DESCRIPTION

FIG. 1 is a left side top and front perspective view of a combined handset and stand telephone unit showing my new design in cradled relationship; FIGS. 2 and 3 are respectively top and bottom plan views thereof; FIGS. 4 and 5 are respectively left and right side elevational views thereof; and FIGS. 6 and 7 are respectively rear and front elevational views thereof. A cord is shown in fragmentary form in FIGS. 1, 2 and 3 for convenience of illustration.



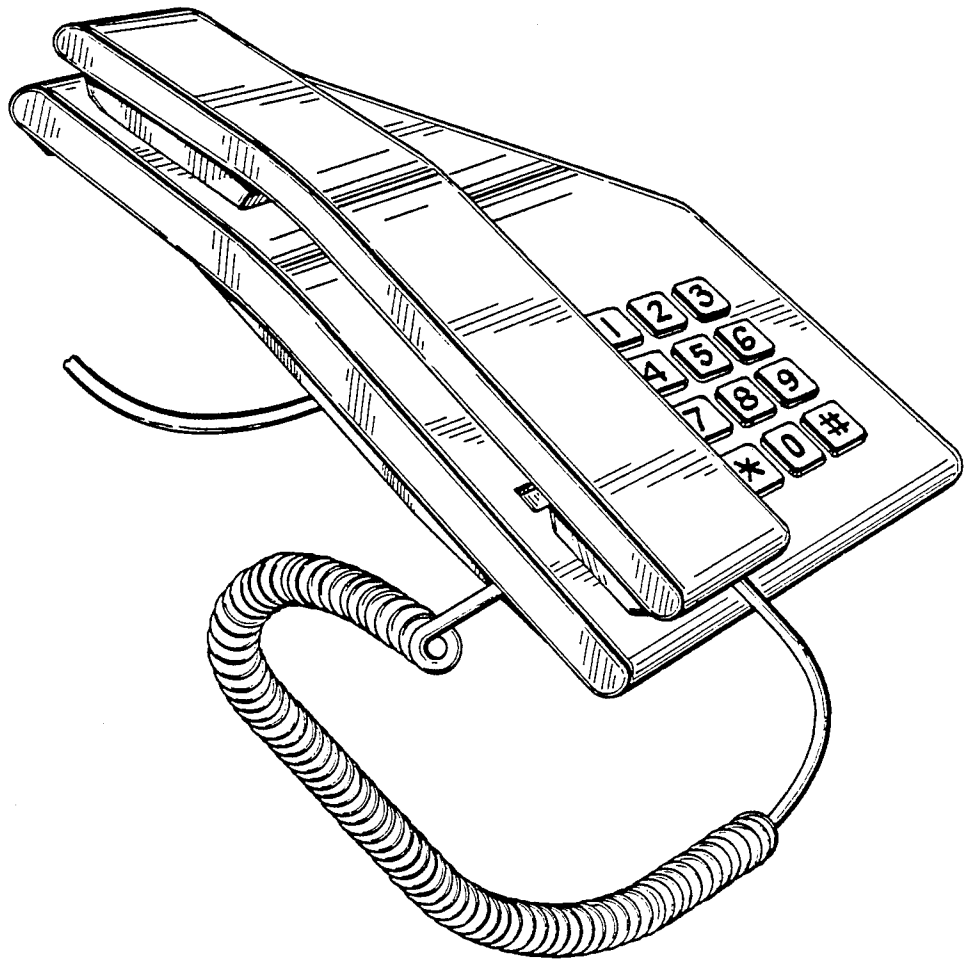


FIG. 1

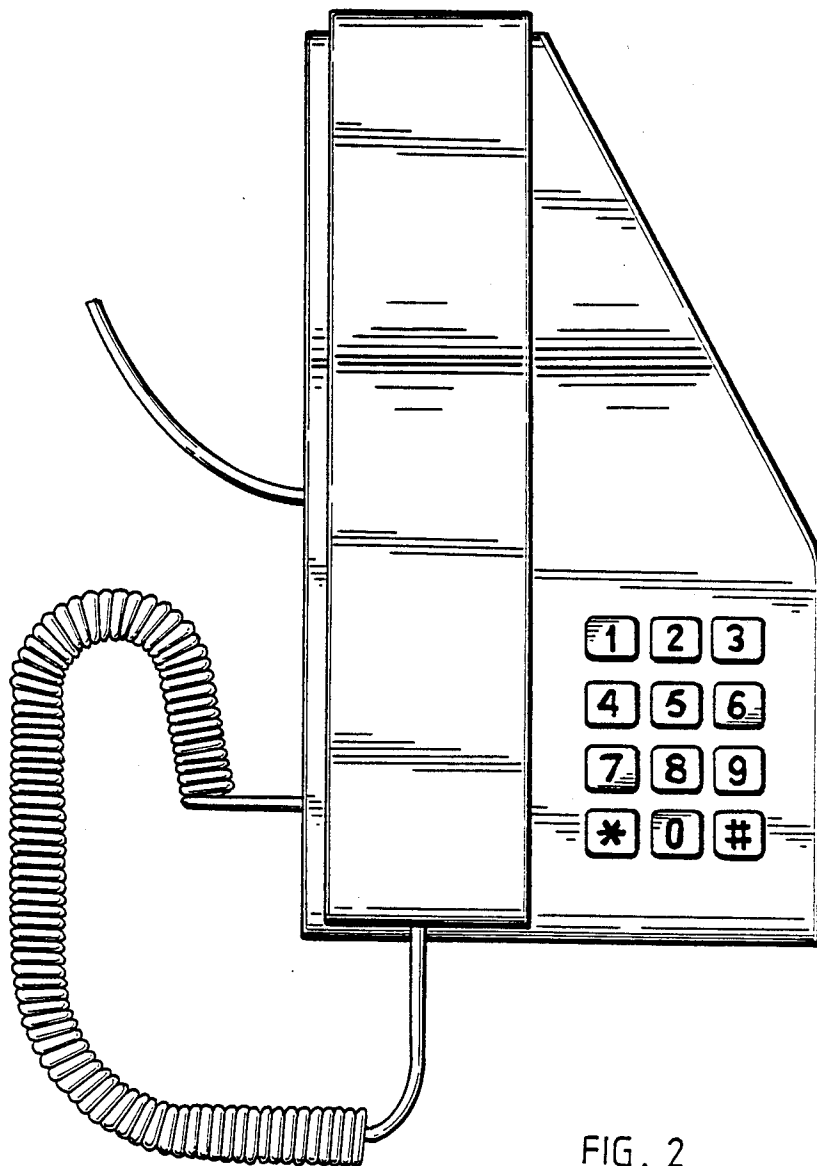


FIG. 2

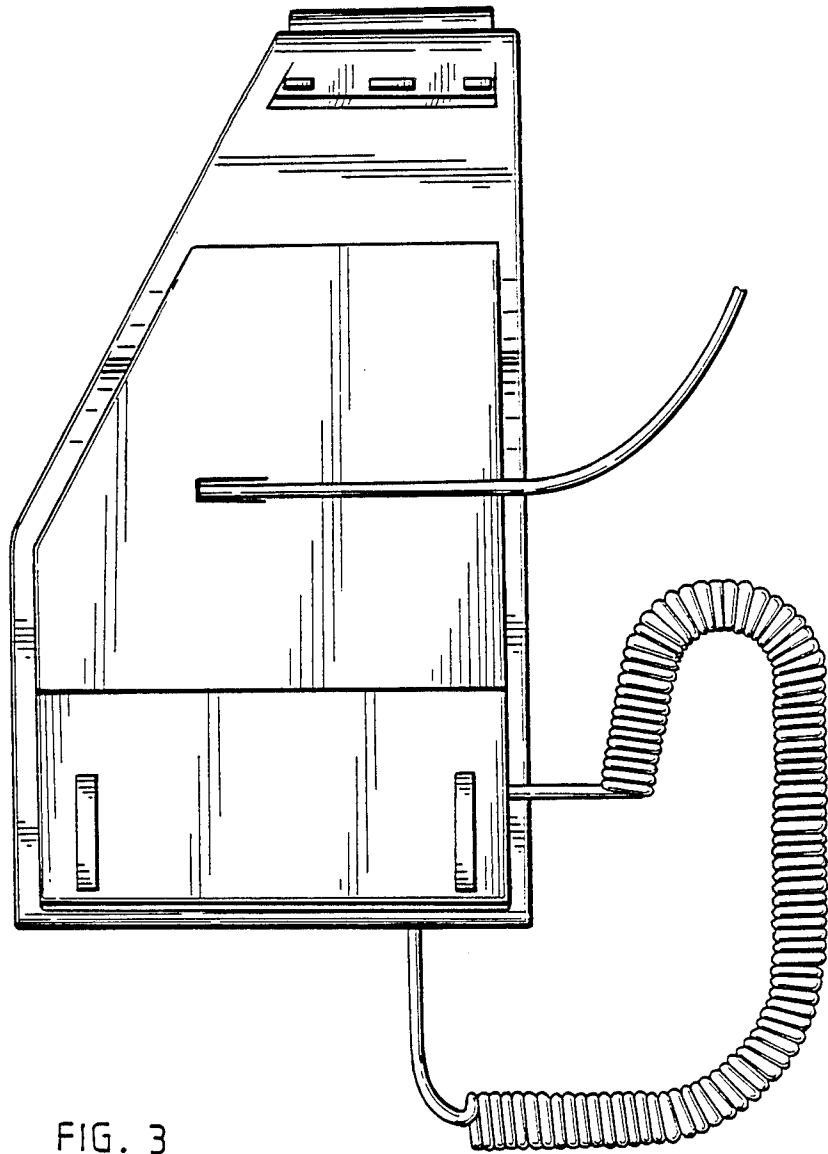


FIG. 3

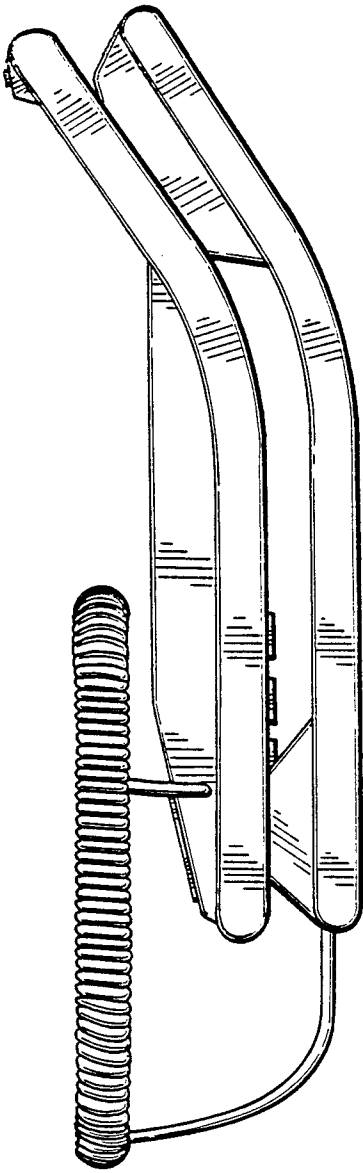


FIG. 4

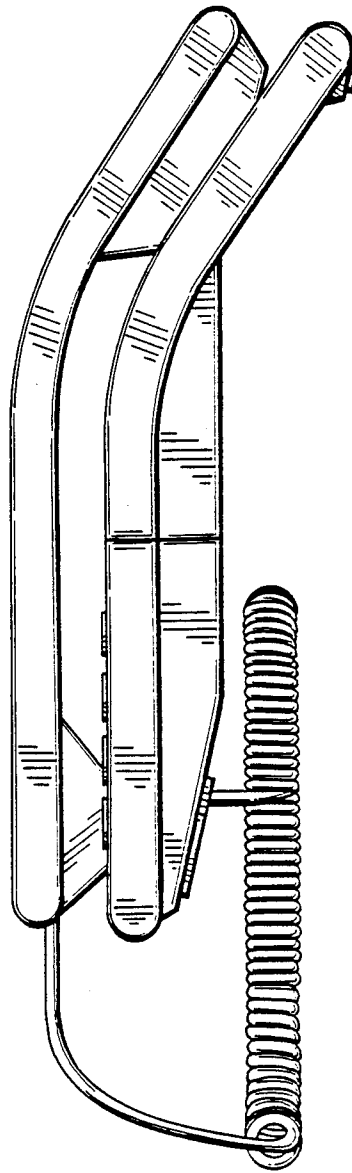


FIG. 5

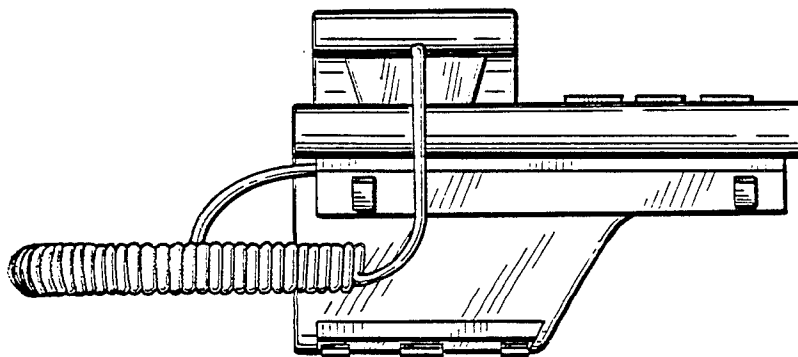


FIG. 6

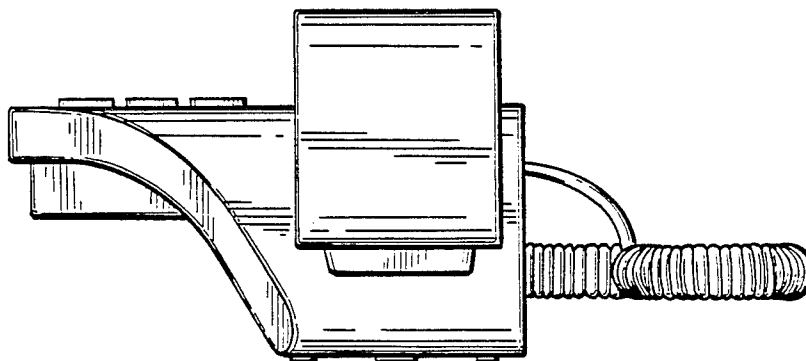


FIG. 7