



US00D646697S

(12) **United States Design Patent**
Woodling

(10) **Patent No.:** **US D646,697 S**

(45) **Date of Patent:** **** Oct. 11, 2011**

(54) **MOTOR UNIT**

Primary Examiner — Cathron C. Brooks

Assistant Examiner — Maurice Stevens

(76) Inventor: **Benjamin Compton Woodling**,
Brighton (GB)

(74) *Attorney, Agent, or Firm* — Lambert & Associates;
Gary E. Lambert; David J. Connaughton, Jr.

(**) Term: **14 Years**

(21) Appl. No.: **29/314,080**

(57) **CLAIM**

The ornamental design for a motor unit, as shown and described.

(22) Filed: **Mar. 3, 2009**

(51) **LOC (9) Cl.** **15-01**

(52) **U.S. Cl.** **D15/1**

(58) **Field of Classification Search** D15/1-5,
D15/14-17; 123/41.67, 41.7, 50 A, 50 B,
123/50 R, 51 A, 51 B, 51 R, 70 R, 195 C,
123/198 E, 306, 308, 661, 667; D23/225

See application file for complete search history.

DESCRIPTION

FIG. 1 is a front isometric view of an improved motor unit;
FIG. 2 is a rear isometric view of the motor unit;
FIG. 3 is a front view of the motor unit;
FIG. 4 is a back view of the motor unit;
FIG. 5 is a left side view of the motor unit;
FIG. 6 is a right side view of the motor unit;
FIG. 7 is a top view of the motor unit; and,
FIG. 8 is a bottom view of the motor unit.

The broken lines showing unclaimed portions of the motor
Unit form no part of the claimed design.

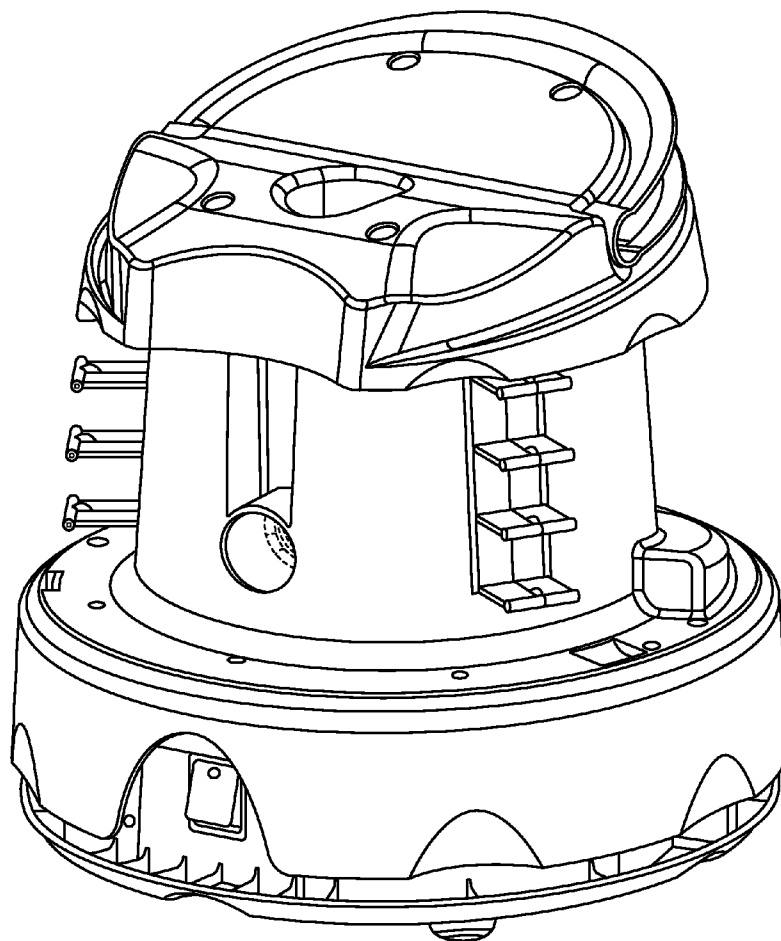
(56) **References Cited**

U.S. PATENT DOCUMENTS

D598,935 S *	8/2009	Kobayashi et al.	D15/1
D609,720 S *	2/2010	Buck	D15/1
D610,163 S *	2/2010	Wood	D15/1
D612,402 S *	3/2010	Dai et al.	D15/1

* cited by examiner

1 Claim, 8 Drawing Sheets



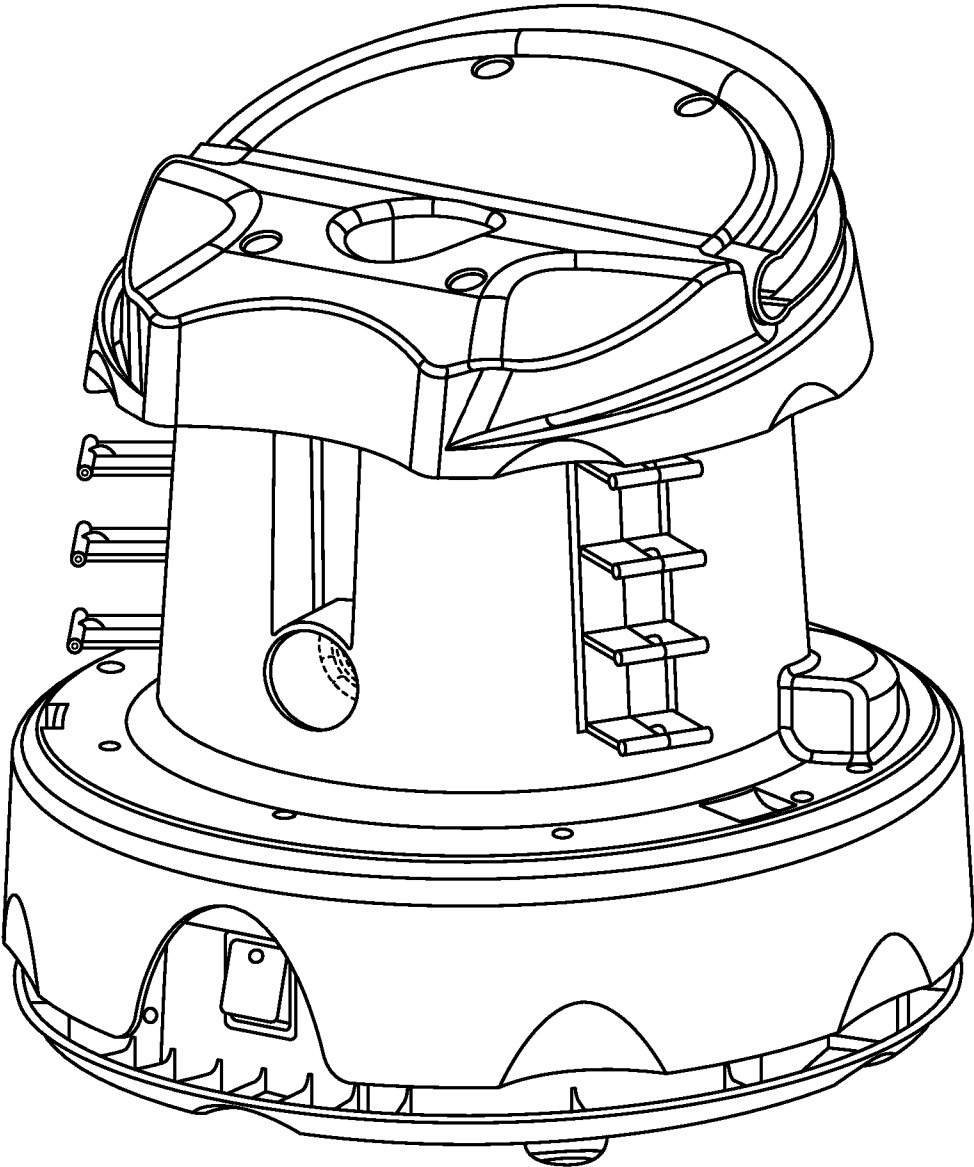


FIG. 1

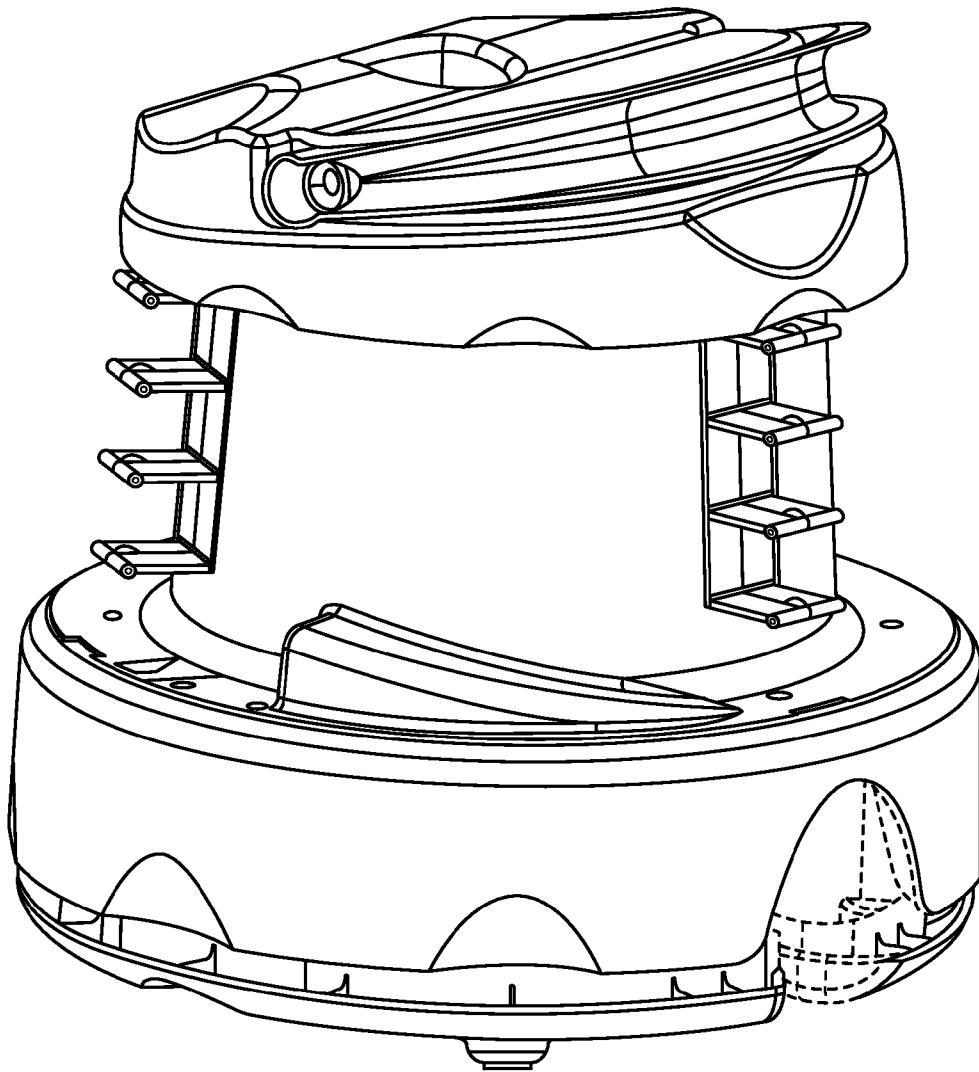


FIG. 2

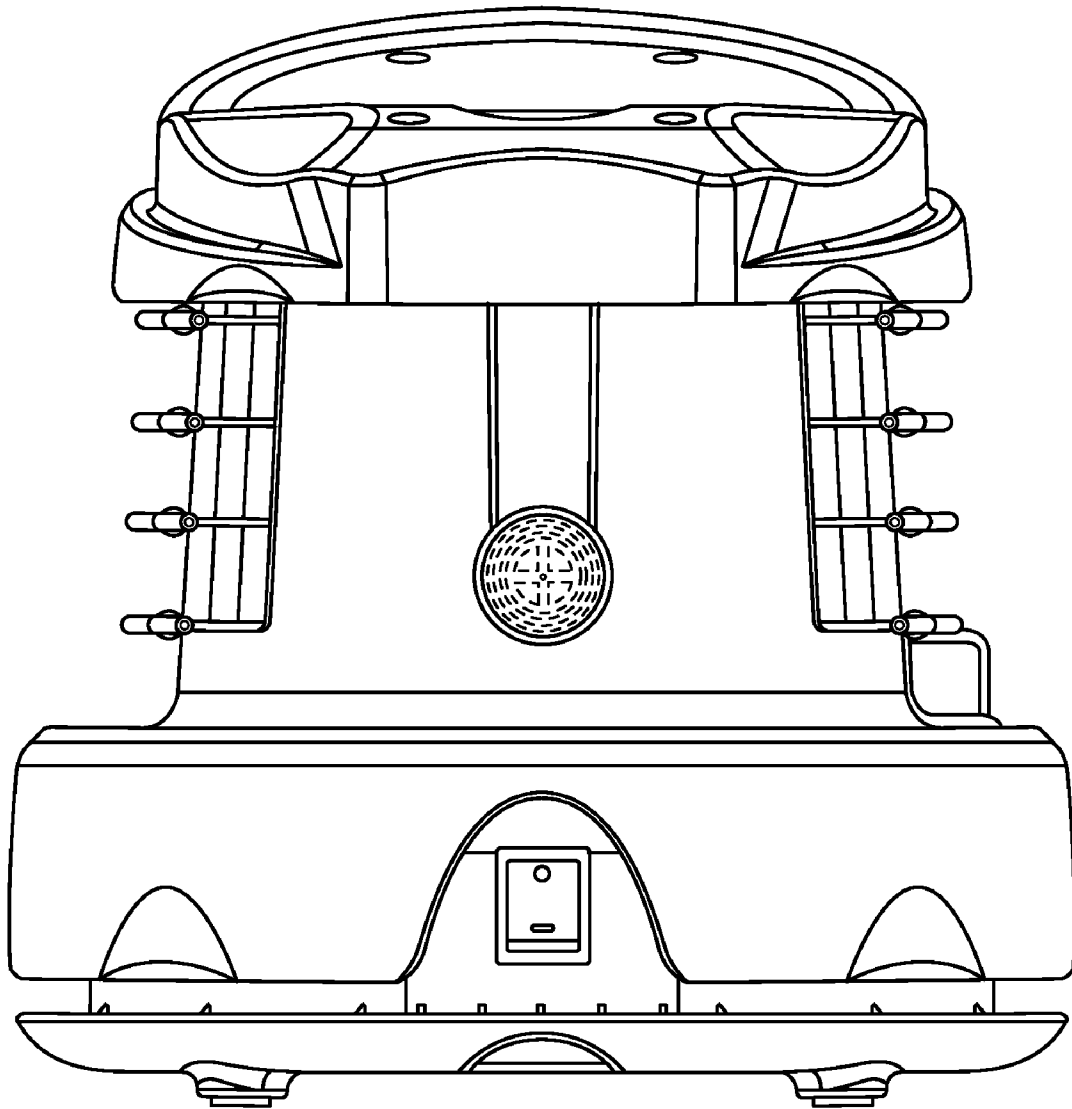


FIG. 3

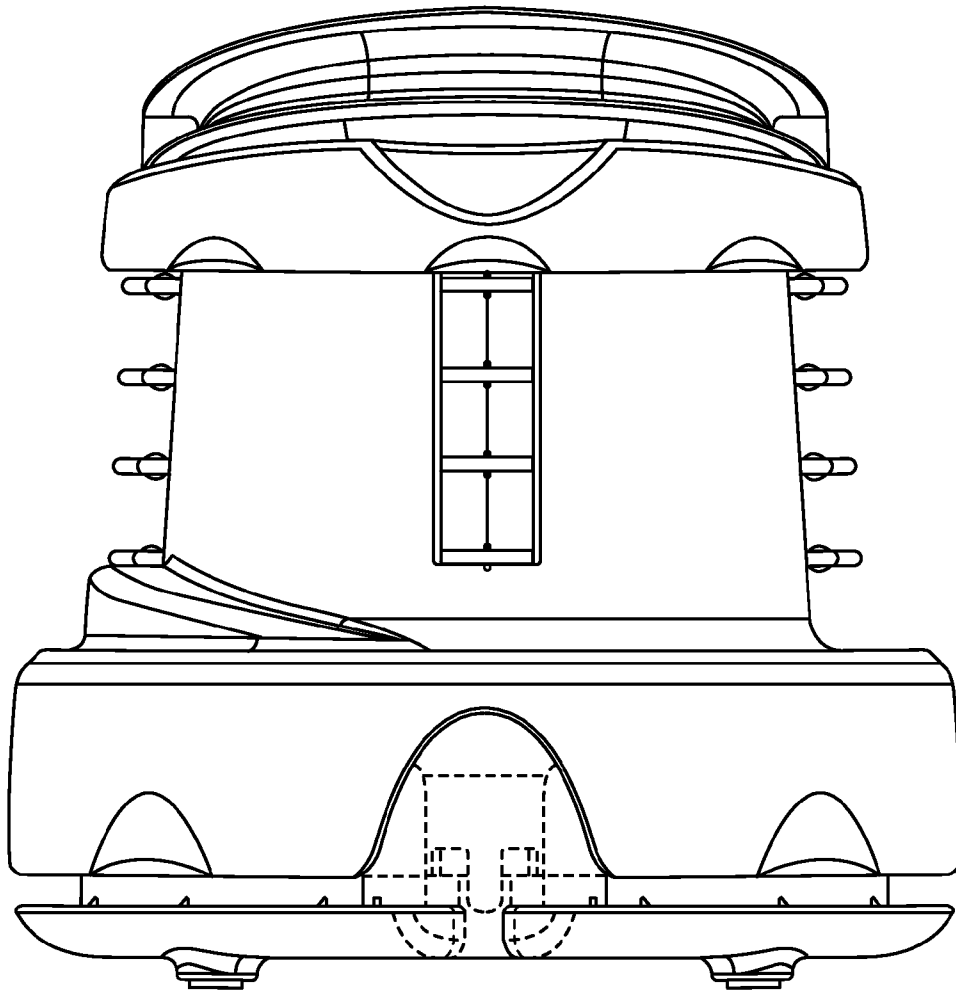


FIG. 4

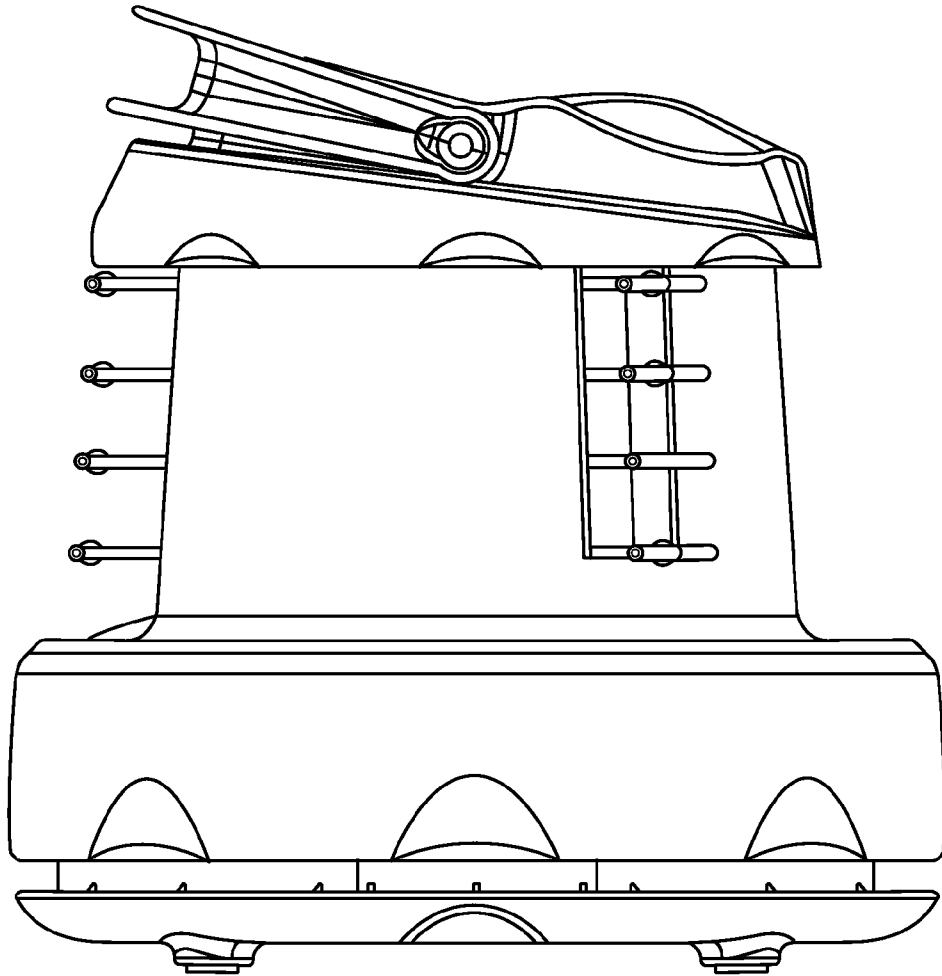


FIG. 5

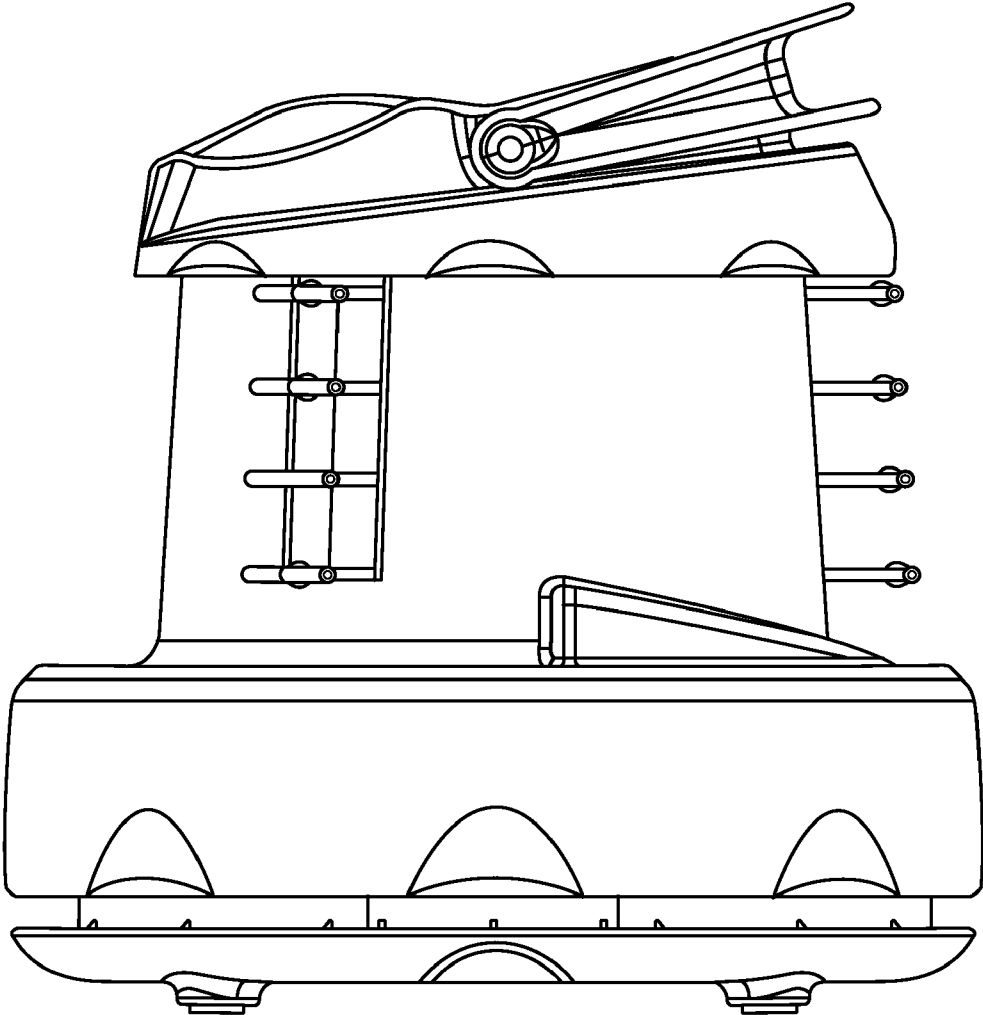


FIG. 6

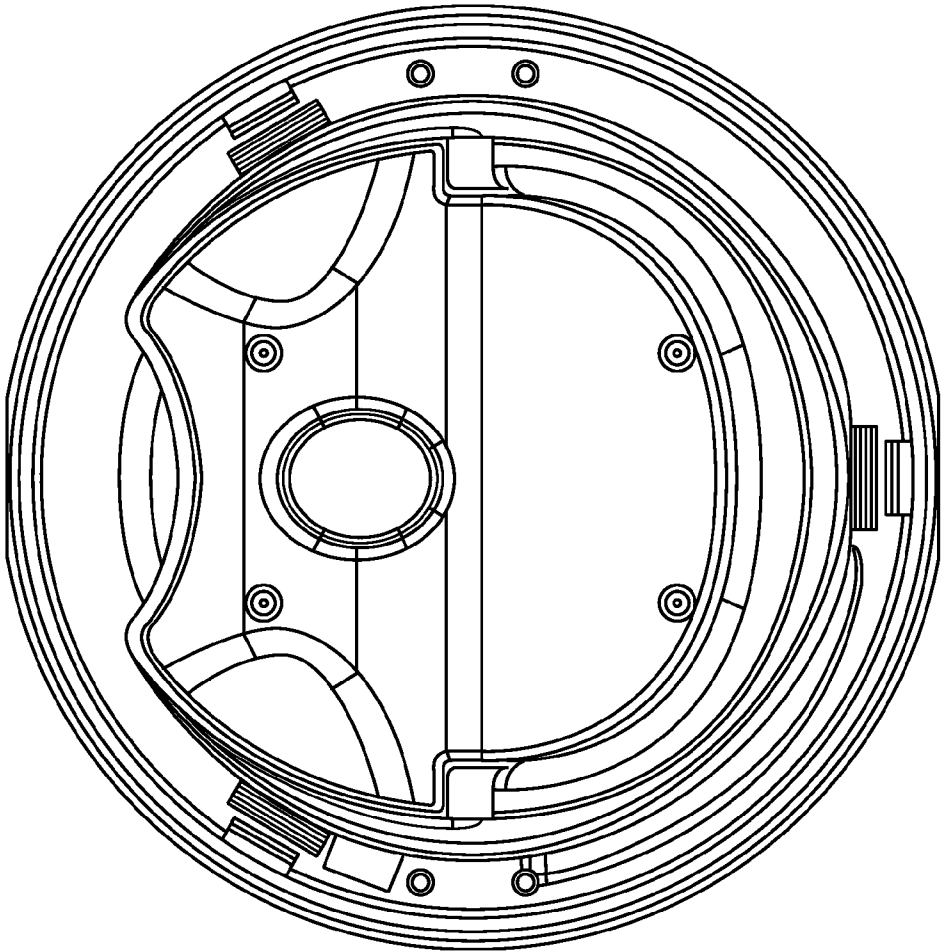


FIG. 7

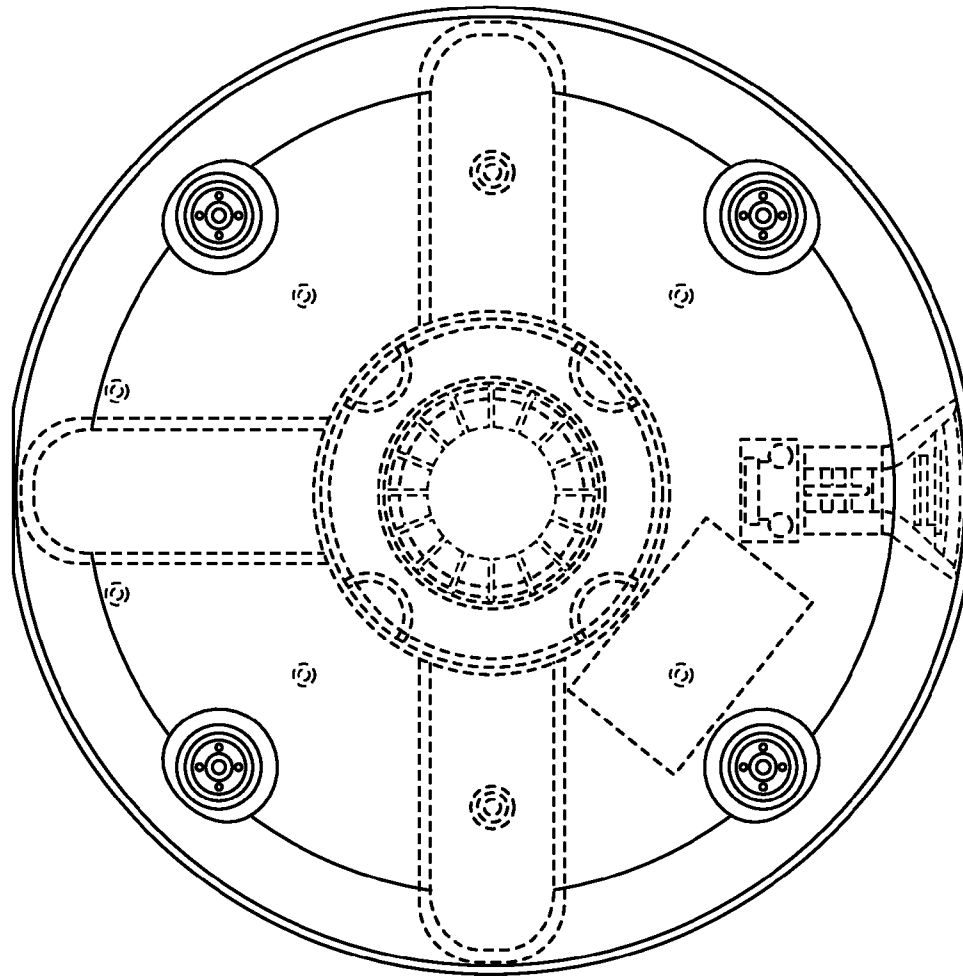


FIG. 8