



US00D737434S

(12) **United States Design Patent**  
**Miller**

(10) **Patent No.:** **US D737,434 S**

(45) **Date of Patent:** **\*\* Aug. 25, 2015**

(54) **DIAPER SHIELD**

(71) Applicant: **Melanie C. Miller**, American Fork, UT  
(US)

(72) Inventor: **Melanie C. Miller**, American Fork, UT  
(US)

(\*\*) Term: **14 Years**

(21) Appl. No.: **29/469,496**

(22) Filed: **Oct. 10, 2013**

**Related U.S. Application Data**

(63) Continuation of application No. 13/078,732, filed on  
Apr. 1, 2011, now abandoned.

(51) **LOC (10) Cl.** ..... **24-04**

(52) **U.S. Cl.**  
USPC ..... **D24/126**

(58) **Field of Classification Search**

USPC ..... D24/126; 604/385.1, 385.2, 385.01,  
604/385.02, 358, 386, 540, 385.03  
CPC ..... A61F 13/49; A61F 13/49001; A61F  
13/49003; A61F 13/49007; A61F 13/49009  
See application file for complete search history.

(56) **References Cited**

**U.S. PATENT DOCUMENTS**

4,568,342 A \* 2/1986 Davis ..... 604/391  
5,098,423 A \* 3/1992 Pieniak et al. .... 604/385.27  
D343,681 S \* 1/1994 Hull ..... D24/126  
D421,802 S \* 3/2000 Van Gompel et al. .... D24/126  
D422,077 S \* 3/2000 Surprise et al. .... D24/126  
D436,400 S \* 1/2001 Kiecker ..... D24/126  
D438,614 S \* 3/2001 Ratliff et al. .... D24/126  
D438,615 S \* 3/2001 Dimitrijevs et al. .... D24/126

D439,662 S \* 3/2001 Ratliff et al. .... D24/126  
D452,315 S \* 12/2001 Coates ..... D24/126  
D456,508 S \* 4/2002 Schroeder et al. .... D24/126  
D457,950 S \* 5/2002 Schroeder et al. .... D24/126  
D457,951 S \* 5/2002 Abney et al. .... D24/126  
D561,334 S \* 2/2008 Martynus et al. .... D24/126  
D609,805 S \* 2/2010 Moravek et al. .... D24/126  
D643,919 S \* 8/2011 Walker et al. .... D24/126

\* cited by examiner

*Primary Examiner* — T. Chase Nelson

*Assistant Examiner* — Michelle E Wilson

(74) *Attorney, Agent, or Firm* — Jeffrey M. Lillywhite, PC

(57) **CLAIM**

The ornamental design for a diaper shield, as shown and  
described.

**DESCRIPTION**

FIG. 1 is a first perspective view of a diaper shield of my new  
design;

FIG. 2 is a front view thereof;

FIG. 3 is a back view thereof;

FIG. 4 is a first side view thereof;

FIG. 5 is a second side view thereof;

FIG. 6 is a top view thereof;

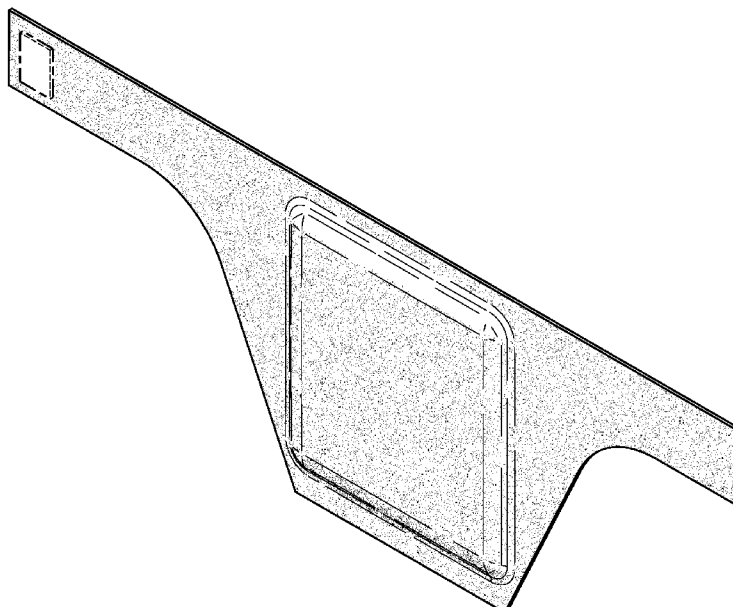
FIG. 7 is a bottom view thereof; and,

FIG. 8 is a perspective view illustrating the diaper shield in an  
attached position.

The broken line showing of the diaper shield adhesives are  
included for the purpose of illustrating portions of the diaper  
shield that are no part of the claimed design. The broken lines  
showing of the baby and diaper are included to show envi-  
ronment and form no part of the claim design.

The broken lines shown in the center portion of FIGS. 3 and  
8 are included for the purpose of illustrating stitching and are  
a part of the claimed design.

**1 Claim, 6 Drawing Sheets**



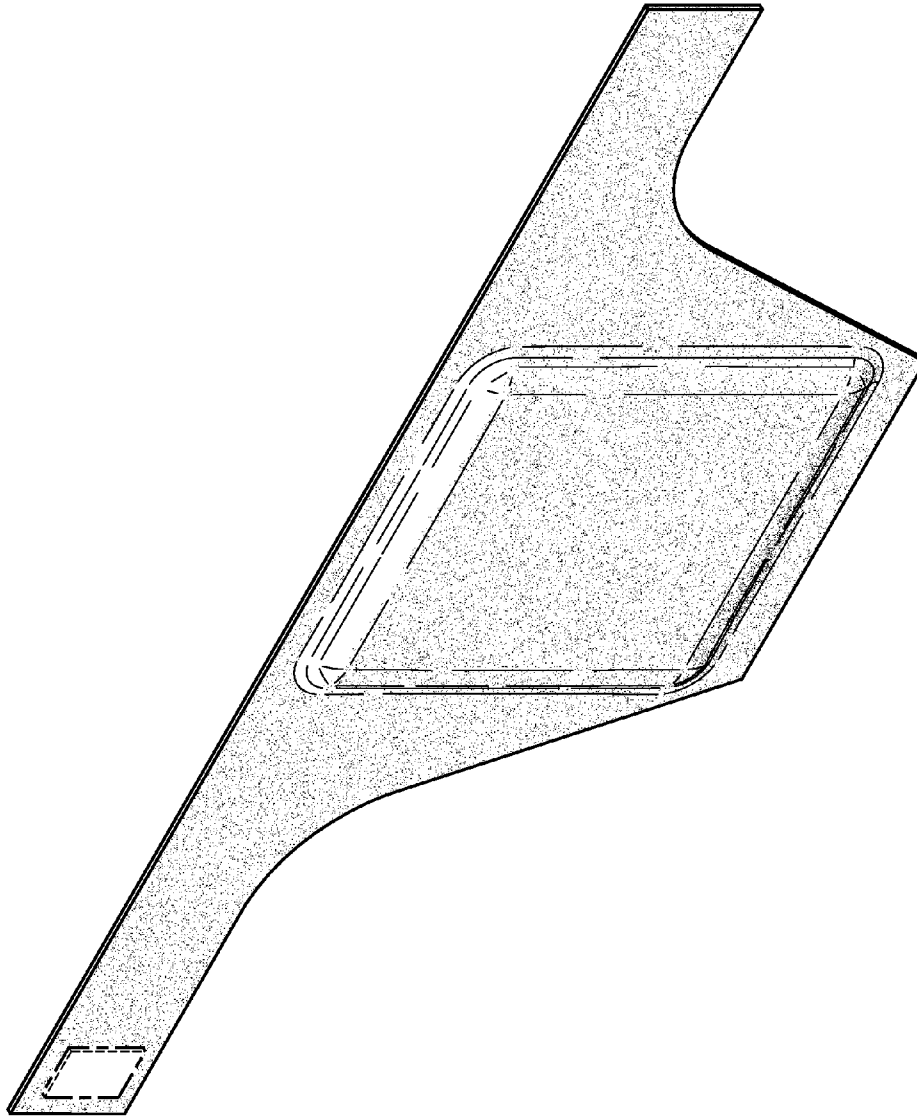


FIG. 1

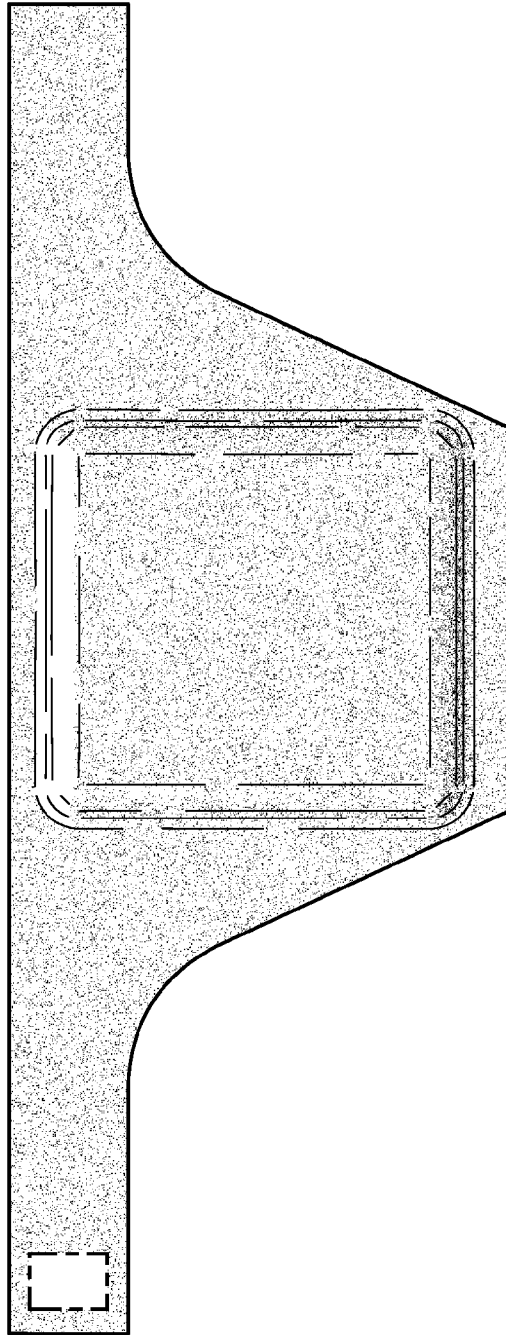


FIG. 2

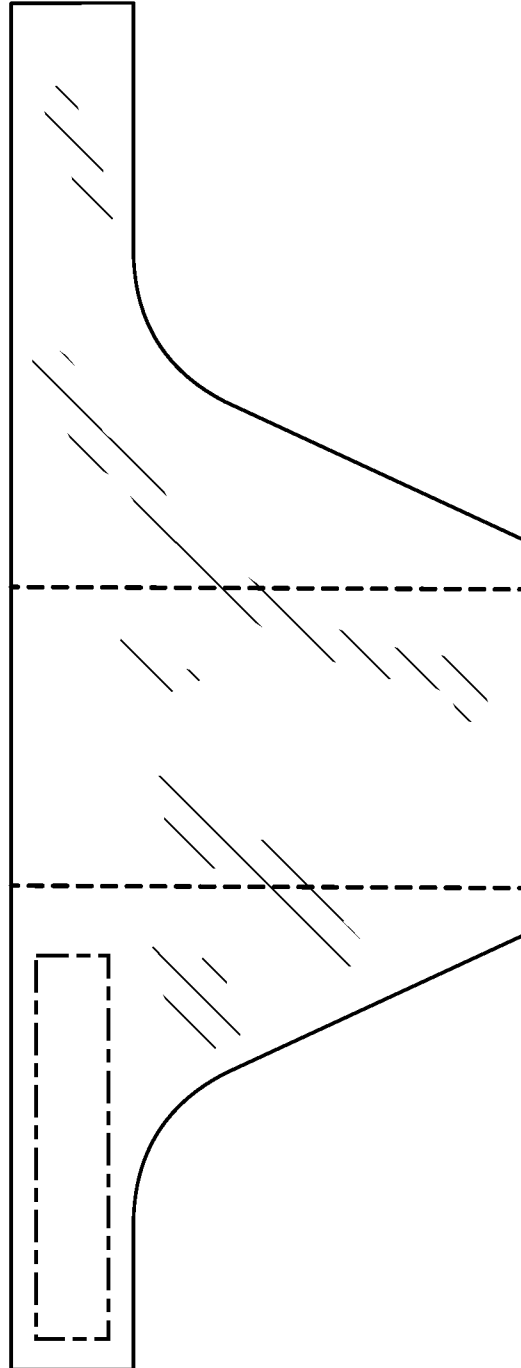


FIG. 3



FIG. 5

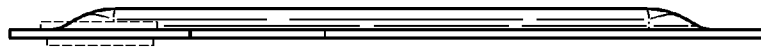


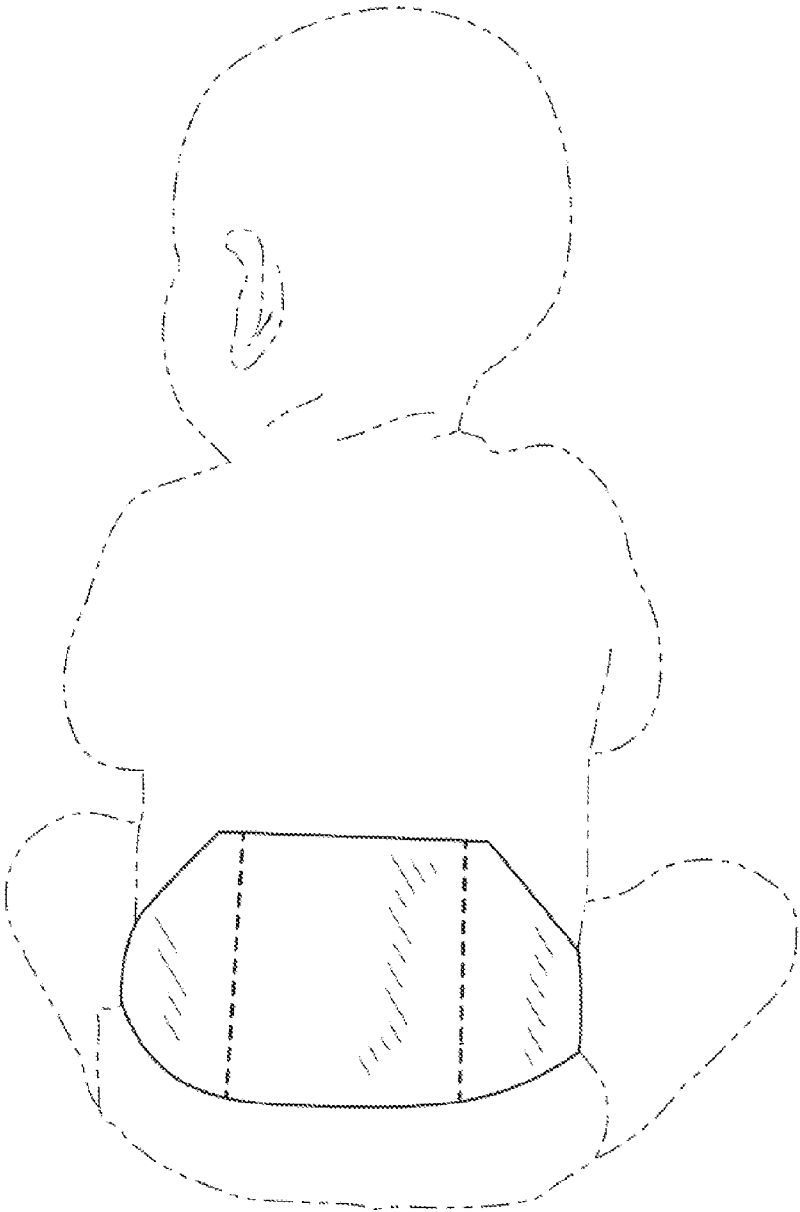
FIG. 4



**FIG. 6**



**FIG. 7**



**FIG. 8**