



- (51) International Patent Classification: E21B 43/01 (2006.01)
- (21) International Application Number: PCT/US2012/035274
- (22) International Filing Date: 26 April 2012 (26.04.2012)
- (25) Filing Language: English
- (26) Publication Language: English
- (30) Priority Data: 61/479,308 26 April 2011 (26.04.2011) US
- (71) Applicant (for all designated States except US): BP CORPORATION NORTH AMERICA, INC. [US/US]; 501 Westlake Park Boulevard, Houston, Texas 77079 (US).
- (72) Inventors; and
- (75) Inventors/Applicants (for US only): FUSELIER, James Edward [US/US]; 150 W. Warrenville Road, MC 200-1W, Naperville, Illinois 60563 (US). GUTIERREZ, Daniel [US/US]; 150 W. Warrenville Road, MC 200-1 W, Naperville, Illinois 60563 (US). GUTIERREZ, Luis Javier [US/US]; 150 W. Warrenville Road, MC 200-1 W, Naperville, Illinois 60563 (US).
- (74) Agents: PIANA, Jayne C. et al.; BP Corporation North America Inc, 150 West Warrenville Road, MC 200-1W, Naperville, IL 60563 (US).
- (81) Designated States (unless otherwise indicated, for every kind of national protection available): AE, AG, AL, AM, AO, AT, AU, AZ, BA, BB, BG, BH, BR, BW, BY, BZ, CA, CH, CL, CN, CO, CR, CU, CZ, DE, DK, DM, DO, DZ, EC, EE, EG, ES, FI, GB, GD, GE, GH, GM, GT, HN, HR, HU, ID, IL, IN, IS, JP, KE, KG, KM, KN, KP, KR, KZ, LA, LC, LK, LR, LS, LT, LU, LY, MA, MD, ME, MG, MK, MN, MW, MX, MY, MZ, NA, NG, NI, NO, NZ, OM, PE, PG, PH, PL, PT, QA, RO, RS, RU, RW, SC, SD, SE, SG, SK, SL, SM, ST, SV, SY, TH, TJ, TM, TN, TR, TT, TZ, UA, UG, US, UZ, VC, VN, ZA, ZM, ZW.
- (84) Designated States (unless otherwise indicated, for every kind of regional protection available): ARIPO (BW, GH, GM, KE, LR, LS, MW, MZ, NA, RW, SD, SL, SZ, TZ, UG, ZM, ZW), Eurasian (AM, AZ, BY, KG, KZ, RU, TJ, TM), European (AL, AT, BE, BG, CH, CY, CZ, DE, DK, EE, ES, FI, FR, GB, GR, HR, HU, IE, IS, IT, LT, LU, LV, MC, MK, MT, NL, NO, PL, PT, RO, RS, SE, SI, SK, SM, TR), OAPI (BF, BJ, CF, CG, CI, CM, GA, GN, GQ, GW, ML, MR, NE, SN, TD, TG).

[Continued on next page]

(54) Title: SUBSEA ACCUMULATOR SYSTEM

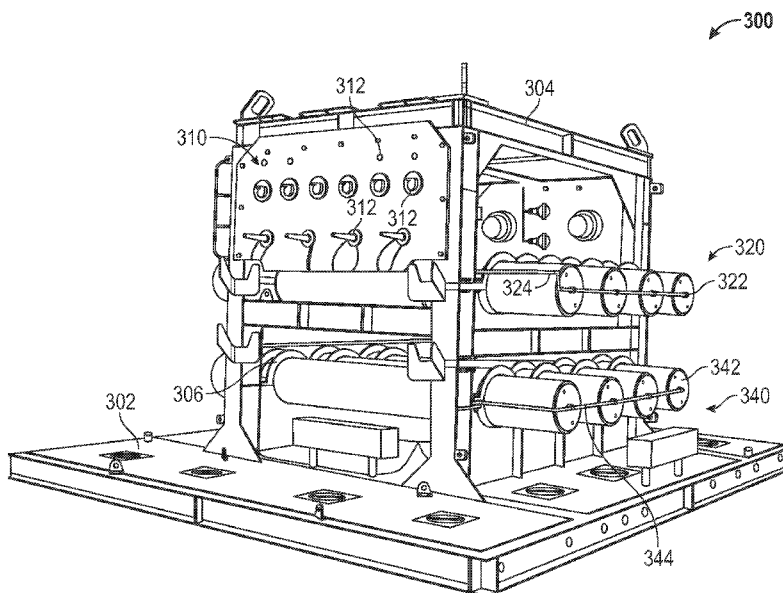


FIG. 4

(57) Abstract: Embodiments of a subsea accumulator system are disclosed. The system includes a subsea skid structure, a pre-charged fluid accumulator mounted in the subsea skid structure and fluidly coupled to a flowline in the skid structure, and a subsea device coupled to the flowline to receive hydraulic fluid power from the pre-charged fluid accumulator. The system may include a fill port having a releasable connection to selectively couple with a hydraulic fluid supply separate from the skid structure. Certain embodiments may include a subsea pump, instead of a pre-charge, for delivering pressurized fluid to a piston in the accumulator, and multiple accumulators for mixing fluids or discharging the fluids sequentially.





Published:

(88) Date of publication of the international search report:

- *with international search report (Art. 21(3))*
- *before the expiration of the time limit for amending the claims and to be republished in the event of receipt of amendments (Rule 48.2(h))*

27 December 2013

INTERNATIONAL SEARCH REPORT

International application No
PCT/US2012/035274

A. CLASSIFICATION OF SUBJECT MATTER
INV. E21B33/035
ADD.

According to International Patent Classification (IPC) or to both national classification and IPC

B. FIELDS SEARCHED
Minimum documentation searched (classification system followed by classification symbols)
E21B

Documentation searched other than minimum documentation to the extent that such documents are included in the fields searched

Electronic data base consulted during the international search (name of data base and, where practicable, search terms used)
EPO-Internal, WPI Data

C. DOCUMENTS CONSIDERED TO BE RELEVANT

| Category* | Citation of document, with indication, where appropriate, of the relevant passages | Relevant to claim No. |
|-----------|---|-----------------------|
| X | WO 2009/132300 A2 (CAMERON INT CORP [US]; FISHER EDMUND A [US]; WHITBY MELVYN F [US]; KRO) 29 October 2009 (2009-10-29) abstract paragraphs [0010], [0086], [0113], [0114] claims 8,10 paragraphs [0088] - [0093] paragraph [0097] | 1-40 |
| X | WO 2010/017200 A2 (CAMERON INT CORP [US]; KOTRLA JOHNNIE [US]; KENNEDY MAC [US]; COOPER N) 11 February 2010 (2010-02-11) abstract paragraphs [0007], [0015] - [0017], [0005] - [0006] figures 1,2 paragraphs [0018] - [0021] | 1-40 |

Further documents are listed in the continuation of Box C.

See patent family annex.

* Special categories of cited documents :

- "A" document defining the general state of the art which is not considered to be of particular relevance
- "E" earlier application or patent but published on or after the international filing date
- "L" document which may throw doubts on priority claim(s) or which is cited to establish the publication date of another citation or other special reason (as specified)
- "O" document referring to an oral disclosure, use, exhibition or other means
- "P" document published prior to the international filing date but later than the priority date claimed

"T" later document published after the international filing date or priority date and not in conflict with the application but cited to understand the principle or theory underlying the invention

"X" document of particular relevance; the claimed invention cannot be considered novel or cannot be considered to involve an inventive step when the document is taken alone

"Y" document of particular relevance; the claimed invention cannot be considered to involve an inventive step when the document is combined with one or more other such documents, such combination being obvious to a person skilled in the art

"&" document member of the same patent family

Date of the actual completion of the international search

20 September 2013

Date of mailing of the international search report

16/10/2013

Name and mailing address of the ISA/

European Patent Office, P.B. 5818 Patentlaan 2
NL - 2280 HV Rijswijk
Tel. (+31-70) 340-2040,
Fax: (+31-70) 340-3016

Authorized officer

Wehland, Florian

INTERNATIONAL SEARCH REPORT

Information on patent family members

International application No

PCT/US2012/035274

| Patent document cited in search report | Publication date | Patent family member(s) | Publication date |
|--|------------------|-------------------------|------------------|
| WO 2009132300 | A2 | 29-10-2009 | |
| | | GB 2471824 A | 12-01-2011 |
| | | US 2012279720 A1 | 08-11-2012 |
| | | WO 2009132300 A2 | 29-10-2009 |
| ----- | | | |
| WO 2010017200 | A2 | 11-02-2010 | |
| | | GB 2476185 A | 15-06-2011 |
| | | GB 2490984 A | 21-11-2012 |
| | | US 2011147002 A1 | 23-06-2011 |
| | | WO 2010017200 A2 | 11-02-2010 |
| ----- | | | |