

(19) World Intellectual Property
Organization
International Bureau



(43) International Publication Date
18 November 2004 (18.11.2004)

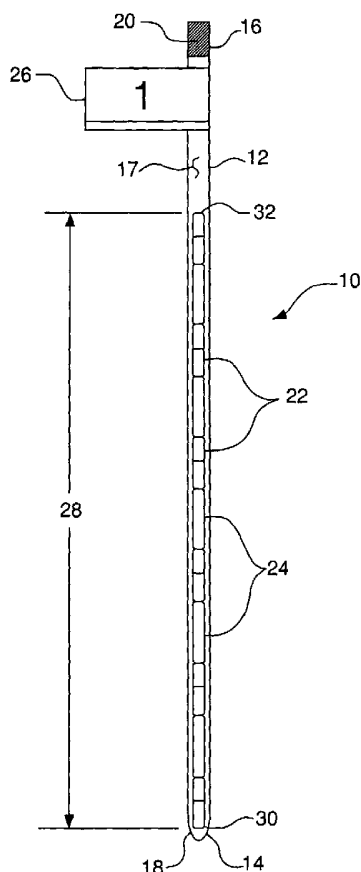
PCT

(10) International Publication Number
WO 2004/098711 A3

- (51) International Patent Classification⁷: **A61N 5/10** Québec J7T 2C3 (CA). **RIDDOCH, William R.** [CA/CA]; 4931 rue Genevieve, Pierrefonds, Québec H9J 1S6 (CA).
- (21) International Application Number: PCT/CA2004/000677 **MOREL, Pierre** [CA/CA]; 502-111 rue Bruce, Kirkland, Québec H9H 4B7 (CA).
- (22) International Filing Date: 5 May 2004 (05.05.2004) (74) Agent: **MCCARTHY TÉTRAULT LLP**; BRITT, Katherine, ARTOLA, Daniel A., Le Windsor, 1170 Peel Street, Montreal, Québec H3B 4S8 (CA).
- (25) Filing Language: English
- (26) Publication Language: English
- (30) Priority Data: 10/430,107 5 May 2003 (05.05.2003) US (81) Designated States (unless otherwise indicated, for every kind of national protection available): AE, AG, AL, AM, AT, AU, AZ, BA, BB, BG, BR, BW, BY, BZ, CA, CH, CN, CO, CR, CU, CZ, DE, DK, DM, DZ, EC, EE, EG, ES, FI, GB, GD, GE, GH, GM, HR, HU, ID, IL, IN, IS, JP, KE, KG, KP, KR, KZ, LC, LK, LR, LS, LT, LU, LV, MA, MD, MG, MK, MN, MW, MX, MZ, NA, NI, NO, NZ, OM, PG, PH, PL, PT, RO, RU, SC, SD, SE, SG, SK, SL, SY, TJ, TM, TN, TR, TT, TZ, UA, UG, US, UZ, VC, VN, YU, ZA, ZM, ZW.
- (71) Applicant (for all designated States except US): **DRAX-IMAGE INC.** [CA/CA]; 16751 TransCanada Highway, Kirkland, Québec H9H 4J4 (CA).
- (72) Inventors; and
- (75) Inventors/Applicants (for US only): **FLANAGAN, Richard J.** [CA/CA]; 2648 rue Charlebois, Sainte-Lazare, (84) Designated States (unless otherwise indicated, for every kind of regional protection available): ARIPO (BW, GH,

[Continued on next page]

(54) Title: BRACHYTHERAPY SEED TRANSPORT DEVICES AND METHODS FOR USING SAME



(57) Abstract: Devices, systems, and methods are provided for transporting implants. In one embodiment, the implants are radioactive seeds contained within substantially transparent sleeves that can be sealed at both ends. Multiple sleeves can be placed in a transfer device that, in turn, can be placed in a canister for further protection. The entire assembly can be sterilized prior to shipment to the user. Upon receipt, one can verify the loading pattern and activity of each sleeve, open one of the seals, and transfer the contents into a brachytherapy needle.

WO 2004/098711 A3



GM, KE, LS, MW, MZ, NA, SD, SL, SZ, TZ, UG, ZM, ZW), Eurasian (AM, AZ, BY, KG, KZ, MD, RU, TJ, TM), European (AT, BE, BG, CH, CY, CZ, DE, DK, EE, ES, FI, FR, GB, GR, HU, IE, IT, LU, MC, NL, PL, PT, RO, SE, SI, SK, TR), OAPI (BF, BJ, CF, CG, CI, CM, GA, GN, GQ, GW, ML, MR, NE, SN, TD, TG).

— *before the expiration of the time limit for amending the claims and to be republished in the event of receipt of amendments*

(88) Date of publication of the international search report:
20 January 2005

Published:

— *with international search report*

For two-letter codes and other abbreviations, refer to the "Guidance Notes on Codes and Abbreviations" appearing at the beginning of each regular issue of the PCT Gazette.

INTERNATIONAL SEARCH REPORT

International Application No
PCT/CA2004/000677

A. CLASSIFICATION OF SUBJECT MATTER IPC 7 A61N5/10		
According to International Patent Classification (IPC) or to both national classification and IPC		
B. FIELDS SEARCHED		
Minimum documentation searched (classification system followed by classification symbols) IPC 7 A61N		
Documentation searched other than minimum documentation to the extent that such documents are included in the fields searched		
Electronic data base consulted during the international search (name of data base and, where practical, search terms used) EPO-Internal		
C. DOCUMENTS CONSIDERED TO BE RELEVANT		
Category °	Citation of document, with indication, where appropriate, of the relevant passages	Relevant to claim No.
X	US 6 530 875 B1 (TAYLOR JOHN ET AL) 11 March 2003 (2003-03-11) cited in the application column 9, line 13 - column 11, line 28 -----	1-14
X	US 5 906 574 A (KAN WILLIAM C) 25 May 1999 (1999-05-25) column 9, line 6 - line 33 column 6, line 48 - line 58 -----	1-4,23, 24,26-31
A	-----	25
A	US 6 554 760 B2 (TERWILLIGER RICHARD A ET AL) 29 April 2003 (2003-04-29) column 4, line 61 - line 67 -----	1,23,31
A	US 5 928 130 A (SCHMIDT BRUNO) 27 July 1999 (1999-07-27) column 3, line 1 - line 12 -----	1,23,31
<input type="checkbox"/> Further documents are listed in the continuation of box C. <input checked="" type="checkbox"/> Patent family members are listed in annex.		
° Special categories of cited documents :		
"A" document defining the general state of the art which is not considered to be of particular relevance "E" earlier document but published on or after the international filing date "L" document which may throw doubts on priority claim(s) or which is cited to establish the publication date of another citation or other special reason (as specified) "O" document referring to an oral disclosure, use, exhibition or other means "P" document published prior to the international filing date but later than the priority date claimed	"T" later document published after the international filing date or priority date and not in conflict with the application but cited to understand the principle or theory underlying the invention "X" document of particular relevance; the claimed invention cannot be considered novel or cannot be considered to involve an inventive step when the document is taken alone "Y" document of particular relevance; the claimed invention cannot be considered to involve an inventive step when the document is combined with one or more other such documents, such combination being obvious to a person skilled in the art. "&" document member of the same patent family	
Date of the actual completion of the international search <div style="text-align: center; font-size: 1.2em;">16 July 2004</div>	Date of mailing of the international search report <div style="text-align: center; font-size: 1.2em;">08 NOV 2004</div>	
Name and mailing address of the ISA European Patent Office, P.B. 5818 Patentlaan 2 NL - 2280 HV Rijswijk Tel. (+31-70) 340-2040, Tx. 31 651 epo nl, Fax: (+31-70) 340-3016	Authorized officer <div style="text-align: center; font-size: 1.2em;">Petter, E</div>	

INTERNATIONAL SEARCH REPORT

International application No.
PCT/CA2004/000677

Box II Observations where certain claims were found unsearchable (Continuation of item 2 of first sheet)

This International Search Report has not been established in respect of certain claims under Article 17(2)(a) for the following reasons:

1. Claims Nos.:
because they relate to subject matter not required to be searched by this Authority, namely:

2. Claims Nos.:
because they relate to parts of the International Application that do not comply with the prescribed requirements to such an extent that no meaningful International Search can be carried out, specifically:

3. Claims Nos.:
because they are dependent claims and are not drafted in accordance with the second and third sentences of Rule 6.4(a).

Box III Observations where unity of invention is lacking (Continuation of item 3 of first sheet)

This International Searching Authority found multiple inventions in this international application, as follows:

see additional sheet

1. As all required additional search fees were timely paid by the applicant, this International Search Report covers all searchable claims.
2. As all searchable claims could be searched without effort justifying an additional fee, this Authority did not invite payment of any additional fee.
3. As only some of the required additional search fees were timely paid by the applicant, this International Search Report covers only those claims for which fees were paid, specifically claims Nos.:
4. No required additional search fees were timely paid by the applicant. Consequently, this International Search Report is restricted to the invention first mentioned in the claims; it is covered by claims Nos.:

1-14, 23-31

Remark on Protest

- The additional search fees were accompanied by the applicant's protest.
- No protest accompanied the payment of additional search fees.

This International Searching Authority found multiple (groups of) inventions in this international application, as follows:

1. claims: 1-14,23-31

Transparent sleeve for brachytherapy seeds and method for its use

2. claims: 15-22,32-42

Transfer device for storing brachytherapy sleeves and method for its use

INTERNATIONAL SEARCH REPORT

International Application No
PCT/CA2004/000677

Patent document cited in search report	Publication date	Patent family member(s)	Publication date	
US 6530875	B1	11-03-2003	AU 9693601 A	06-05-2002
			WO 0234325 A1	02-05-2002
			US 2003109769 A1	12-06-2003
			US 2003171639 A1	11-09-2003

US 5906574	A	25-05-1999	NONE	

US 6554760	B2	25-04-2002	US 2002049411 A1	25-04-2002
			EP 1377342 A2	07-01-2004
			WO 03028808 A2	10-04-2003

US 5928130	A	27-07-1999	WO 0174438 A1	11-10-2001
