



US00D935511S

(12) **United States Design Patent**
Asai

(10) **Patent No.:** **US D935,511 S**

(45) **Date of Patent:** **** Nov. 9, 2021**

(54) **PLANETARIUM PROJECTOR**

D294,715 S * 3/1988 Hattori D19/59
D773,549 S * 12/2016 Tompkin D16/229
D848,515 S * 5/2019 Asai D16/225

(71) Applicant: **Konica Minolta Planetarium Co., Ltd.**, Tokyo (JP)

* cited by examiner

(72) Inventor: **Tomonari Asai**, Hachioji (JP)

Primary Examiner — Wan Laymon

(73) Assignee: **KONICA MINOLTA PLANETARIUM CO., LTD.**, Tokyo (JP)

(74) *Attorney, Agent, or Firm* — Buchanan Ingersoll & Rooney PC

(**) Term: **15 Years**

(57) **CLAIM**

(21) Appl. No.: **29/704,939**

The ornamental design for a planetarium projector, as shown and described.

(22) Filed: **Sep. 9, 2019**

(30) **Foreign Application Priority Data**

DESCRIPTION

Mar. 13, 2019 (JP) 2019-005231

(51) **LOC (13) Cl.** **16-02**

(52) **U.S. Cl.**
USPC **D16/225**

(58) **Field of Classification Search**
USPC D16/221, 225, 236; D19/59, 62
CPC G09B 27/00; G09B 27/02; G03B 21/145;
G03B 21/14; G03B 21/142; G03B 21/00
See application file for complete search history.

FIG. 1 is a front elevational view of a planetarium projector showing my new design.
FIG. 2 is a rear elevational view thereof.
FIG. 3 is a left side elevational view thereof.
FIG. 4 is a right side elevational view thereof.
FIG. 5 is a top plan view thereof.
FIG. 6 is a bottom plan view thereof.
FIG. 7 is a front, left side and top perspective view thereof.
FIG. 8 is a rear, right side and top perspective view thereof.
FIG. 9 is a cross section taken along line 9-9 shown in FIG. 1; and,
FIG. 10 is a cross section taken along line 10-10 shown in FIG. 3.

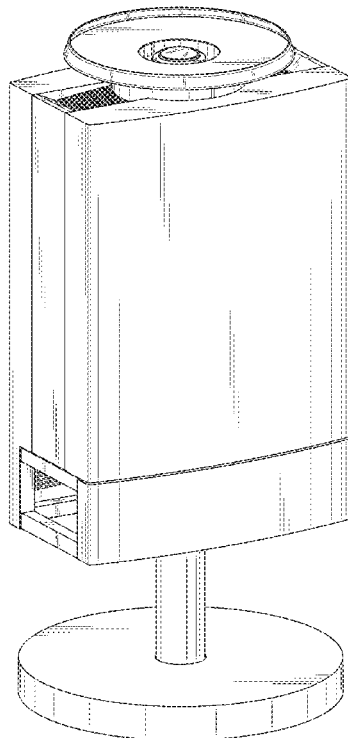
The broken lines shown in the figures form no part of the claimed design.

(56) **References Cited**

U.S. PATENT DOCUMENTS

4,588,384 A * 5/1986 Shiba G09B 27/00
434/286
4,606,627 A * 8/1986 Hattori G09B 27/00
353/119

1 Claim, 9 Drawing Sheets



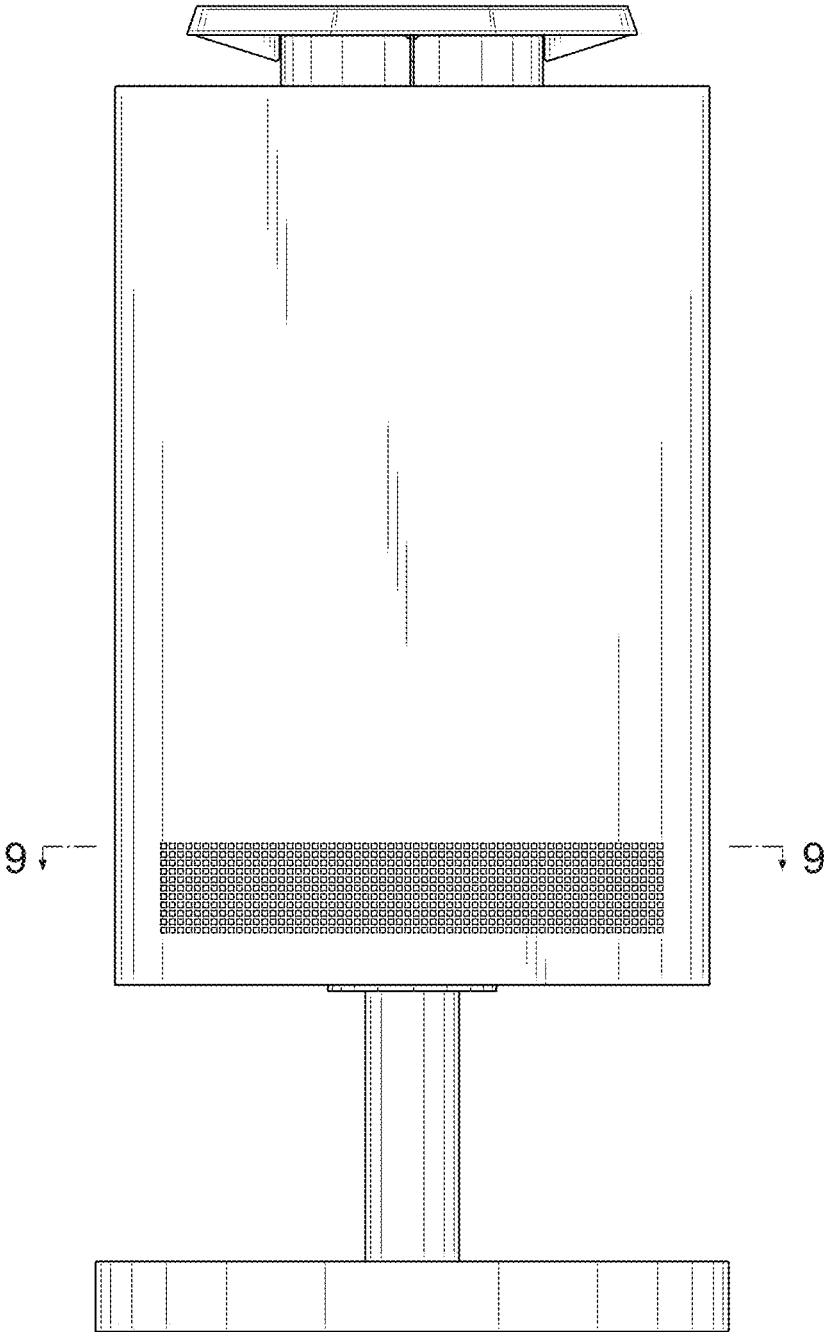


FIG. 1

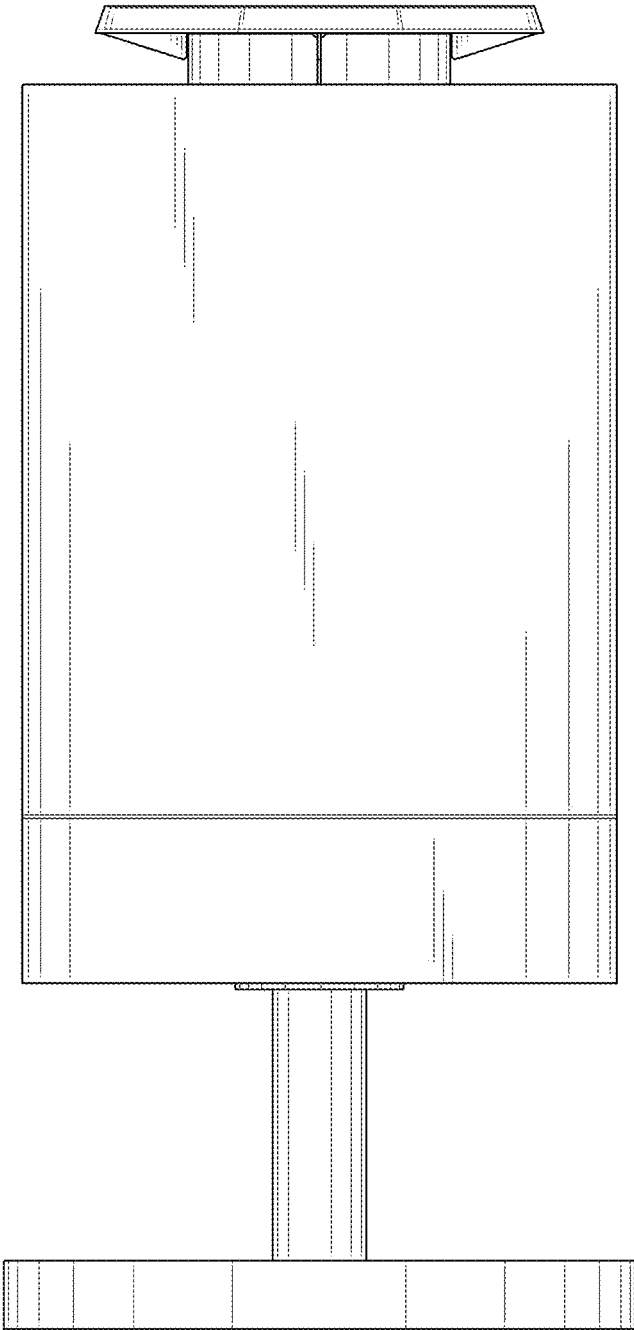


FIG. 2

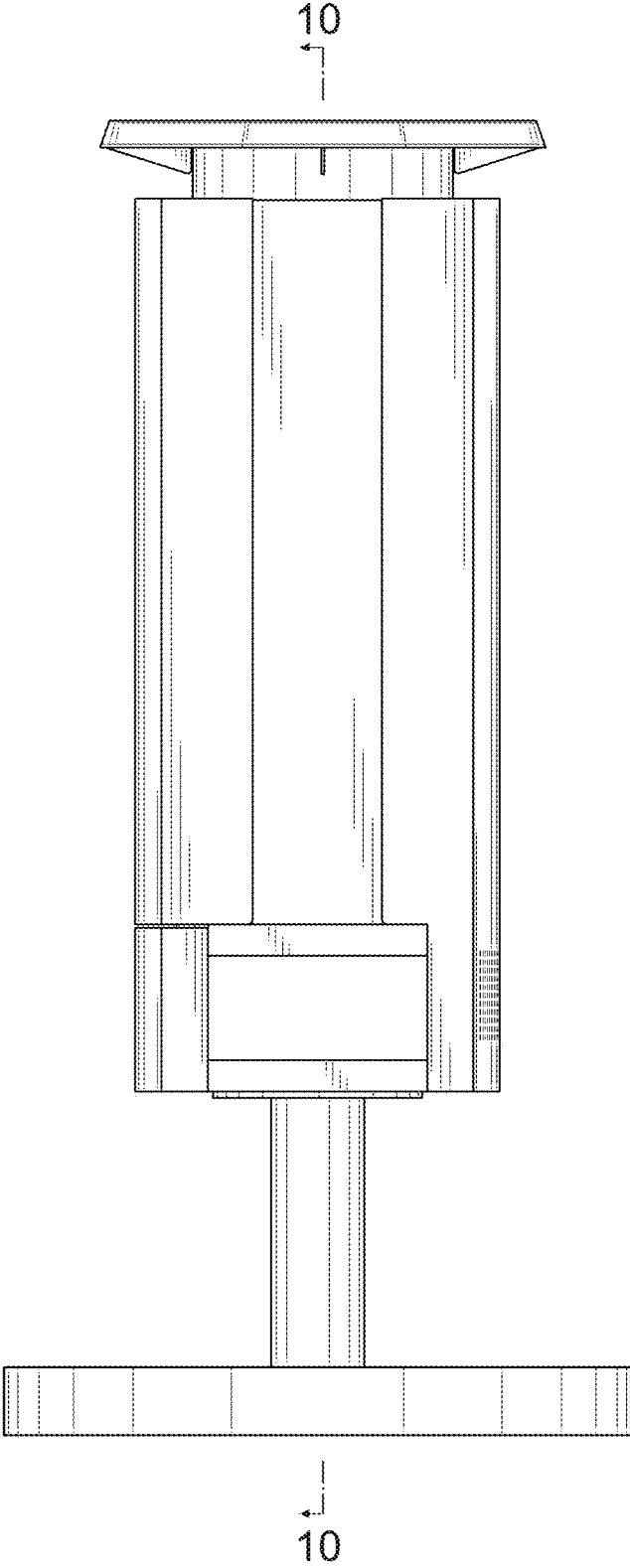


FIG. 3

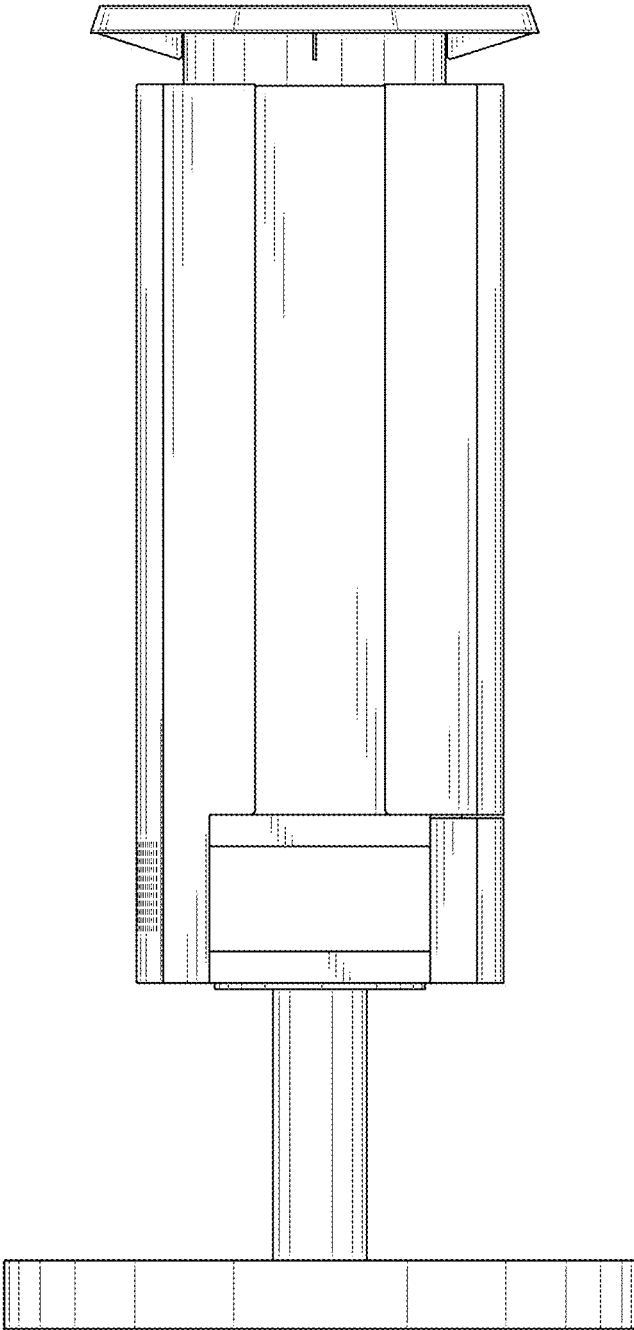


FIG. 4

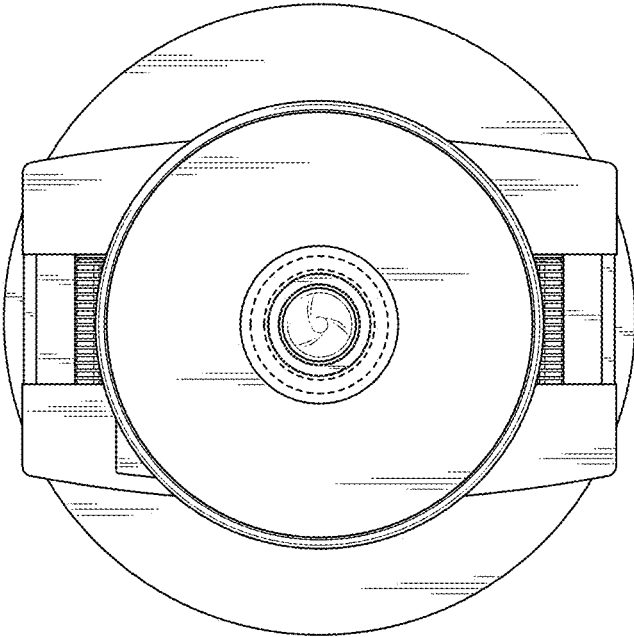


FIG. 5

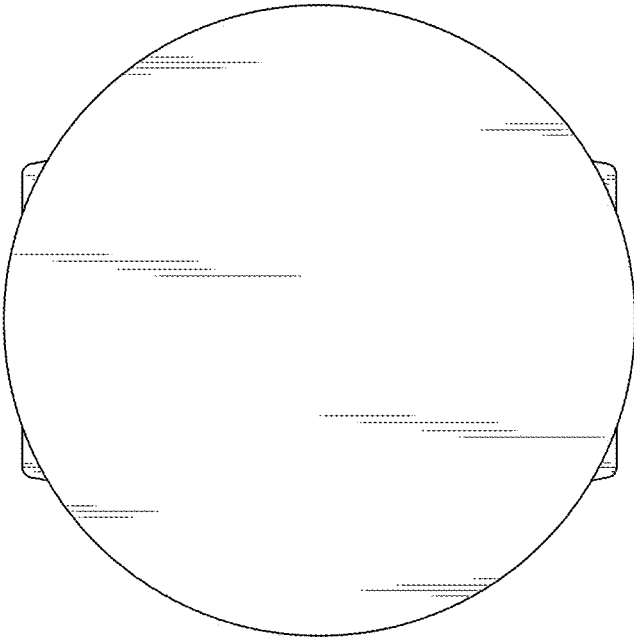


FIG. 6

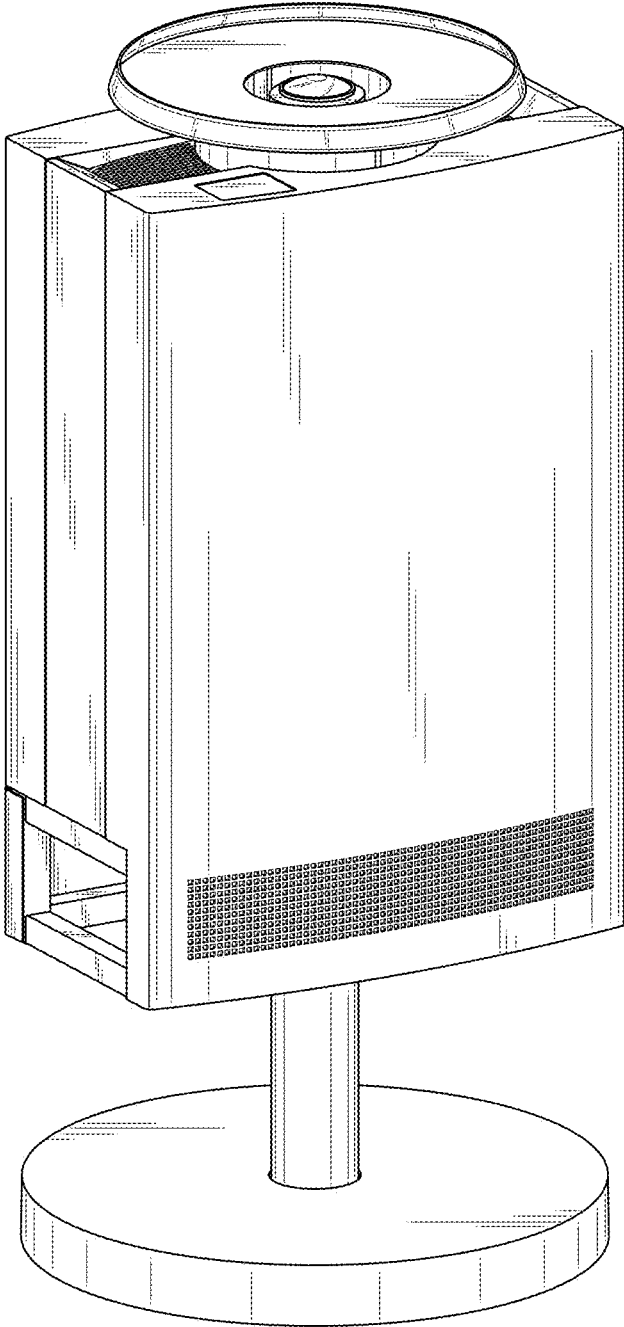


FIG. 7

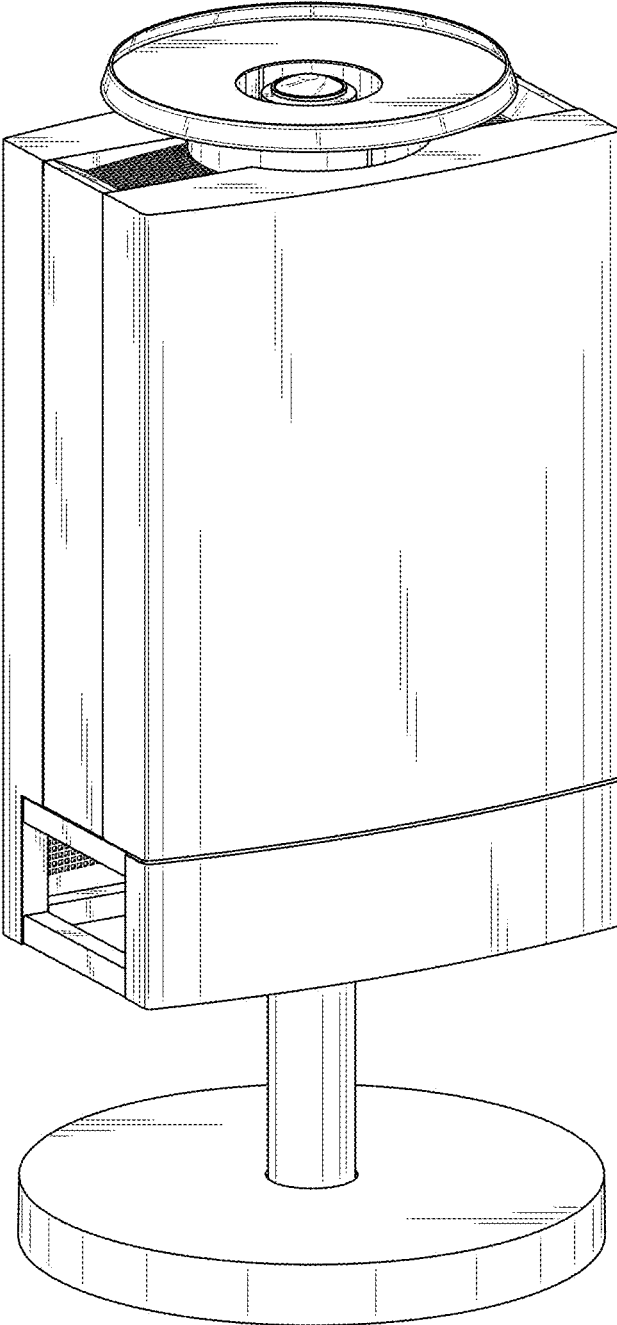


FIG. 8

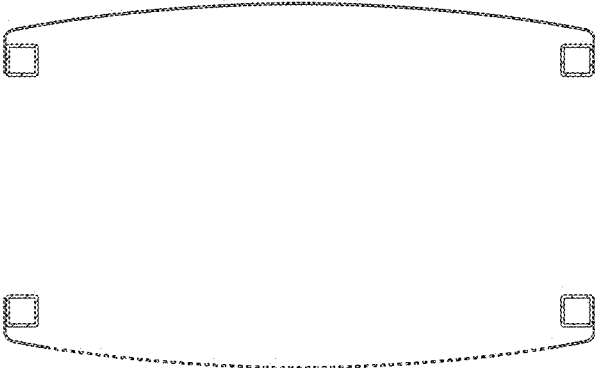


FIG. 9

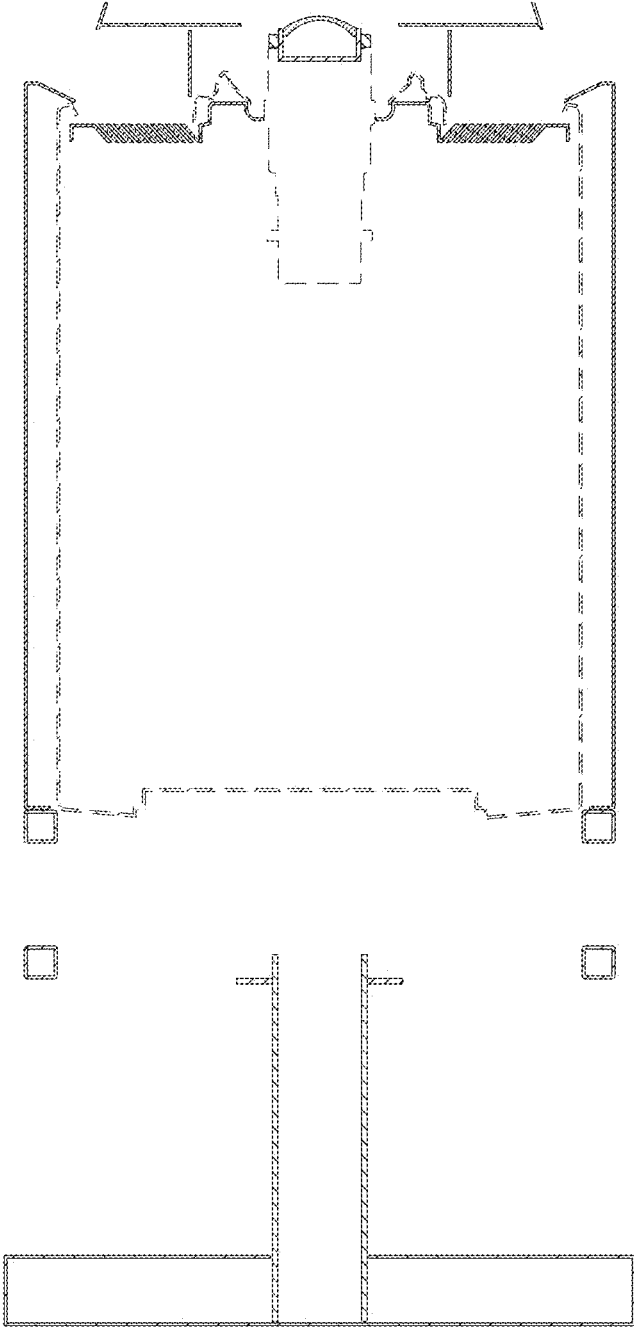


FIG. 10