



(86) Date de dépôt PCT/PCT Filing Date: 2012/06/16
 (87) Date publication PCT/PCT Publication Date: 2012/10/26
 (85) Entrée phase nationale/National Entry: 2013/03/19
 (86) N° demande PCT/PCT Application No.: EP 2012/061537
 (87) N° publication PCT/PCT Publication No.: 2012/143575

(51) Cl.Int./Int.Cl. *E01C 19/05* (2006.01)
 (71) Demandeur/Applicant:
 E-MAK MAKINA INSAAT TICARET VE SANAYI A.S., TR
 (72) Inventeur/Inventor:
 GENCER, MEHMET NEZIR, TR
 (74) Agent: NEXUS LAW GROUP LLP

(54) Titre : SECHOIR VERTICAL
 (54) Title: A VERTICAL DRIER

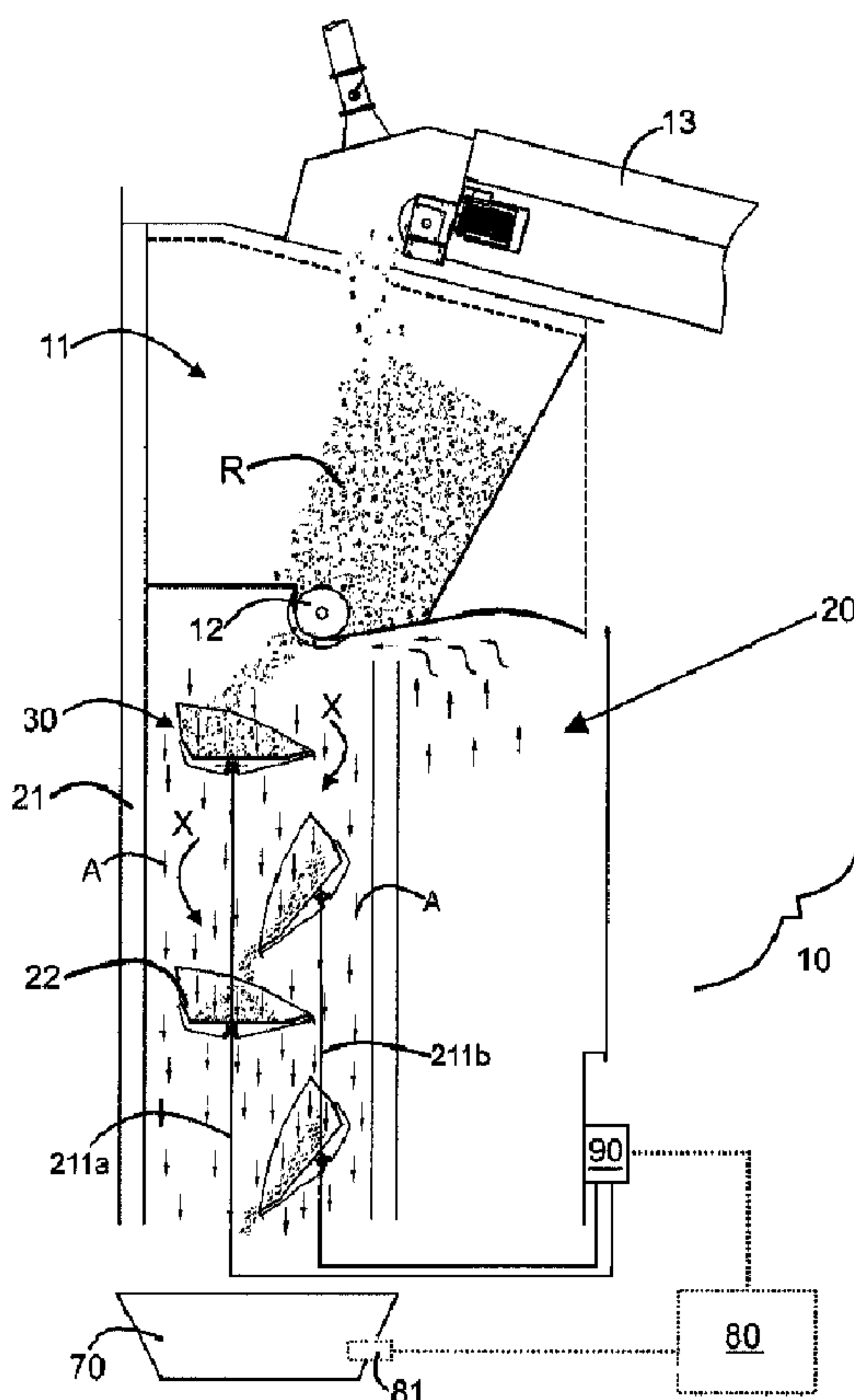


Figure 1

(57) Abrégé/Abstract:

The present invention is a vertical drier (20) which dries the asphalt road upper structural members like aggregate and like asphalt coating which is desired to be recycled (RAP) and which takes the humidity of said asphalt road upper structural members; and



(57) **Abrégé(suite)/Abstract(continued):**

which has a vertical body (21) having an end through which said members are discharged and having another end which is opened to an accumulation compartment (70); and where the hot air, heated by a heat source, is transferred inside said body (21). Said drier (20) is characterized by comprising at least one drying box (30) which has a chamber (34) form where the poured members are accumulated in the inner part thereof and which extends orthogonally to the flow direction inside the body (21); in order to keep the members, which pour inside said body (21) from an inlet part, for certain duration and in order to transfer said members from the outlet part to the accumulation compartment (70) step by step.

(12) INTERNATIONAL APPLICATION PUBLISHED UNDER THE PATENT COOPERATION TREATY (PCT)

(19) World Intellectual Property
Organization
International Bureau(10) International Publication Number
WO 2012/143575 A3(43) International Publication Date
26 October 2012 (26.10.2012)

- (51) **International Patent Classification:**
E01C 19/05 (2006.01)
- (21) **International Application Number:**
PCT/EP2012/061537
- (22) **International Filing Date:**
16 June 2012 (16.06.2012)
- (25) **Filing Language:** English
- (26) **Publication Language:** English
- (30) **Priority Data:**
2011/02917 18 April 2011 (18.04.2011) TR
- (71) **Applicant (for all designated States except US):** E-MAK
MAKINA INSAAT TICARET VE SANAYI A.S.
[TR/TR]; Yunuseli M.fuat Kuscuoğlu Cad.no:75, Simge
Tesisleri, Osmangazi, Bursa (TR).
- (72) **Inventor; and**
- (75) **Inventor/Applicant (for US only):** GENÇER, Mehmet
Nezir [TR/TR]; Yunuseli M.fuat Kuscuoğlu Cad.no:75,
Simge Tesisleri, Osmangazi, Bursa (TR).
- (74) **Agent:** KAYA, Erdem; Bilen Patent, Inc., Hudavendigar
Mh. Bent Cad. No:163/B, Osmangazi, 16090 Bursa (TR).
- (81) **Designated States (unless otherwise indicated, for every
kind of national protection available):** AE, AG, AL, AM,
AO, AT, AU, AZ, BA, BB, BG, BH, BR, BW, BY, BZ,
CA, CH, CL, CN, CO, CR, CU, CZ, DE, DK, DM, DO,
DZ, EC, EE, EG, ES, FI, GB, GD, GE, GH, GM, GT, HN,
HR, HU, ID, IL, IN, IS, JP, KE, KG, KM, KN, KP, KR,
KZ, LA, LC, LK, LR, LS, LT, LU, LY, MA, MD, ME,
MG, MK, MN, MW, MX, MY, MZ, NA, NG, NI, NO, NZ,
OM, PE, PG, PH, PL, PT, QA, RO, RS, RU, RW, SC, SD,
SE, SG, SK, SL, SM, ST, SV, SY, TH, TJ, TM, TN, TR,
TT, TZ, UA, UG, US, UZ, VC, VN, ZA, ZM, ZW.
- (84) **Designated States (unless otherwise indicated, for every
kind of regional protection available):** ARIPO (BW, GH,
GM, KE, LR, LS, MW, MZ, NA, RW, SD, SL, SZ, TZ,
UG, ZM, ZW), Eurasian (AM, AZ, BY, KG, KZ, RU, TJ,
TM), European (AL, AT, BE, BG, CH, CY, CZ, DE, DK,
EE, ES, FI, FR, GB, GR, HR, HU, IE, IS, IT, LT, LU, LV,
MC, MK, MT, NL, NO, PL, PT, RO, RS, SE, SI, SK, SM,

[Continued on next page]

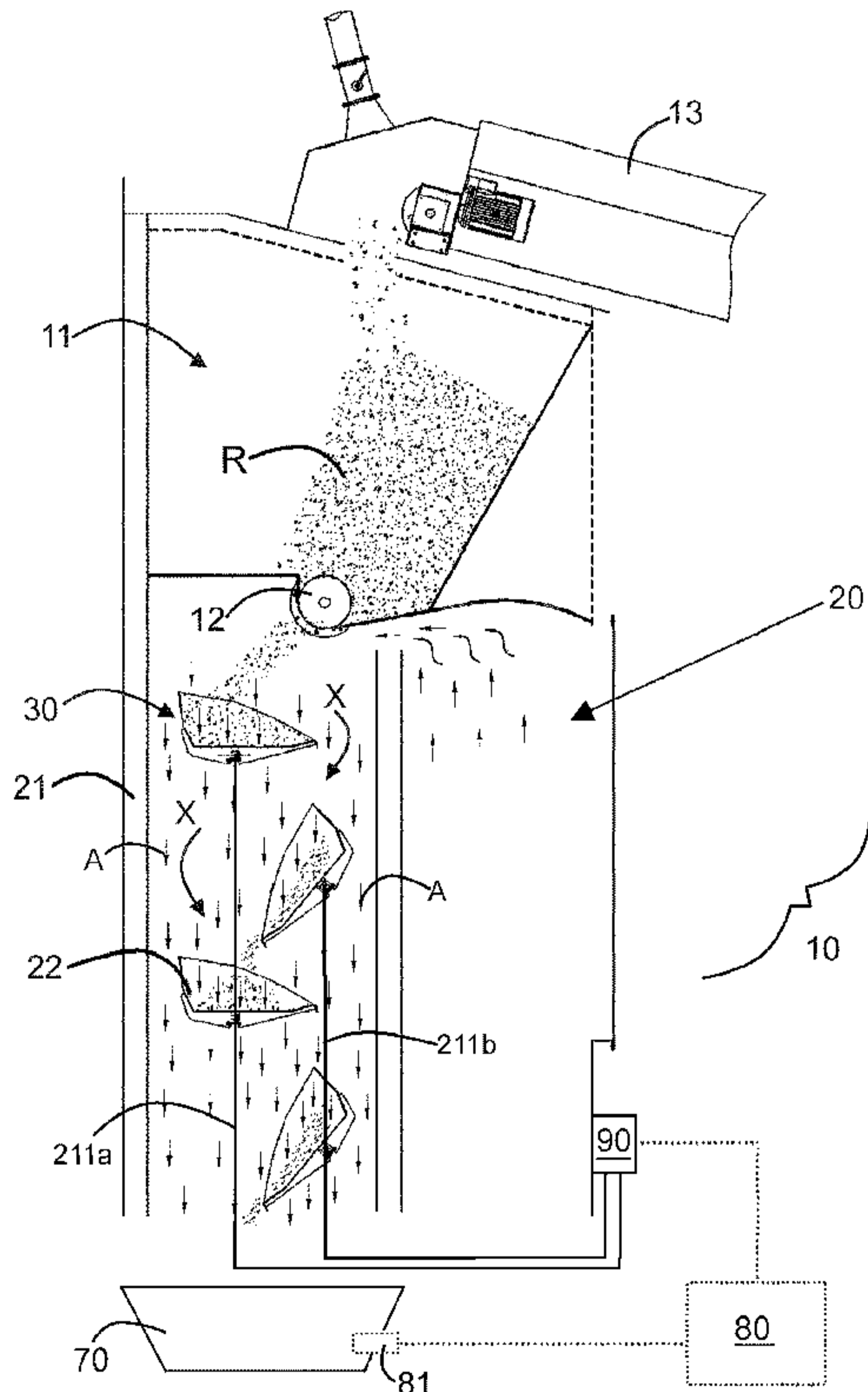
(54) **Title:** A VERTICAL DRIER

Figure 1

(57) **Abstract:** The present invention is a vertical drier (20) which dries the asphalt road upper structural members like aggregate and like asphalt coating which is desired to be recycled (RAP) and which takes the humidity of said asphalt road upper structural members; and which has a vertical body (21) having an end through which said members are discharged and having another end which is opened to an accumulation compartment (70); and where the hot air, heated by a heat source, is transferred inside said body (21). Said drier (20) is characterized by comprising at least one drying box (30) which has a chamber (34) form where the poured members are accumulated in the inner part thereof and which extends orthogonally to the flow direction inside the body (21); in order to keep the members, which pour inside said body (21) from an inlet part, for certain duration and in order to transfer said members from the outlet part to the accumulation compartment (70) step by step.

WO 2012/143575 A3 

TR), OAPI (BF, BJ, CF, CG, CI, CM, GA, GN, GQ, GW, ML, MR, NE, SN, TD, TG).

— *with information concerning request for restoration of the right of priority in respect of one or more priority claims (Rules 26bis.3 and 48.2(b)(vii))*

Published:

- *with international search report (Art. 21(3))*
- *before the expiration of the time limit for amending the claims and to be republished in the event of receipt of amendments (Rule 48.2(h))*

(88) Date of publication of the international search report:
31 January 2013

A VERTICAL DRIER

TECHNICAL FIELD

- 5 The present invention relates to driers providing the drying of asphalt road upper structural members and particularly relates to vertical driers regarding the prior art part of Claim 1.

KNOWN STATE OF THE ART

- 10 As known, there are pluralities of types of drier embodiments for providing the drying of materials. In general, said driers have a form so as to define a chamber, and hot air is applied inside the chambers; and products or objects are dried inside said chamber.

- In the patent application TR200607503, a drier system is disclosed which is designed for
15 drying legumes and cereals. Said system functions as follows: The humid product, which is entered to the tower from above, is poured to the cabinets at a certain speed downwardly and said product is heated by means of the vapor transferred to the cabinets and at the bottom cabinet, the product is cooled. The product flows through the gaps and moves downwardly. The product is discharged by the variator which is positioned at the bottom and
20 which moves forwardly and backwardly, and the flow speed of the product is adjusted by the variator. The flow of the product is provided by means of the small gaps which are positioned between the gaps and which are positioned at the upper part of the variator. The air, used in the cabinet, is discharged by means of the suctioning pipes and the flow rate of the air is adjusted by means of the flaps and the pressure of the air is adjusted by means of the
25 bushings.

- In the patent application 2011/02838, the applicant discloses a recycling system which dries the RAP or aggregate and which takes the humidity in the RAP or aggregate. However, the drier mechanism of this system, which is novel and very advantageous, requires some
30 revisions.

BRIEF DESCRIPTION OF THE INVENTION

- The present invention is a drier, which eliminates the abovementioned problems and which
35 brings new advantages to the related technical field.

Another object of the present invention is to provide a drier which provides the RAP (Recycled Asphalt) and aggregate to be dried using less energy and to be dried in a more regular manner, in order to be used in new asphalt concrete production.

- 5 Another object of the present invention is to provide a system which brings the RAP and aggregate to the process temperature and which takes the humidity in the RAP or in the aggregate and which provides the RAP or aggregate to be dried.

10 In order to realize all of the abovementioned objects, the present invention is a vertical drier which dries the asphalt road upper structural members and which takes the humidity of said asphalt road upper structural members; and which has a vertical body having an end through which said members are discharged and having another end which is opened to an accumulation compartment; and where the hot air, heated by a heat source, is transferred inside said body. Said vertical drier is characterized by comprising at least one drying box
15 which has a chamber form where the poured members are accumulated in the inner part thereof and which extends orthogonally to the flow direction inside the body; in order to keep the members, which pour inside said body from an inlet part, for certain duration and in order to transfer said members from the outlet part to the accumulation compartment step by step.

- 20 In a preferred embodiment of the subject matter invention, said drying boxes are connected inside the drier body from the middle part thereof so as to move in the pouring direction around a shaft.

25 In another preferred embodiment of the subject matter invention, there is a drive member driving the shaft, in order to partially rotate the drying boxes on the first line in the pouring direction and in order to bring said drying boxes from the waiting position to the pouring position or in order to bring said drying boxes from the pouring position to the waiting position.

- 30 In another preferred embodiment of the subject matter invention, there is a drive member driving the shaft, in order to partially rotate the drying boxes on the second line in the pouring direction and in order to bring said drying boxes from the waiting position to the pouring position or in order to bring said drying boxes from the pouring position to the waiting position.

35

In another preferred embodiment of the subject matter invention, said drying box comprises pluralities of openings on the base part through which hot air can pass and through which the poured members can not pass.

- 5 In another preferred embodiment of the subject matter invention, the drying box comprises openings on the back part thereof through which air can pass.

In another preferred embodiment of the subject matter invention, said drying boxes are sequenced one under the other on the drier's first line and second line so that at least some
10 parts thereof will coincide in the vertical plane inside the drier.

In another preferred embodiment of the subject matter invention, said drying boxes are sequenced one under the other on the first line of the drier.

- 15 In another preferred embodiment of the subject matter invention, said drying boxes are positioned one under the other on the second line so as to correspond between the drying boxes which are positioned one under the other on the first line.

In another preferred embodiment of the subject matter invention, there is a sensor which
20 measures the temperature of the mixture which exits from said drier and which is accumulated in the accumulation compartment.

In another preferred embodiment of the subject matter invention, there is a control unit which adjusts the resting duration of the drying box in the waiting position and thereby which
25 provides the RAP to be heated more or less, according to the temperature value taken from the sensor.

In another preferred embodiment of the subject matter invention, there is also a second base part which extends parallel to the base part on the drying box's base part and which has
30 openings thereon.

In another preferred embodiment of the subject matter invention, the second base part extends up to the middle of the first base part.

- 35 In another preferred embodiment of the subject matter invention, there is at least one comb group which has teeth entering between the openings in order to remove the members accumulated between said openings.

In another preferred embodiment of the subject matter invention, there is a second comb group which has teeth entering between the openings on the second base part.

5 In another preferred embodiment of the subject matter invention, there is a rotary valve which provides pouring of the RAP from the RAP depot into the drier without taking cold air inside and in a controllable manner.

10 In another preferred embodiment of the subject matter invention, said rotary valve comprises a RAP inlet compartment facing the RAP depot; and a RAP outlet compartment facing the pouring chamber.

In another preferred embodiment of the subject matter invention, the air-tightness of said drier body is provided.

15 In another preferred embodiment of the subject matter invention, it is adapted to an asphalt plant.

20 In order for the embodiment and the advantages of the subject matter invention to be understood in the best manner with the additional elements, it has to be evaluated with the figures explained below.

BRIEF DESCRIPTION OF THE FIGURES

25 In Figure 1, a representative view of the subject matter drier is given.

In Figure 2a, the top perspective view of the waiting member is given.

In Figure 2b, the detailed view of the view given in Figure 2a is given.

30 In Figure 3a, the perspective view of the waiting member is given from another perspective.

In Figure 3b, the detailed view of the view illustrated in Figure 3a is given.

In Figure 4a, the bottom perspective view of the waiting member is given.

35

In Figure 4b, the detailed view of the view illustrated in Figure 4a is given.

REFERENCE NUMBERS

10 Asphalt plant	33 Back part
11 RAP depot	331 Opening
12 Rotary valve	34 Chamber
13 Feeding conveyor	40 First comb group
20 Drier	41 Tooth
21 Body	50 Second comb group
211a First line	51 Tooth
211b Second line	60 Shaft
30 Drying box	70 Accumulation compartment
31 Base part	80 Control unit
311 Opening	81 Sensor
32 Second base part	90 Drive member
321 Opening	X: Pouring direction
	A: Hot air

THE DETAILED DESCRIPTION OF THE INVENTION

5

In this detailed description, the subject matter vertical drier (20) embodiment is explained with references to the annexed figures without forming any restrictive effect in order to make the subject more understandable. The subject matter vertical drier (20) is assumed to be applied to an asphalt plant (10) and it is assumed to be used in drying of aggregate and recycled asphalt concrete (hereafter, it will be called RAP), however, with minor revisions, the subject matter invention can also be used in drying of cereal products like wheat and drying of other products in granule form.

15

20

With reference to Figure 1, the subject matter vertical drier (20) comprises a rectangular prism like body extending vertically. The RAP or the aggregate, existing in the RAP silo and in the aggregate silo (not illustrated in the figure), is carried by a conveyor (13) and it is poured downwardly to the drier (20) through an inlet part in the vertical direction. The drier (20) extends vertically upwardly from an accumulation compartment (70) where the dried RAP or the aggregate is accumulated. The RAP and the aggregate, which is emptied into the drier (20) from the inlet part, are accumulated in the accumulation compartment (70) through the outlet part. The drier (20) is preferably in the form of a rectangular prism, however, in the alternative embodiment, it can also have a cylindrical form. The RAP or the aggregate, which

is to be dried, is poured from the drier (20) into the accumulation compartment (70) in a controllable manner and so as to wait for certain time duration. In order to provide this, there are drying boxes (30) positioned inside the drier (20). Said drying boxes (30) have a basket like form; and they comprise a chamber form (34) wherein the RAP or the aggregate can accumulate. The drying boxes (30) are sequenced inside the drier (20) so as to be mutual and one above the other, in the distance from the upper part of the body (21) to the accumulation compartment (70). The drying boxes (30) existing on the body's (21) first line (211a) and the second line (211b) are sequenced so that some parts coincide in the vertical plane. Some parts of the drying box (30), existing on the first line (211a), coincide with some parts of the drying box (30) positioned on the second line (211b) which is below the first line (211a). When the RAP or the aggregate is poured into the drier (20) from the upper part thereof, it fills inside the chamber (34) of the drying box (30). After certain time duration, the drying box (30) is turned in the pouring direction (X) as required, the RAP or the aggregate, which exists inside, is poured into the drying box (30) chamber (34) existing at the lower part. Afterwards, the drying box (30), whereon RAP or aggregate is poured, is turned in the pouring direction (X) after certain time duration; and the RAP, existing inside the chamber (34), is poured to the chamber (34) of the drying box (30) existing at the lower part. The RAP or the aggregate continues these processes in an ordered manner and they finally reach the accumulation compartment (70). The drying boxes (30) exist one under the other on the first line (211a) of the drier (20). In the same manner, they are sequenced on the first line (211a) so as to correspond between the drying boxes (30) which are positioned one under the other, and the waiting members are sequenced on the second line (211b) so as to be one under the other. Firstly, the drying boxes (30) on the first line (211a) exist in the waiting position. Afterwards, the drying boxes (30) on the first line (211a) are turned in the pouring direction (X) by means of a drive member (90) and the drying boxes (30) take the pouring position. The drying boxes (30) are connected onto a shaft (60) by means of a hinge from the middle points thereof on the first line (211a). When a force is applied to the shaft (60) by means of the drive member (90), the shaft (60) rotates in the pouring direction (X). The RAP, existing inside the drying boxes (30), is poured into the chamber of the drying boxes (30) which exist in the waiting position and which are sequenced on the second line (211b). As a result, the drying boxes (30) on the second line (211b) are turned as required from the waiting position to the pouring position. In this case, the RAP or the aggregate, which exists inside the chamber (34) of the drying boxes (30) existing on the second line (211b), is poured to the chamber (34) of the drying boxes (30) existing in waiting position on the first line (211a). By means of this, the RAP or the aggregate passes from the drying boxes (30), which are sequenced on the first line (211a), to the drying boxes (30) which are sequenced on the second line (211b), and afterwards, the RAP or the aggregate passes from the drying boxes

(30), which exist on the second line (211b), to the drying boxes (30) on the first line (211a); and it advances to the accumulation compartment (70) in an ordered manner.

5 With reference to Figure 2a and 2b, on the base part (31) of the drying box (30), there are pluralities of openings (311) through which the hot air can pass. After RAP or aggregate is poured to the chamber (34) of the drying box (30), hot air is passed through said openings (311) in the flow direction. Since the RAP or the aggregate closes said openings (311), hot air will pass through the holes in a slower manner. By means of this, the RAP or the aggregate will be heated more. There are openings (331) also on the back part (33) of the
10 waiting member (30). The hot air passes through the openings (331) on said back part (33), and it advances inside the drier (20) in an easy manner. When the RAP, existing inside the drying box (30), is poured to the drying box (30) existing at the bottom, RAP or aggregate can enter between the openings (311) of the drying box (30). For removing the RAP or aggregate, which enters between the openings (311), there is a comb group (40) with teeth
15 (41) entering into said openings (311). As can be seen in Figure 4a and 4b, when the drying box (30) passes from the waiting position to the pouring position, said teeth (41) enter between the openings (311), and the RAP is removed from these openings. The number of teeth (41) in the comb group (40) is equal to the number of openings (311) existing on the base part (31) of the drying box (30). The comb group (40) preferably stays fixed. However,
20 in the alternative embodiment, the movement of the comb group can also be provided by means of a drive unit.

On the base part (31) of the drying box (30), there is also a second base part (32) which extends in a parallel manner to the base part (31). On the second base part (32), there are
25 openings (321) similar to the openings (311) on the base part (31). There is also a second comb group (50), which enters said openings (321). When the drying box (30) arrives at the pouring position from the waiting position, the second comb group (50) enters into the openings on the second base part (32). In a similar manner, the second comb group (50) comprises pluralities of teeth (51) which enter said openings (321).

30 In order to discharge the RAP into the drier (20) in a controlled manner, the RAP is transferred to the RAP depot (11) from the conveyor (13). The RAP depot (11) is positioned on the drier (20). The RAP is transferred to the RAP depot (11) and afterwards, from here, it is poured inside the drier (20). There is a rotary valve (12) which provides the RAP to flow
35 from the RAP depot (11) towards the drier (20) and which prevents said flow. The rotary valve (12) preferably has 5 compartments. The RAP, flowing from the conveyor (13), fills in the compartments of the valve in sequence. While the rotary valve (12) rotates around the

own axis thereof, the RAP, which fills in the compartments, is transferred inside the drier (20) in sequence. By means of this, for instance, when the drying boxes (30) existing on the first line (211a) are in waiting position, RAP flows to the drying boxes (30) from the compartment of the rotary valve (12). Afterwards, when the drying boxes (30) are in pouring position, the rotary valve (12) rotates as required, the inlet part of the RAP depot (11) is closed and thus the RAP does not flow. Thanks to the rotary valve (12), when the drying boxes (30) are in pouring position, the RAP flow from the RAP depot (11) is prevented.

There is a sensor (81) which measures the temperature of the RAP and of the aggregate accumulated in the accumulation compartment (70). Said sensor (81) is in connection with a control unit (80). The control unit (80) adjusts the waiting duration of the drying boxes (30) in the waiting position, according to the temperature of the mixture in the mixture chamber. For instance, if the temperature of the mixture is not at the desired temperature value, the drying boxes (30) stay in the waiting position for longer time duration. Thus, optimum temperature value is provided.

Hot air is applied inside the drier (20) from a heat source. Said hot air can be hot waste exhaust gas; or said hot air can be provided from the hot air formed inside the drier thanks to a burner or a separate air source existing in the asphalt plant. In order to provide the hot air applied inside the drier (20) to advance inside the drier (20), the air is drawn by vacuum from the bottom of the drier (20). Thanks to this, the hot air advances inside the drier (20) by passing from inside, from the above and from the sides of the drying boxes (30) and from every point inside the whole drier (20).

By means of the vertical drier (20) described above, less space is occupied and minimum energy is consumed and both the aggregate and the RAP are brought to the process temperature and the humidity inside is taken.

30

CLAIMS

- 5 1. A vertical drier (20) which dries the asphalt road upper structural members like aggregate and like asphalt coating which is desired to be recycled (RAP) and which takes the humidity of said asphalt road upper structural members; and which has a vertical body (21) having an end through which said members are discharged and having another end which is opened to an accumulation compartment (70); and where the hot air, heated by a heat source, is transferred inside said body (21),
10 **characterized** by comprising at least one drying box (30) which has a chamber (34) form where the poured members are accumulated in the inner part thereof and which extends orthogonally to the flow direction inside the body (21); in order to keep the members, which pour inside said body (21) from an inlet part, for certain duration and in order to transfer said members from the outlet part to the accumulation
15 compartment (70) step by step.
2. A vertical drier (20) according to Claim 1, characterized in that said drying boxes (30) are connected inside the drier (20) body (21) from the middle part thereof so as to move in the pouring direction (X) around a shaft (60).
- 20 3. A vertical drier (20) according to Claim 2, characterized in that there is a drive member (90) driving the shaft (60), in order to partially rotate the drying boxes (30) on the first line (211a) in the pouring direction (X) and in order to bring said drying boxes (30) from the waiting position to the pouring position or in order to bring said drying
25 boxes (30) from the pouring position to the waiting position.
4. A vertical drier (20) according to Claim 2, characterized in that there is a drive member (90) driving the shaft (60), in order to partially rotate the drying boxes (30) on the second line (211b) in the pouring direction (X) and in order to bring said drying
30 boxes (30) from the waiting position to the pouring position or in order to bring said drying boxes (30) from the pouring position to the waiting position.
5. A vertical drier (20) according to Claim 1, characterized in that said drying box (30) comprises pluralities of openings (311) on the base part (31) through which hot air
35 can pass and through which the poured members can not pass.
6. A vertical drier (20) according to Claim 1, characterized in that the drying box (30) comprises openings (331) on the back part (33) thereof through which air can pass.

7. A vertical drier (20) according to Claim 1, characterized in that said drying boxes (30) are sequenced one under the other on the drier's (20) first line (211a) and second line (211b) so that at least some parts thereof will coincide in the vertical plane inside the drier (20).
- 5
8. A vertical drier (20) according to Claim 7, characterized in that said drying boxes (30) are sequenced one under the other on the first line (211a) of the drier (20).
9. A vertical drier (20) according to Claim 8, characterized in that said drying boxes (30) are positioned one under the other on the second line (211b) so as to correspond between the drying boxes (30) which are positioned one under the other on the first line (211a).
- 10
10. A vertical drier (20) according to Claim 1, characterized in that there is a sensor (81) which measures the temperature of the mixture which exits from said drier (20) and which is accumulated in the accumulation compartment (70).
- 15
11. A vertical drier (20) according to Claim 1 or Claim 10, characterized in that there is a control unit (80) which adjusts the resting duration of the drying box (30) in the waiting position and thereby which provides the RAP to be heated more or less, according to the temperature value taken from the sensor (81).
- 20
12. A vertical drier (20) according to Claim 1, characterized in that there is also a second base part (32) which extends parallel to the base part (31) on the drying box's (30) base part (31) and which has openings (321) thereon.
- 25
13. A vertical drier (20) according to Claim 12, characterized in that the second base part (32) extends up to the middle of the first base part (31).
- 30
14. A vertical drier (20) according to Claim 1, characterized in that there is at least one comb group (40) which has teeth (41) entering between the openings (311) in order to remove the members accumulated between said openings (311).
- 35
15. A vertical drier (20) according to Claim 1, characterized in that there is a second comb group (50) which has teeth (51) entering between the openings (321) on the second base part (32).
- 40
16. A vertical drier (20) according to Claim 1, characterized in that there is a rotary valve (12) which provides pouring of the RAP from the RAP depot (11) into the drier (20) without taking cold air inside and in a controllable manner.

17. A vertical drier (20) according to Claim 16, characterized in that said rotary valve (12) comprises a RAP inlet compartment facing the RAP depot (11); and a RAP outlet compartment facing the pouring chamber (20).

5

18. A vertical drier (20) according to any one of the preceding claims, characterized in that it is adapted to an asphalt plant (10).

1/4

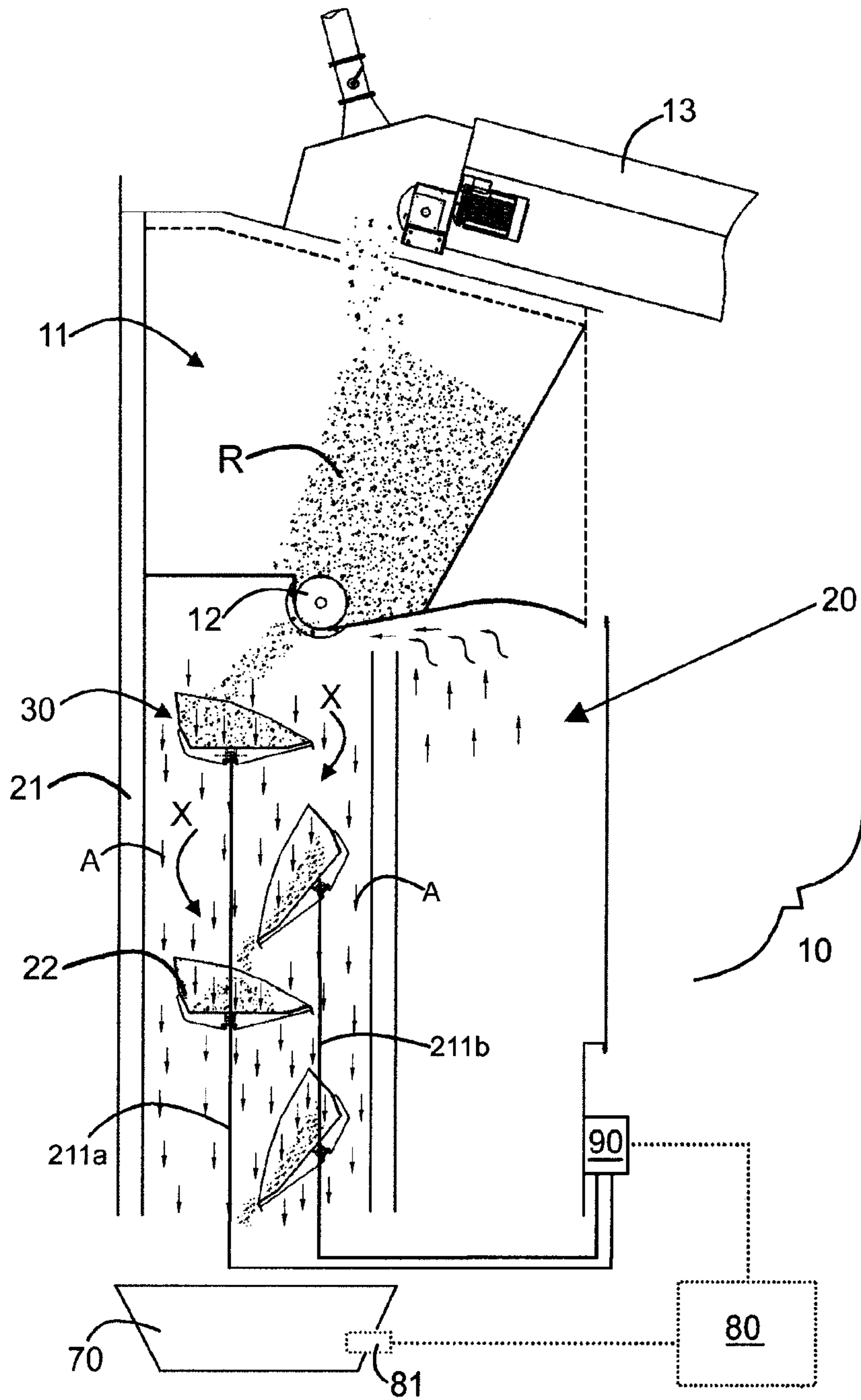
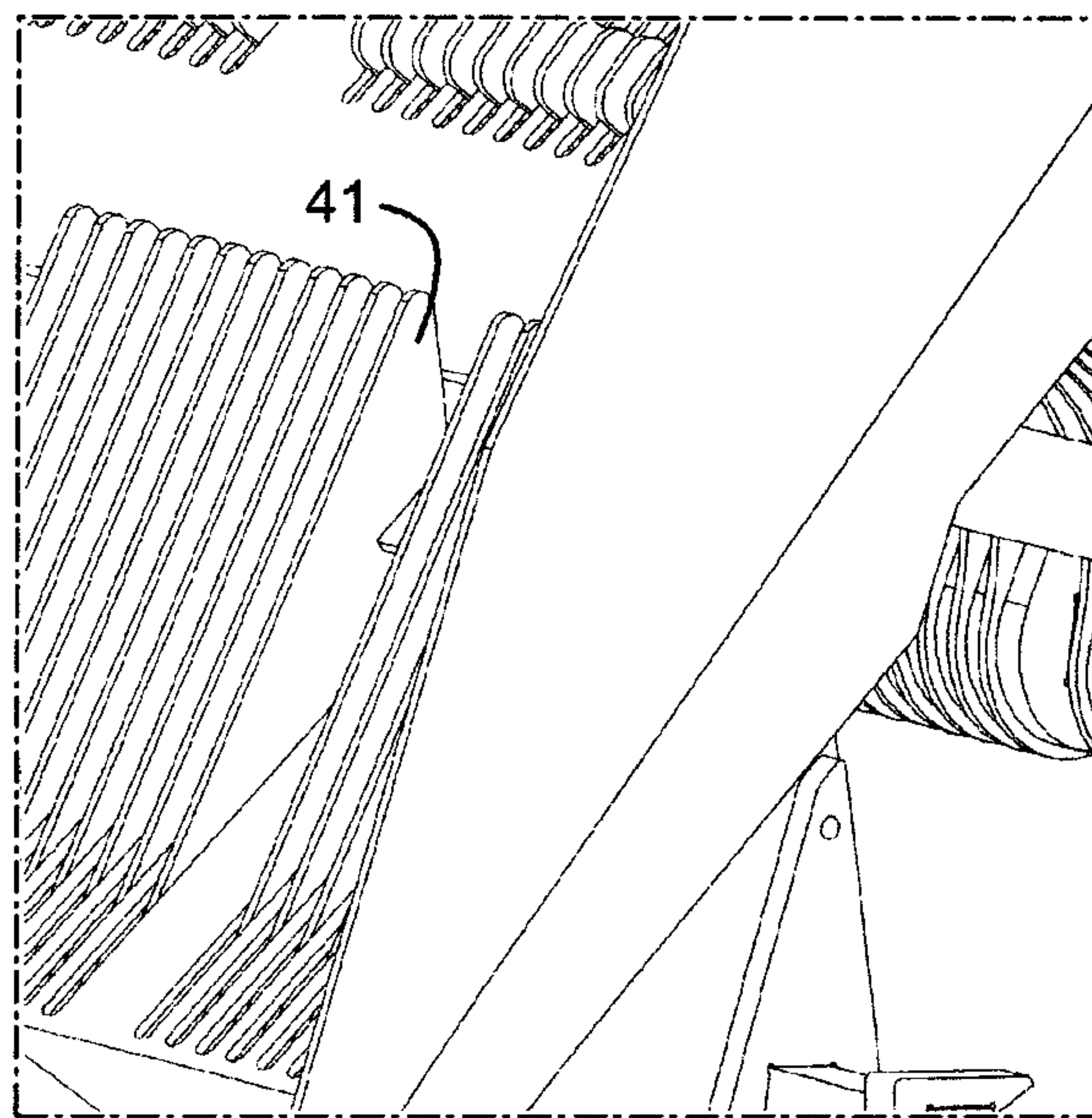
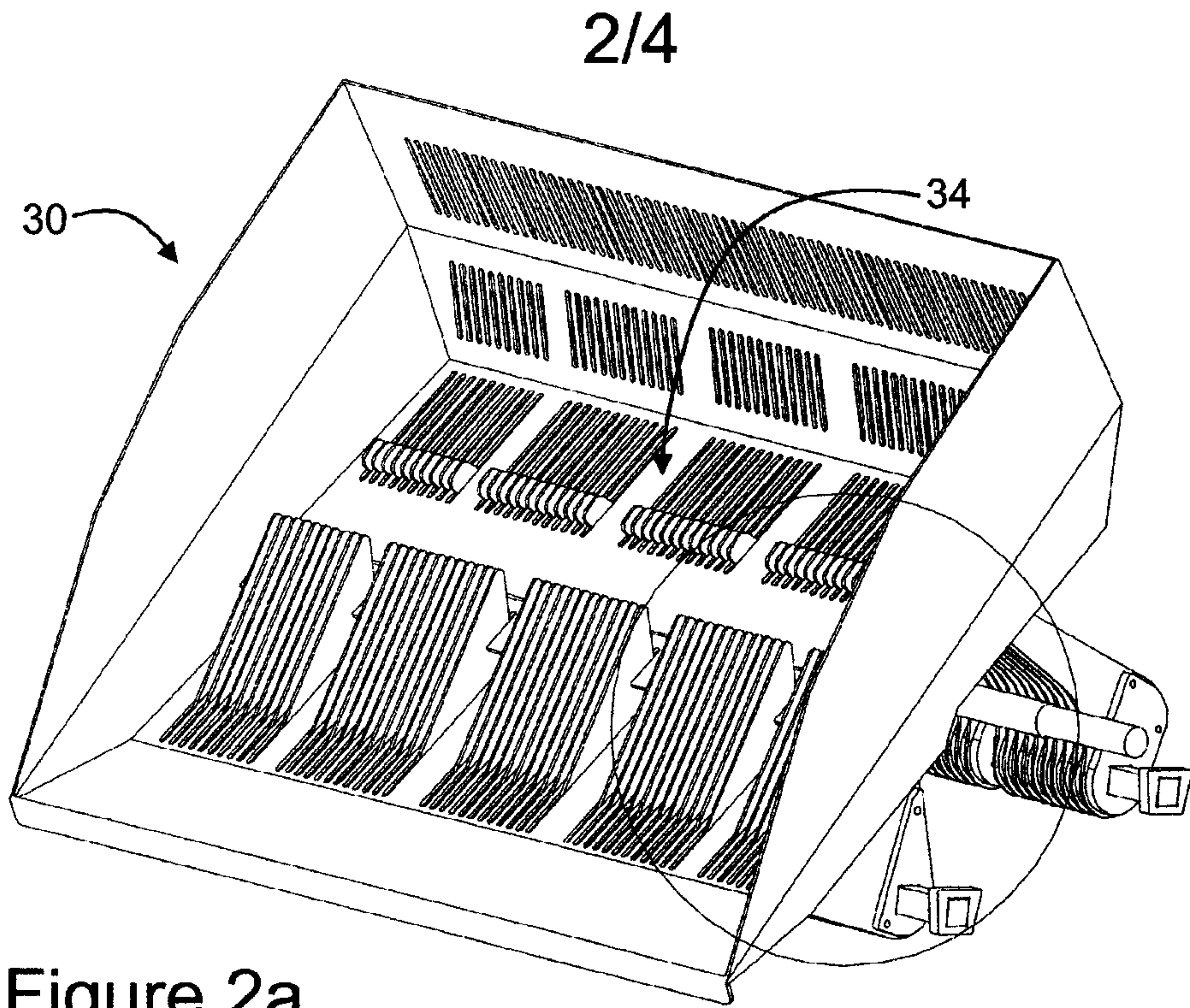


Figure 1



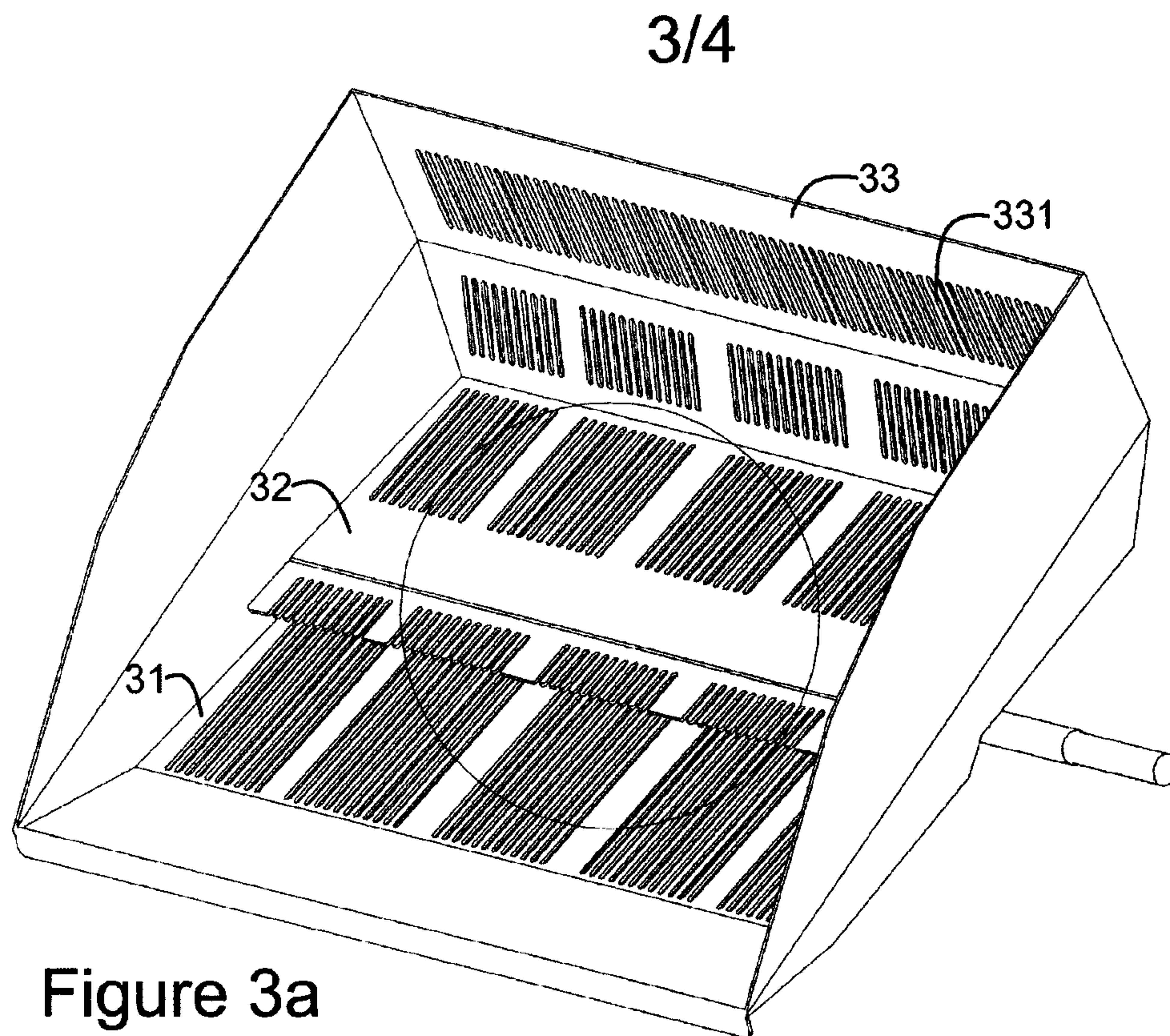


Figure 3a

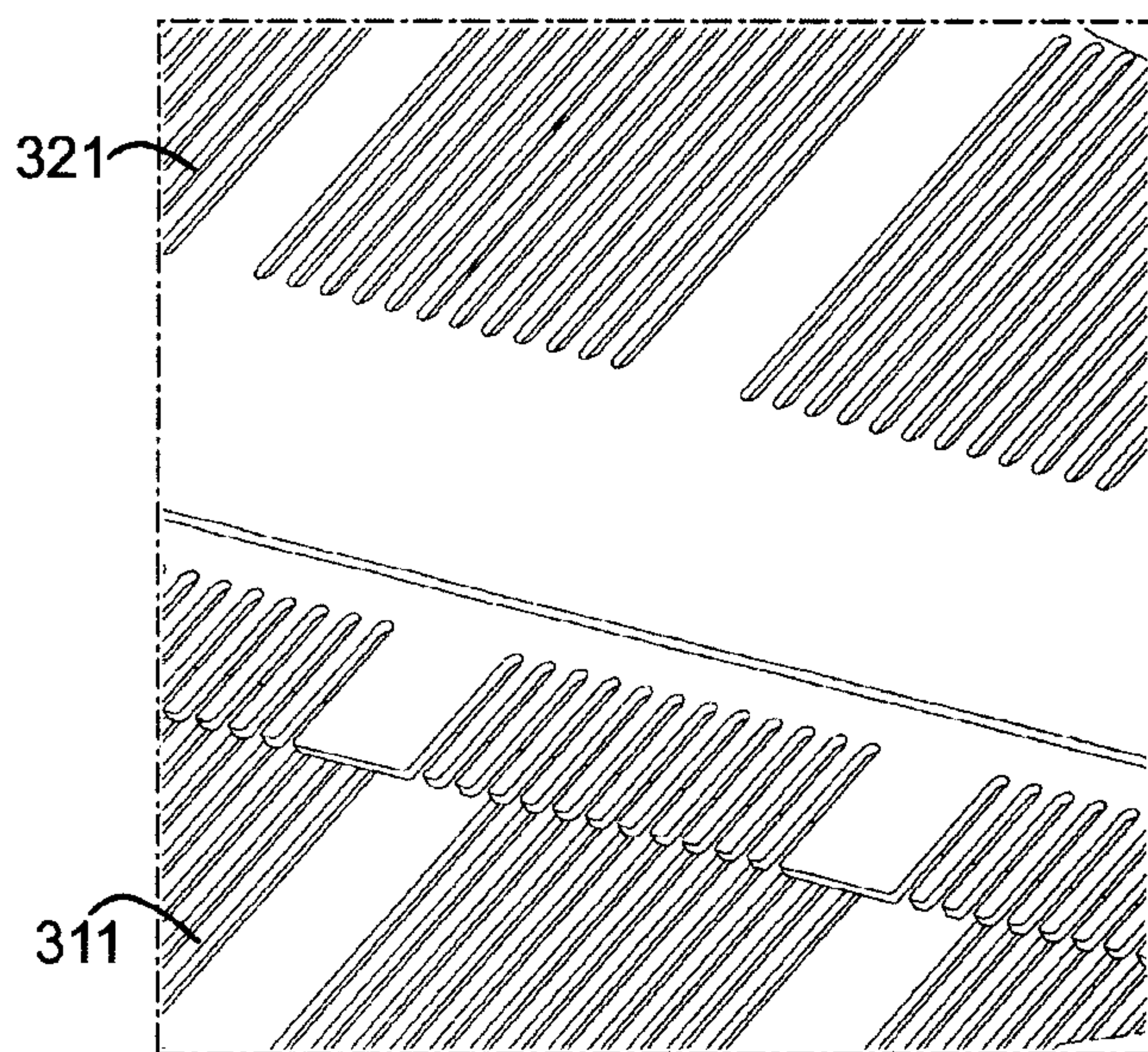
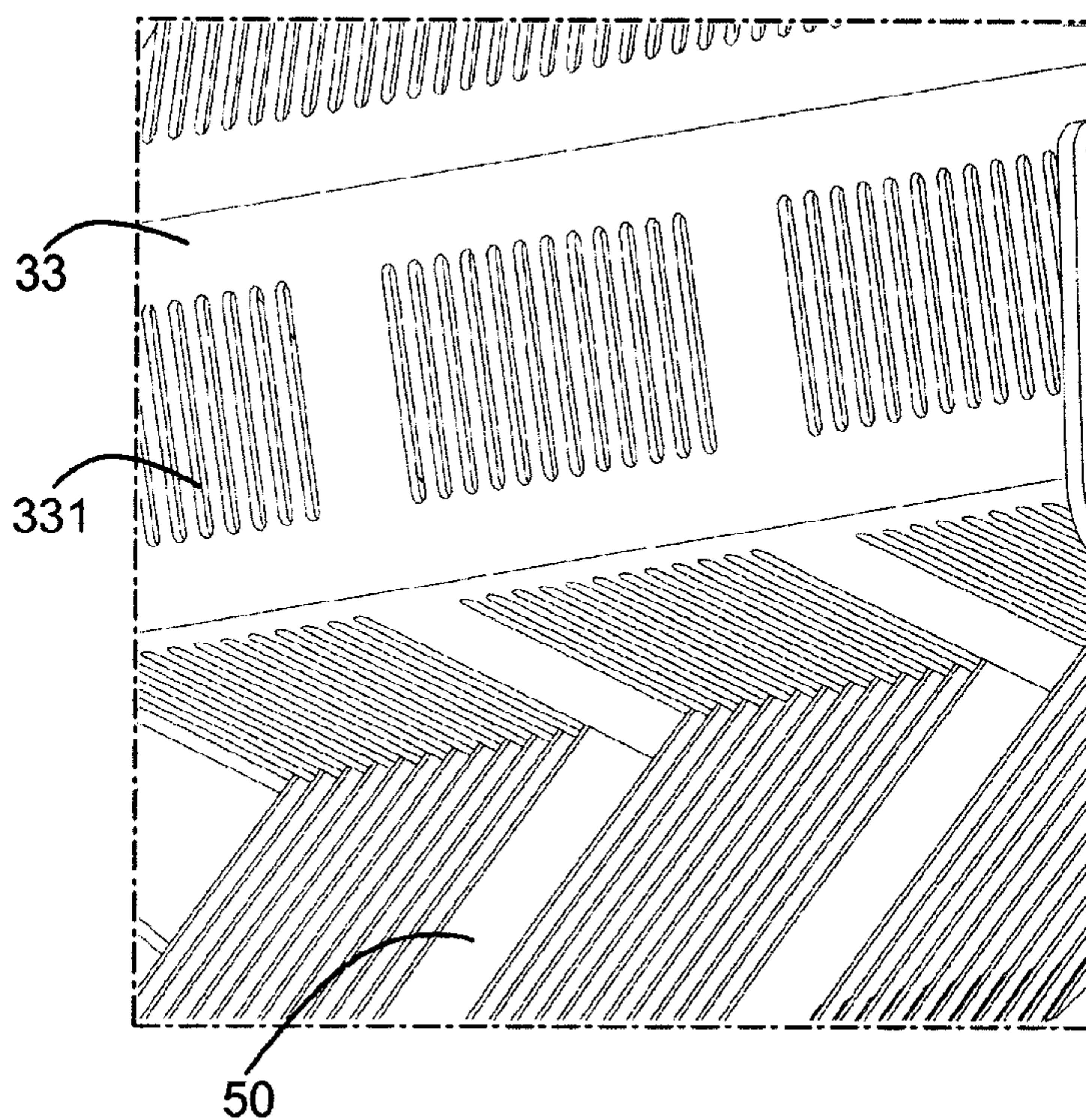
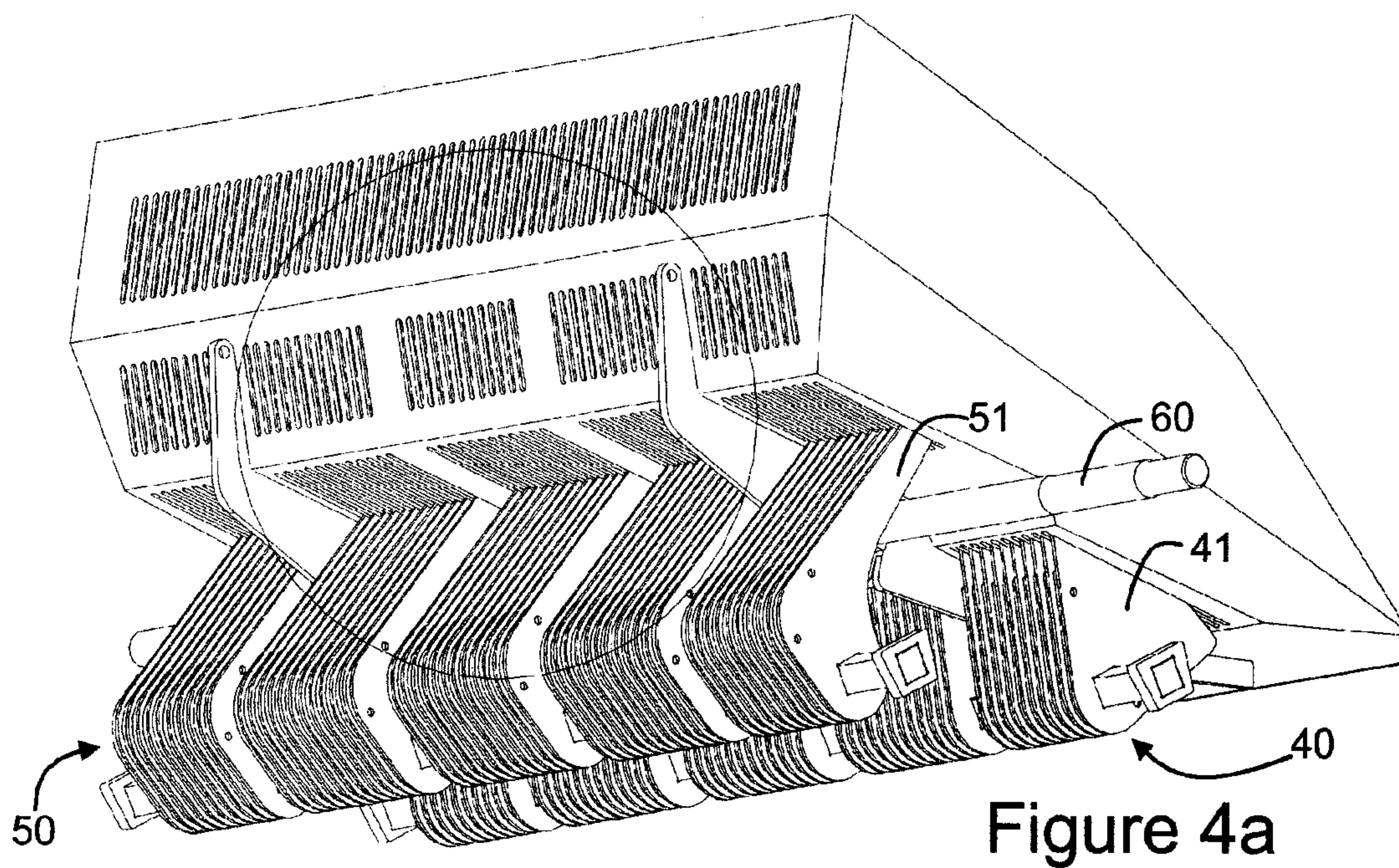


Figure 3b

4/4



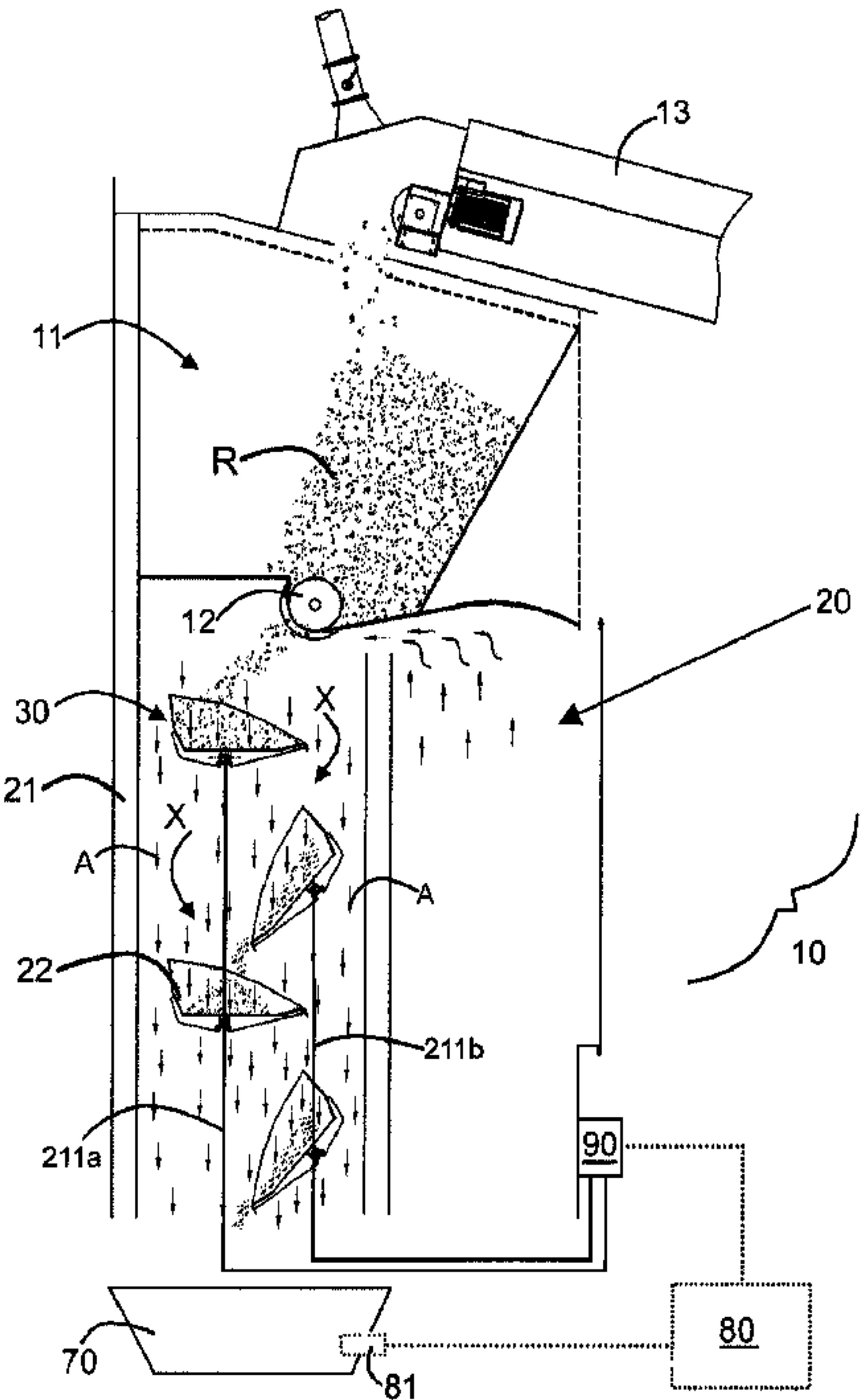


Figure 1