

- [54] **PRESSURE TRANSMITTER HOUSING**
- [75] **Inventors:** David A. Broden, Chanhassen; David W. Lee, Lakeville; Timothy A. Miller; Debra K. Zeller, both of Eagan, all of Minn.
- [73] **Assignee:** Rosemount Inc., Eden Prairie, Minn.
- [**] **Term:** 14 Years
- [21] **Appl. No.:** 184,695
- [22] **Filed:** Apr. 22, 1988
- [52] **U.S. Cl.** D10/46
- [58] **Field of Search** D10/46, 83, 85, 94; D14/155; D23/214, 229; 73/717, 718, 719, 720, 721, 722, 704, 756

[56] **References Cited**

U.S. PATENT DOCUMENTS

D. 228,088	8/1973	Horst	D52/6 R
D. 277,831	3/1985	Bergstrom et al.	D10/46
D. 287,827	1/1987	Broden	D10/46
D. 296,995	8/1988	Lee	D10/46
D. 297,314	8/1988	Hedtke	D10/46
D. 297,315	8/1988	Pierce et al.	D10/85
3,277,719	10/1966	Prell	73/407
3,564,923	2/1971	Nudd, Jr. et al.	73/398
4,135,407	1/1979	Ezekiel	73/717
4,165,651	8/1979	Olsen et al.	73/704
4,172,388	10/1979	Gabrielson	73/721
4,198,867	4/1980	Olsen	73/704
4,466,290	8/1984	Frick	73/756
4,745,810	5/1988	Pierce et al.	73/717

OTHER PUBLICATIONS

Brochure entitled "The Rosemount 1151 Pressure

Transmitter", publication date is (10/30/83) of Rosemount Inc.
 Publication, Foxboro advertisement, published Jul. of 1981.
 Brochure, Kent Deutschland GmbH, publication date unknown.
 Brochure, Kent Deltapi K, publication date unknown.
 Brochure, Honeywell Instrumentation News, publication date unknown.

Primary Examiner—Melvin B. Feifer
Assistant Examiner—Philip Hyder
Attorney, Agent, or Firm—Kinney & Lange

[57] **CLAIM**

The ornamental design for a pressure transmitter housing, as shown and described.

DESCRIPTION

FIG. 1 is a front elevational view of a pressure transmitter housing embodying my new design; FIG. 2 is a right side elevational view thereof; FIG. 3 is a top plan view thereof; FIG. 4 is a rear elevational view thereof; FIG. 5 is a left side elevational view thereof; FIG. 6 is a bottom plan view thereof; FIG. 7 is a right side elevational view of a modified form of the transmitter with coplanar flange embodying our new design the left side being a mirror image; and FIG. 8 is a rear elevational view of FIG. 7.

The broken line showing in the drawings are for illustrative purposes only and form no part of the claimed design.

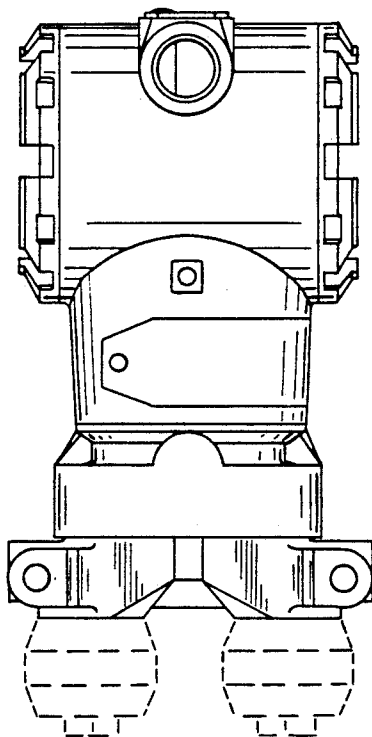


FIG. 1

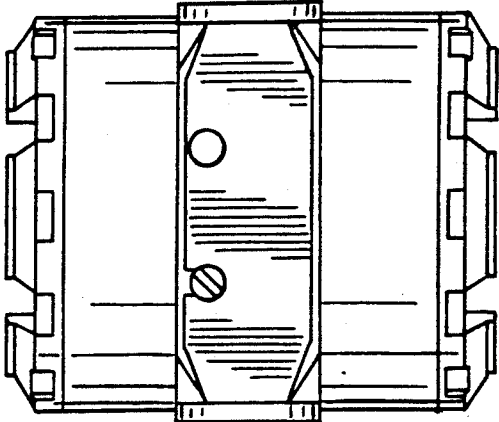


FIG. 2

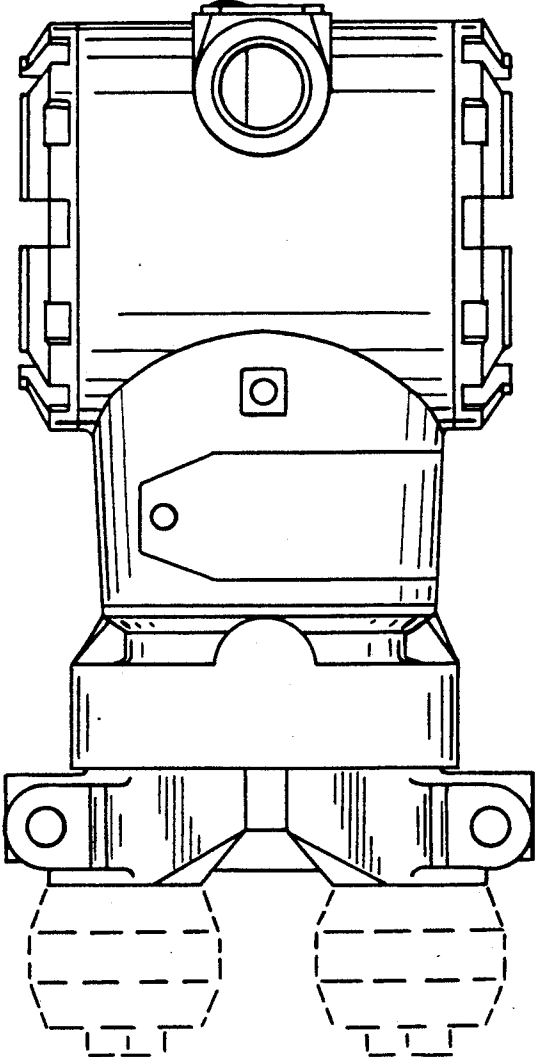
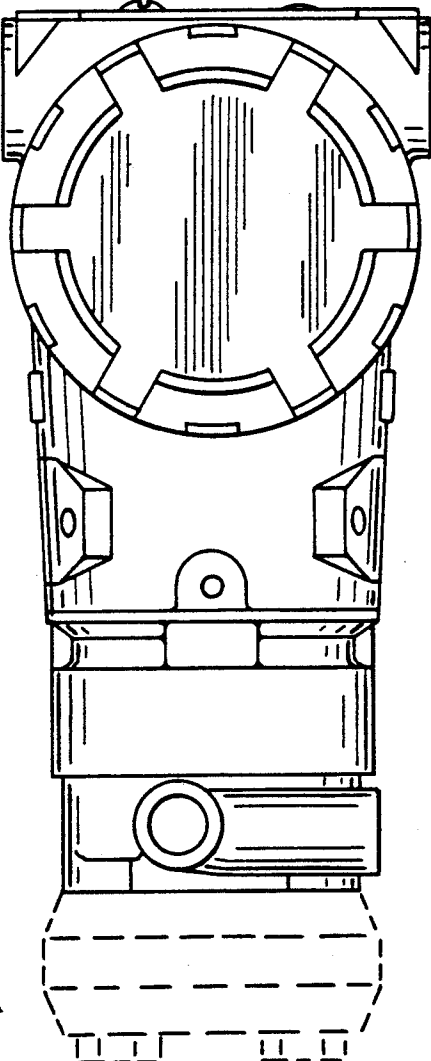


FIG. 2

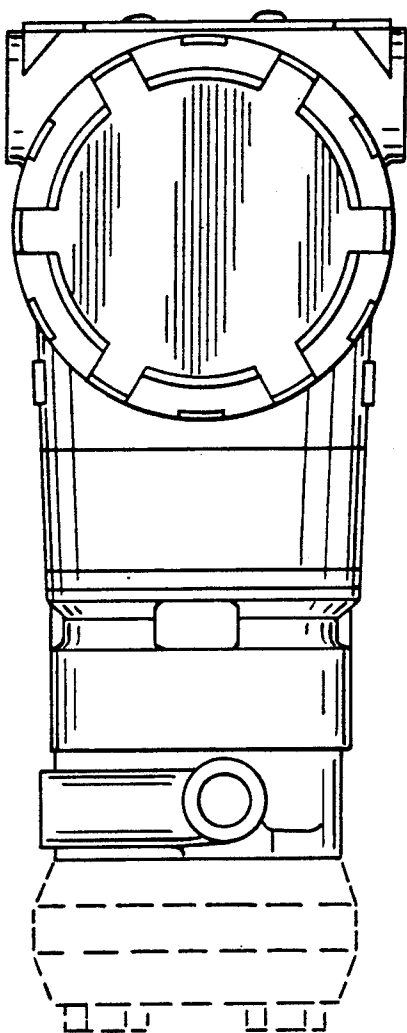


FIG. 4

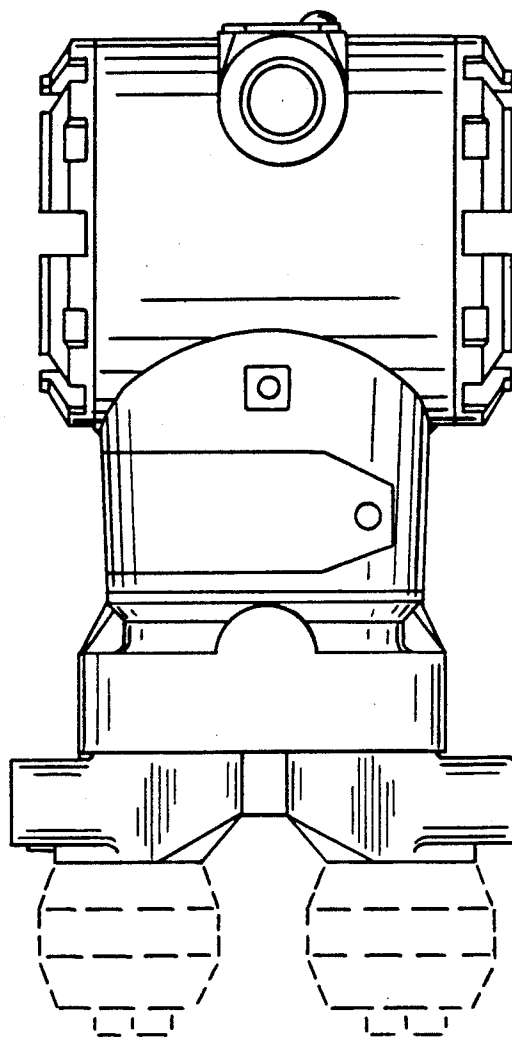


FIG. 5

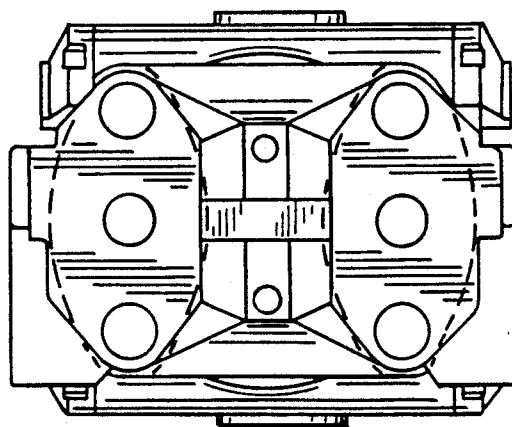


FIG. 6

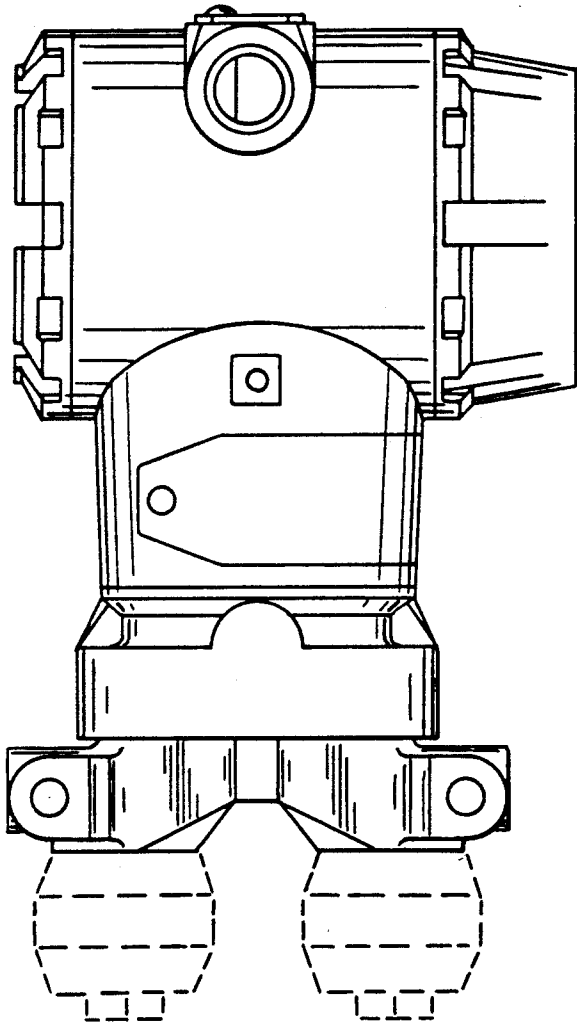


FIG. 7

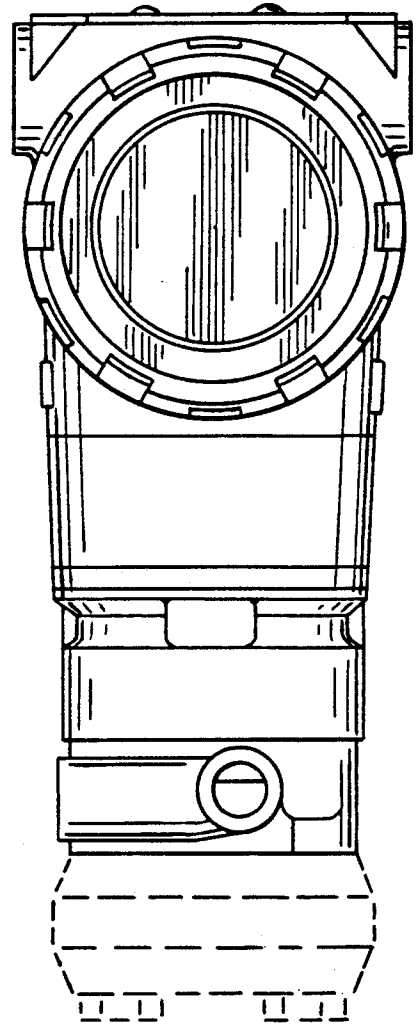


FIG. 8