



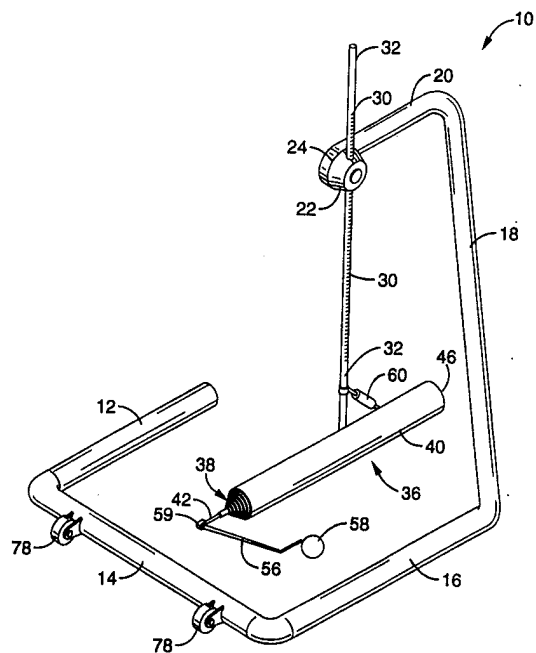
INTERNATIONAL APPLICATION PUBLISHED UNDER THE PATENT COOPERATION TREATY (PCT)

(51) International Patent Classification ⁶ : A63B 69/00	A3	(11) International Publication Number: WO 98/43706 (43) International Publication Date: 8 October 1998 (08.10.98)
(21) International Application Number: PCT/US98/06077 (22) International Filing Date: 27 March 1998 (27.03.98) (30) Priority Data: 08/831,042 1 April 1997 (01.04.97) US (71)(72) Applicant and Inventor: EZE, Obi, W. [US/US]; 25739 West Hammet Circle, Stevenson Ranch, CA 91381 (US). (74) Agent: KOHLMANN, Henry, G.; Suite 1000, 5 Park Plaza, Irvine, CA 92614 (US).	(81) Designated States: AU, CA, CN, JP, KR, MX, European patent (AT, BE, CH, DE, DK, ES, FI, FR, GB, GR, IE, IT, LU, MC, NL, PT, SE). Published <i>With international search report. Before the expiration of the time limit for amending the claims and to be republished in the event of the receipt of amendments.</i> (88) Date of publication of the international search report: 3 December 1998 (03.12.98)	

(54) Title: SPORTS PRACTICE APPARATUS

(57) Abstract

Apparatus for practicing a wide range of sports comprises a frame (10) with an upstanding support (18) standard. A rotatable hub mounted on a support arm (20), and a vertically depending suspension rod (32) depends from the hub (22). An extensible set of telescopically nested cylinders (38) mounted horizontally at the lower end of the suspension rod (32). An extensible rod (42) within the cylinders supports a target object (58). An electromechanical embodiment, a motor (44) engaged through gears (48) to the suspension rod (42) permits the nested cylinders. A motor (44), within the outermost nested cylinder engaged through gears (48), a pulley (54) and cable (52) to the central rod (42) permits the central rod to be rapidly retracted, along with all intermediate cylinders into the outermost cylinder (40). A clutch (80) permits the pulley to be disengaged from the motor so that the central rod and its cable may be pulled out freely. A performance monitoring includes motion and position sensors target object, a video monitor (74) mounted on a standard upstanding from the frame, and a control box connected to both the sensors and the video monitor.



FOR THE PURPOSES OF INFORMATION ONLY

Codes used to identify States party to the PCT on the front pages of pamphlets publishing international applications under the PCT.

AL	Albania	ES	Spain	LS	Lesotho	SI	Slovenia
AM	Armenia	FI	Finland	LT	Lithuania	SK	Slovakia
AT	Austria	FR	France	LU	Luxembourg	SN	Senegal
AU	Australia	GA	Gabon	LV	Latvia	SZ	Swaziland
AZ	Azerbaijan	GB	United Kingdom	MC	Monaco	TD	Chad
BA	Bosnia and Herzegovina	GE	Georgia	MD	Republic of Moldova	TG	Togo
BB	Barbados	GH	Ghana	MG	Madagascar	TJ	Tajikistan
BE	Belgium	GN	Guinea	MK	The former Yugoslav Republic of Macedonia	TM	Turkmenistan
BF	Burkina Faso	GR	Greece			TR	Turkey
BG	Bulgaria	HU	Hungary	ML	Mali	TT	Trinidad and Tobago
BJ	Benin	IE	Ireland	MN	Mongolia	UA	Ukraine
BR	Brazil	IL	Israel	MR	Mauritania	UG	Uganda
BY	Belarus	IS	Iceland	MW	Malawi	US	United States of America
CA	Canada	IT	Italy	MX	Mexico	UZ	Uzbekistan
CF	Central African Republic	JP	Japan	NE	Niger	VN	Viet Nam
CG	Congo	KE	Kenya	NL	Netherlands	YU	Yugoslavia
CH	Switzerland	KG	Kyrgyzstan	NO	Norway	ZW	Zimbabwe
CI	Côte d'Ivoire	KP	Democratic People's Republic of Korea	NZ	New Zealand		
CM	Cameroon		Republic of Korea	PL	Poland		
CN	China	KR	Republic of Korea	PT	Portugal		
CU	Cuba	KZ	Kazakstan	RO	Romania		
CZ	Czech Republic	LC	Saint Lucia	RU	Russian Federation		
DE	Germany	LI	Liechtenstein	SD	Sudan		
DK	Denmark	LK	Sri Lanka	SE	Sweden		
EE	Estonia	LR	Liberia	SG	Singapore		

INTERNATIONAL SEARCH REPORT

International application No.
PCT/US98/06077

A. CLASSIFICATION OF SUBJECT MATTER IPC(6) :A63B 69/00 US CL :473/422 According to International Patent Classification (IPC) or to both national classification and IPC		
B. FIELDS SEARCHED Minimum documentation searched (classification system followed by classification symbols) U.S. : 473/422, 423, 424, 429, 430 Documentation searched other than minimum documentation to the extent that such documents are included in the fields searched Electronic data base consulted during the international search (name of data base and, where practicable, search terms used) Image Search STN Express		
C. DOCUMENTS CONSIDERED TO BE RELEVANT		
Category*	Citation of document, with indication, where appropriate, of the relevant passages	Relevant to claim No.
X	US 3,897,060 A (JENNINGS) 29 JULY 1975 (SEE ENTIRE DOCUMENT)	1,17
X	US 3,578,324 A (ALVEY) 11 MAY 1971 (SEE ENTIRE DOCUMENT)	1, 2, 3
X	US 5,435,572 A (COVEL) 25 JULY 1995 (SEE ENTIRE DOCUMENT)	1,4
Y	US 4,767,121 A (TONNER) 30 AUGUST 1988 (SEE ENTIRE DOCUMENT)	18
A	US 4,641,834 A (HEGEDUS) 10 FEBRUARY 1987 (SEE ENTIRE DOCUMENT)	1-20
A	US 4,042,237 A (MORARU) 16 AUGUST 1977 (SEE ENTIRE DOCUMENT)	1-20
<input checked="" type="checkbox"/> Further documents are listed in the continuation of Box C. <input type="checkbox"/> See patent family annex.		
* Special categories of cited documents:	*T* later document published after the international filing date or priority date and not in conflict with the application but cited to understand the principle or theory underlying the invention	
A document defining the general state of the art which is not considered to be of particular relevance	*X* document of particular relevance; the claimed invention cannot be considered novel or cannot be considered to involve an inventive step when the document is taken alone	
E earlier document published on or after the international filing date	*Y* document of particular relevance; the claimed invention cannot be considered to involve an inventive step when the document is combined with one or more other such documents, such combination being obvious to a person skilled in the art	
L document which may throw doubts on priority claim(s) or which is cited to establish the publication date of another citation or other special reason (as specified)	*&* document member of the same patent family	
O document referring to an oral disclosure, use, exhibition or other means		
P document published prior to the international filing date but later than the priority date claimed		
Date of the actual completion of the international search 04 JUNE 1998	Date of mailing of the international search report 08 OCT 1998	
Name and mailing address of the ISA/US Commissioner of Patents and Trademarks Box PCT Washington, D.C. 20231 Facsimile No. (703) 305-3230	Authorized officer TED BROWN Telephone No. (703) 308-3133 <i>Sheila Veney</i> Paralegal Specialist Technology Center 3700	

INTERNATIONAL SEARCH REPORT

International application No.
PCT/US98/06077

C (Continuation). DOCUMENTS CONSIDERED TO BE RELEVANT

Category*	Citation of document, with indication, where appropriate, of the relevant passages	Relevant to claim No.
A	US 2,695,175 A (TRAPP) 23 NOVEMBER 1954 (SEE ENTIRE DOCUMENT)	1-20