

(19) World Intellectual Property Organization  
International Bureau



(43) International Publication Date  
3 February 2005 (03.02.2005)

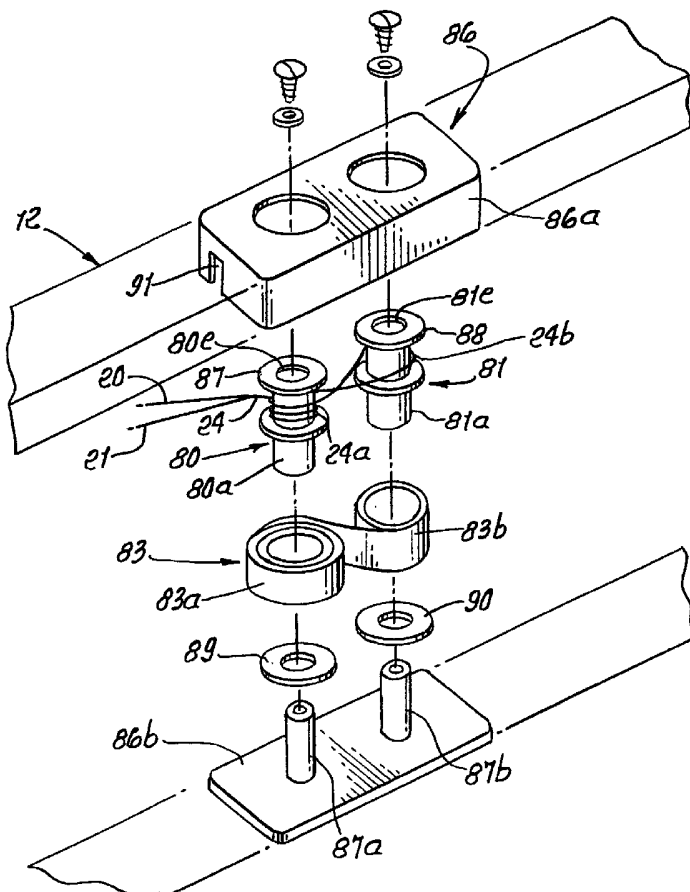
PCT

(10) International Publication Number  
WO 2005/010307 A3

- (51) International Patent Classification<sup>7</sup>: A47H 5/00
- (21) International Application Number: PCT/US2004/023450
- (22) International Filing Date: 21 July 2004 (21.07.2004)
- (25) Filing Language: English
- (26) Publication Language: English
- (30) Priority Data: 10/623,776 21 July 2003 (21.07.2003) US
- (71) Applicant (for all designated States except US): ZIP-SHADE INDUSTRIAL (B.V.I.) CORP. [—/US]; 21307 Lasso Drive, Diamond Bar, CA 91765-3538 (US).
- (72) Inventors: CHENG, Li-Ming; 215 Jeou Ju 1st Road, Sun Ming Dist., Kaohsiung (TW). WU, Lawrence, S.; 19142 Hastings Street, Rowland Heights, CA 91748 (US).
- (74) Agent: ROTH, W., Norman; Roth & Goldman, 523 West Sixth Street, Suite 707, Los Angeles, CA 90014-1102 (US).
- (81) Designated States (unless otherwise indicated, for every kind of national protection available): AE, AG, AL, AM, AT, AU, AZ, BA, BB, BG, BR, BW, BY, BZ, CA, CH, CN, CO, CR, CU, CZ, DE, DK, DM, DZ, EC, EE, EG, ES, FI, GB, GD, GE, GH, GM, HR, HU, ID, IL, IN, IS, JP, KE, KG, KP, KR, KZ, LC, LK, LR, LS, LT, LU, LV, MA, MD, MG, MK, MN, MW, MX, MZ, NA, NI, NO, NZ, OM, PG, PH, PL, PT, RO, RU, SC, SD, SE, SG, SK, SL, SY, TJ, TM, TN, TR, TT, TZ, UA, UG, US, UZ, VC, VN, YU, ZA, ZM, ZW.
- (84) Designated States (unless otherwise indicated, for every kind of regional protection available): ARIPO (BW, GH, GM, KE, LS, MW, MZ, NA, SD, SL, SZ, TZ, UG, ZM, ZW), Eurasian (AM, AZ, BY, KG, KZ, MD, RU, TJ, TM), European (AT, BE, BG, CH, CY, CZ, DE, DK, EE, ES, FI, FR, GB, GR, HU, IE, IT, LU, MC, NL, PL, PT, RO, SE, SI,

[Continued on next page]

(54) Title: PULL DOWN, PUSH UP, SHADE ASSEMBLY



(57) Abstract: A pleated shade assembly (10) capable of height adjustment without use of pull cords, comprising an upper elongated support(11) ; a lower elongated member(13) that is manually adjustable up and down; primary lines (20,21) extending through shade pleats (16) to suspend the bottom elongated member (13); primary rotors (40) at the top elongated support(11) to entrain the primary lines(20,21); at least one secondary line (24) having operative connection to the primary lines(20,21); and apparatus acting on the secondary line or lines (24) for counterbalancing suspension force exerted on the primary lines (20,21) at different shade height adjusted levels including dual rotary members(80,81) exerting tensioning force on said secondary line or lines(24), and including a spring(83) coupled to the dual rotary members(80,81) exerting force tending to entrain the secondary line or lines(24) about the dual rotary members(80,81), for storage on at least one of the members.

WO 2005/010307 A3



SK, TR), OAPI (BF, BJ, CF, CG, CI, CM, GA, GN, GQ, GW, ML, MR, NE, SN, TD, TG).

BY, KG, KZ, MD, RU, TJ, TM), European patent (AT, BE, BG, CH, CY, CZ, DE, DK, EE, ES, FI, FR, GB, GR, HU, IE, IT, LU, MC, NL, PL, PT, RO, SE, SI, SK, TR), OAPI patent (BF, BJ, CF, CG, CI, CM, GA, GN, GQ, GW, ML, MR, NE, SN, TD, TG)

**Declaration under Rule 4.17:**

— as to applicant's entitlement to apply for and be granted a patent (Rule 4.17(ii)) for the following designations AE, AG, AL, AM, AT, AU, AZ, BA, BB, BG, BR, BW, BY, BZ, CA, CH, CN, CO, CR, CU, CZ, DE, DK, DM, DZ, EC, EE, EG, ES, FI, GB, GD, GE, GH, GM, HR, HU, ID, IL, IN, IS, JP, KE, KG, KP, KR, KZ, LC, LK, LR, LS, LT, LU, LV, MA, MD, MG, MK, MN, MW, MX, MZ, NA, NI, NO, NZ, OM, PG, PH, PL, PT, RO, RU, SC, SD, SE, SG, SK, SL, SY, TJ, TM, TN, TR, TT, TZ, UA, UG, UZ, VC, VN, YU, ZA, ZM, ZW, ARIPO patent (BW, GH, GM, KE, LS, MW, MZ, NA, SD, SL, SZ, TZ, UG, ZM, ZW), Eurasian patent (AM, AZ,

**Published:**

— with international search report

**(88) Date of publication of the international search report:**

15 September 2005

*For two-letter codes and other abbreviations, refer to the "Guidance Notes on Codes and Abbreviations" appearing at the beginning of each regular issue of the PCT Gazette.*

INTERNATIONAL SEARCH REPORT

International application No.

PCT/US04/23450

<p>A. CLASSIFICATION OF SUBJECT MATTER</p> <p>IPC(7) : A47H 5/00</p> <p>US CL : 160/170R</p> <p>According to International Patent Classification (IPC) or to both national classification and IPC</p>														
<p>B. FIELDS SEARCHED</p> <p>Minimum documentation searched (classification system followed by classification symbols)</p> <p>U.S. : 160/170R, 171R, 168.1R, 192, 172R, 84.02, 84.04, 84.06, 191, 193</p> <p>Documentation searched other than minimum documentation to the extent that such documents are included in the fields searched</p> <p>Electronic data base consulted during the international search (name of data base and, where practicable, search terms used)</p>														
<p>C. DOCUMENTS CONSIDERED TO BE RELEVANT</p> <table border="1"> <thead> <tr> <th>Category *</th> <th>Citation of document, with indication, where appropriate, of the relevant passages</th> <th>Relevant to claim No.</th> </tr> </thead> <tbody> <tr> <td>X</td> <td>US 6,283,192 A (TOTI) 04 September 2001 (04.09.2001), see the entire document</td> <td>1-6,8,11,13,14</td> </tr> <tr> <td>A</td> <td>US 2,748,852 A (AKERSTROM) 05 June 1956 (05.06.1956), see the entire document</td> <td>1-14</td> </tr> <tr> <td>A</td> <td>US 2,759,535 A (BERGLIND) 21 August 1956 (21.08.1956), see the entire document</td> <td>1-14</td> </tr> </tbody> </table>			Category *	Citation of document, with indication, where appropriate, of the relevant passages	Relevant to claim No.	X	US 6,283,192 A (TOTI) 04 September 2001 (04.09.2001), see the entire document	1-6,8,11,13,14	A	US 2,748,852 A (AKERSTROM) 05 June 1956 (05.06.1956), see the entire document	1-14	A	US 2,759,535 A (BERGLIND) 21 August 1956 (21.08.1956), see the entire document	1-14
Category *	Citation of document, with indication, where appropriate, of the relevant passages	Relevant to claim No.												
X	US 6,283,192 A (TOTI) 04 September 2001 (04.09.2001), see the entire document	1-6,8,11,13,14												
A	US 2,748,852 A (AKERSTROM) 05 June 1956 (05.06.1956), see the entire document	1-14												
A	US 2,759,535 A (BERGLIND) 21 August 1956 (21.08.1956), see the entire document	1-14												
<p><input type="checkbox"/> Further documents are listed in the continuation of Box C. <input type="checkbox"/> See patent family annex.</p>														
<p>* Special categories of cited documents:</p> <table border="0"> <tr> <td>"A" document defining the general state of the art which is not considered to be of particular relevance</td> <td>"T" later document published after the international filing date or priority date and not in conflict with the application but cited to understand the principle or theory underlying the invention</td> </tr> <tr> <td>"E" earlier application or patent published on or after the international filing date</td> <td>"X" document of particular relevance; the claimed invention cannot be considered novel or cannot be considered to involve an inventive step when the document is taken alone</td> </tr> <tr> <td>"L" document which may throw doubts on priority claim(s) or which is cited to establish the publication date of another citation or other special reason (as specified)</td> <td>"Y" document of particular relevance; the claimed invention cannot be considered to involve an inventive step when the document is combined with one or more other such documents, such combination being obvious to a person skilled in the art</td> </tr> <tr> <td>"O" document referring to an oral disclosure, use, exhibition or other means</td> <td>"&amp;" document member of the same patent family</td> </tr> <tr> <td>"P" document published prior to the international filing date but later than the priority date claimed</td> <td></td> </tr> </table>			"A" document defining the general state of the art which is not considered to be of particular relevance	"T" later document published after the international filing date or priority date and not in conflict with the application but cited to understand the principle or theory underlying the invention	"E" earlier application or patent published on or after the international filing date	"X" document of particular relevance; the claimed invention cannot be considered novel or cannot be considered to involve an inventive step when the document is taken alone	"L" document which may throw doubts on priority claim(s) or which is cited to establish the publication date of another citation or other special reason (as specified)	"Y" document of particular relevance; the claimed invention cannot be considered to involve an inventive step when the document is combined with one or more other such documents, such combination being obvious to a person skilled in the art	"O" document referring to an oral disclosure, use, exhibition or other means	"&" document member of the same patent family	"P" document published prior to the international filing date but later than the priority date claimed			
"A" document defining the general state of the art which is not considered to be of particular relevance	"T" later document published after the international filing date or priority date and not in conflict with the application but cited to understand the principle or theory underlying the invention													
"E" earlier application or patent published on or after the international filing date	"X" document of particular relevance; the claimed invention cannot be considered novel or cannot be considered to involve an inventive step when the document is taken alone													
"L" document which may throw doubts on priority claim(s) or which is cited to establish the publication date of another citation or other special reason (as specified)	"Y" document of particular relevance; the claimed invention cannot be considered to involve an inventive step when the document is combined with one or more other such documents, such combination being obvious to a person skilled in the art													
"O" document referring to an oral disclosure, use, exhibition or other means	"&" document member of the same patent family													
"P" document published prior to the international filing date but later than the priority date claimed														
<p>Date of the actual completion of the international search</p> <p>17 December 2004 (17.12.2004)</p>		<p>Date of mailing of the international search report</p> <p>17 MAY 2005</p>												
<p>Name and mailing address of the ISA/US</p> <p>Mail Stop PCT, Attn: ISA/US Commissioner for Patents P.O. Box 1450 Alexandria, Virginia 22313-1450</p> <p>Facsimile No. (703) 305-3230</p>		<p>Authorized officer</p> <p>David M Purol <i>[Signature]</i></p> <p>Telephone No. 703/308-2168</p>												