

(19) World Intellectual Property Organization
International Bureau



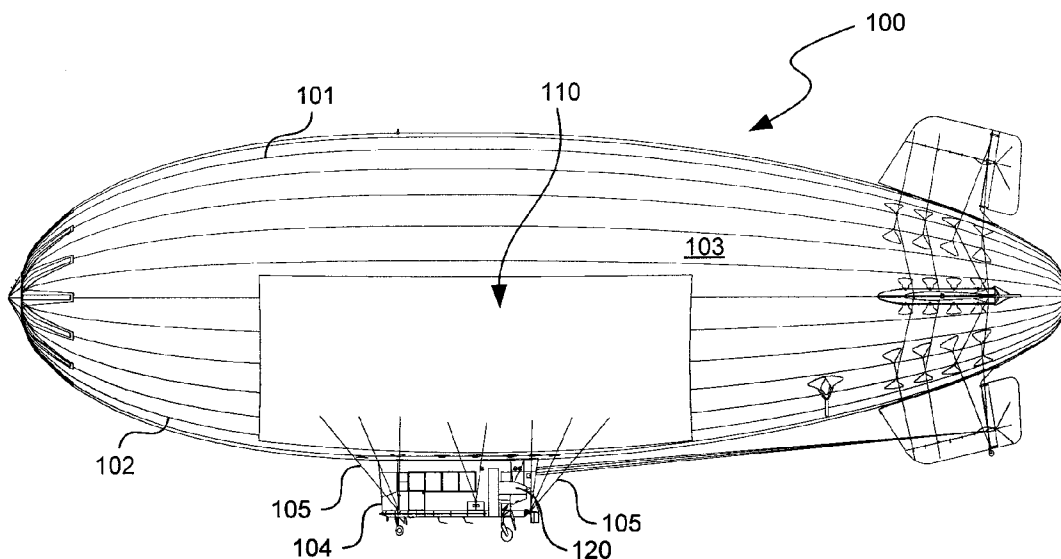
(43) International Publication Date
28 February 2008 (28.02.2008)

PCT

(10) International Publication Number
WO 2008/024786 A3

- (51) **International Patent Classification:**
G09G 5/00 (2006.01) G01C 5/00 (2006.01)
G08B 23/00 (2006.01)
 - (21) **International Application Number:**
PCT/US2007/076437
 - (22) **International Filing Date:** 21 August 2007 (21.08.2007)
 - (25) **Filing Language:** English
 - (26) **Publication Language:** English
 - (30) **Priority Data:**
60/840,172 25 August 2006 (25.08.2006) US
11/841,369 20 August 2007 (20.08.2007) US
 - (71) **Applicant (for all designated States except US):** AMERICAN BLIMP CORPORATION [US/US]; 1900 NE 25th Avenue, Suite 5, Hillsboro, OR 97124 (US).
 - (72) **Inventors; and**
 - (75) **Inventors/Applicants (for US only):** THIELE, James R. [US/US]; 5329 NE Farmerest, Hillsboro, OR 97124 (US). BARTEL, Rudolph H. [US/US]; 14320 NW Cornelius Pass Road, Portland, OR 97321 (US). NORBY, Lance L. [US/US]; 1230 Se Jacquelin, Hillsboro, OR 97123 (US).
 - (74) **Agents:** WECHKIN, John M. et al.; Perkins Coie LLP, P.O. Box 1247, Seattle, WA 98111-1247 (US).
 - (81) **Designated States (unless otherwise indicated, for every kind of national protection available):** AE, AG, AL, AM, AT, AU, AZ, BA, BB, BG, BH, BR, BW, BY, BZ, CA, CH, CN, CO, CR, CU, CZ, DE, DK, DM, DO, DZ, EC, EE, EG, ES, FI, GB, GD, GE, GH, GM, GT, HN, HR, HU, ID, IL, IN, IS, JP, KE, KG, KM, KN, KP, KR, KZ, LA, LC, LK, LR, LS, LT, LU, LY, MA, MD, ME, MG, MK, MN, MW, MX, MY, MZ, NA, NG, NI, NO, NZ, OM, PG, PH, PL, PT, RO, RS, RU, SC, SD, SE, SG, SK, SL, SM, SV, SY, TJ, TM, TN, TR, TT, TZ, UA, UG, US, UZ, VC, VN, ZA, ZM, ZW.
 - (84) **Designated States (unless otherwise indicated, for every kind of regional protection available):** ARIPO (BW, GH, GM, KE, LS, MW, MZ, NA, SD, SL, SZ, TZ, UG, ZM, ZW), Eurasian (AM, AZ, BY, KG, KZ, MD, RU, TJ, TM), European (AT, BE, BG, CH, CY, CZ, DE, DK, EE, ES, FI, FR, GB, GR, HU, IE, IS, IT, LT, LU, LV, MC, MT, NL, PL, PT, RO, SE, SI, SK, TR), OAPI (BF, BJ, CF, CG, CI, CM, GA, GN, GQ, GW, ML, MR, NE, SN, TD, TG).
- Published:**
— with international search report
- (88) **Date of publication of the international search report:**
7 August 2008

(54) **Title:** AIRBORNE EMITTER/RECEIVER ARRAYS, AND ASSOCIATED SYSTEMS AND METHODS



(57) **Abstract:** Airborne transmission/reception arrays and associated systems and methods are disclosed. An airborne image display device in accordance with one embodiment includes a plurality of electrically interconnected display units, with individual display units including at least one flexible support member mountable to an exterior surface of an airborne device. The display unit can further include a plurality of pixel carriers supported by the flexible support member, with each pixel carrier having multiple, spaced apart pixels. In other embodiments, the systems can include other transmission/reception arrays, for example, radar arrays or solar arrays, in lieu of the display device.

WO 2008/024786 A3

INTERNATIONAL SEARCH REPORT

International application No.

PCT/US07/76437

A. CLASSIFICATION OF SUBJECT MATTER
 IPC: **G09G 5/00(2006.01);G08B 23/00(2006.01);G01C 5/00(2006.01)**

 USPC: 345/1.1;701/9;340/963
 According to International Patent Classification (IPC) or to both national classification and IPC

B. FIELDS SEARCHED

Minimum documentation searched (classification system followed by classification symbols)
 U.S. : 345/1.1; 701/9; 340/963

Documentation searched other than minimum documentation to the extent that such documents are included in the fields searched

Electronic data base consulted during the international search (name of data base and, where practicable, search terms used)
 EAST database

C. DOCUMENTS CONSIDERED TO BE RELEVANT

Category *	Citation of document, with indication, where appropriate, of the relevant passages	Relevant to claim No.
X, P	US 2007/0044355 A1 (SHOFNER ET AL.) 01 March 2007 (01.03.2007), item [0022] through item [0040].	1-40
X, T	US 7,333,030 B2 (BARANOV ET AL.) 19 February 2008 (19.02.2008), column 11, line 62 through column 22, line 44.	1-40
X, T	US 7,309,048 B2 (VON THAL ET AL.) 18 December 2007 (18.12.2007); column 3, line 35 through column 10, line 63.	1-40
X, P	US 2007/0069941 A1 (PEARLMAN ET AL.) 29 March 2007 (29.03.2007), item [0018] through item [0030].	1-40

Further documents are listed in the continuation of Box C. See patent family annex.

Special categories of cited documents:		
"A" document defining the general state of the art which is not considered to be of particular relevance	"T"	later document published after the international filing date or priority date and not in conflict with the application but cited to understand the principle or theory underlying the invention
"E" earlier application or patent published on or after the international filing date	"X"	document of particular relevance; the claimed invention cannot be considered novel or cannot be considered to involve an inventive step when the document is taken alone
"L" document which may throw doubts on priority claim(s) or which is cited to establish the publication date of another citation or other special reason (as specified)	"Y"	document of particular relevance; the claimed invention cannot be considered to involve an inventive step when the document is combined with one or more other such documents, such combination being obvious to a person skilled in the art
"O" document referring to an oral disclosure, use, exhibition or other means	"&"	document member of the same patent family
"P" document published prior to the international filing date but later than the priority date claimed		

Date of the actual completion of the international search 07 May 2008 (07.05.2008)	Date of mailing of the international Search Report 21 MAY 2008
Name and mailing address of the ISA/US Mail Stop PCT, Attn: ISA/US Commissioner for Patents P.O. Box 1450 Alexandria, Virginia 22313-1450 Facsimile No. (571) 273-3201	Authorized officer KEVIN M. NGUYEN Telephone No. (571) 272-1000