



US00D735341S

(12) **United States Design Patent**
Chang

(10) **Patent No.:** **US D735,341 S**

(45) **Date of Patent:** **** Jul. 28, 2015**

(54) **DENTAL SCANNER**

(71) Applicant: **Medit Corporation**, Seoul (KR)

(72) Inventor: **Min-Ho Chang**, Seoul (KR)

(73) Assignee: **Medit Corporation**, Seoul (KR)

(**) Term: **14 Years**

(21) Appl. No.: **29/466,475**

(22) Filed: **Sep. 9, 2013**

(30) **Foreign Application Priority Data**

Mar. 7, 2013 (KR) 30-2013-0011714

(51) **LOC (10) Cl.** **24-02**

(52) **U.S. Cl.**
USPC **D24/176**

(58) **Field of Classification Search**
USPC D24/177, 185, 152, 158, 156, 6, 221,
D24/231, 232; 433/5, 29, 37, 49, 55, 68, 72,
433/75

See application file for complete search history.

(56) **References Cited**

U.S. PATENT DOCUMENTS

2,293,961 A * 8/1942 Zimmerman 237/1 R
D325,632 S * 4/1992 Kogane et al. D24/158
D658,294 S * 4/2012 Awad D24/158

OTHER PUBLICATIONS

Identica Blue. Copyright 2013. [Retrieved on Oct. 28, 2014].
Retrieved from the Internet: <URL: http://www.meditdental.com>.*

* cited by examiner

Primary Examiner — Wan Laymon

Assistant Examiner — Mark Booker

(74) *Attorney, Agent, or Firm* — Blank Rome LLP

(57) **CLAIM**

The ornamental design for a dental scanner, as shown and described.

DESCRIPTION

FIG. 1 is a perspective view of a dental scanner of the present design;

FIG. 2 is a front view of the dental scanner of FIG. 1;

FIG. 3 is a rear view of the dental scanner of FIG. 1;

FIG. 4 is a first side view of the dental scanner of FIG. 1;

FIG. 5 is a second side view of the dental scanner of FIG. 1;

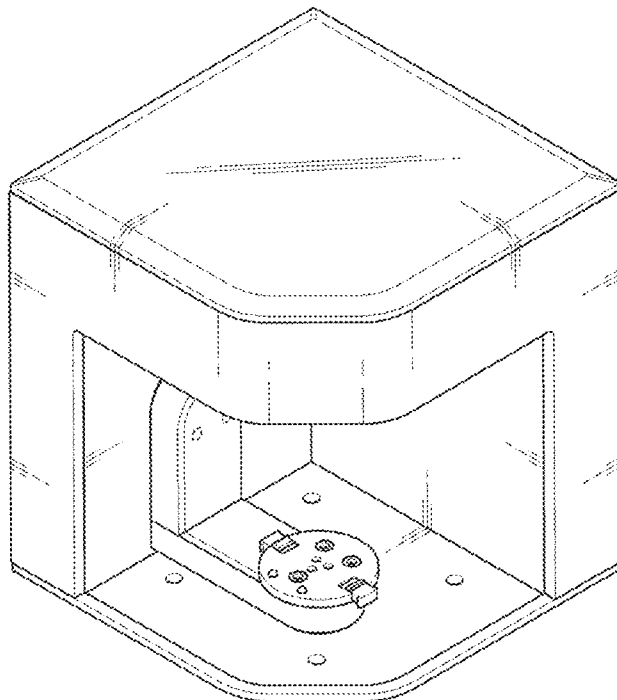
FIG. 6 is a top view of the dental scanner of FIG. 1; and,

FIG. 7 is a bottom view of the dental scanner of FIG. 1.

The shading in the figures show contour, not surface ornamentation, and form no part of the claimed design.

The broken lines shown in the figures are included for the purpose of illustrating portions of the dental scanner and form no part of the claimed design.

1 Claim, 7 Drawing Sheets



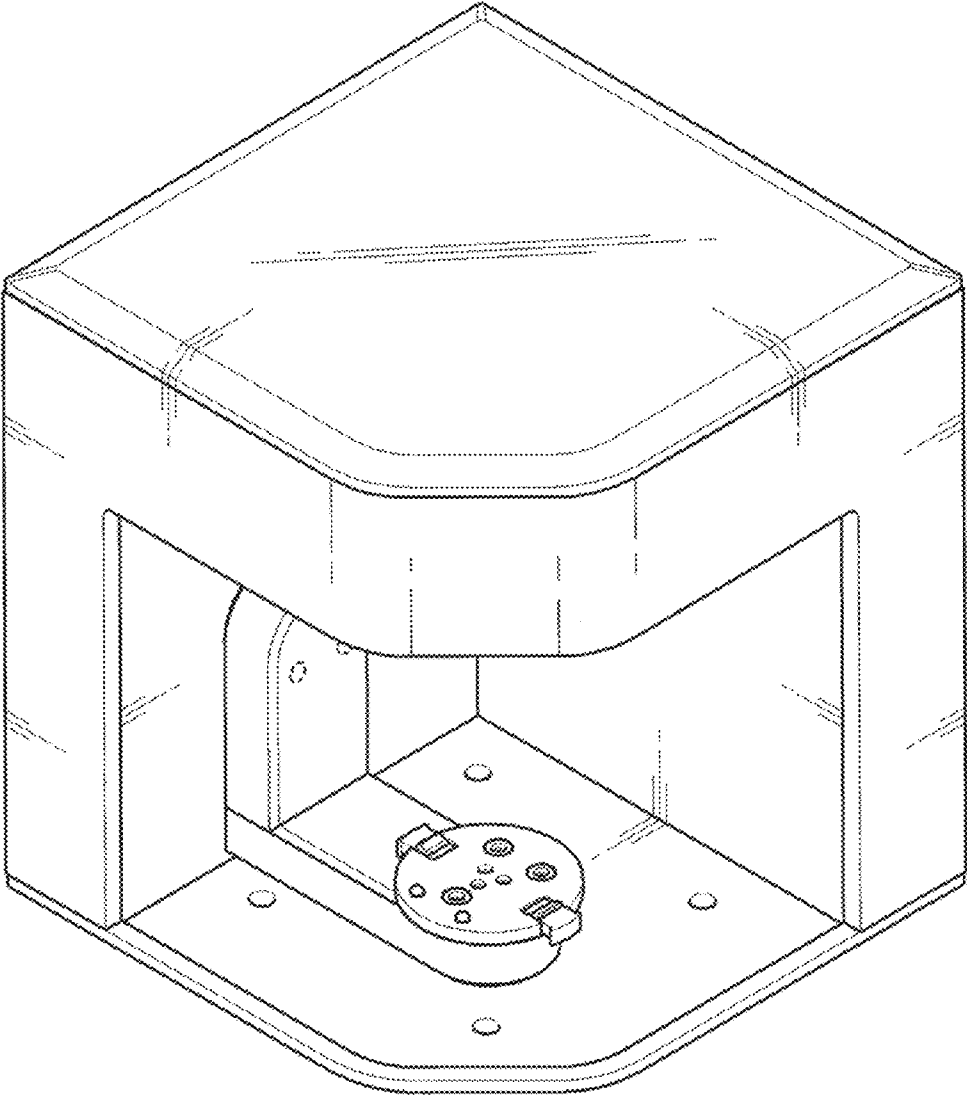


FIG. 1

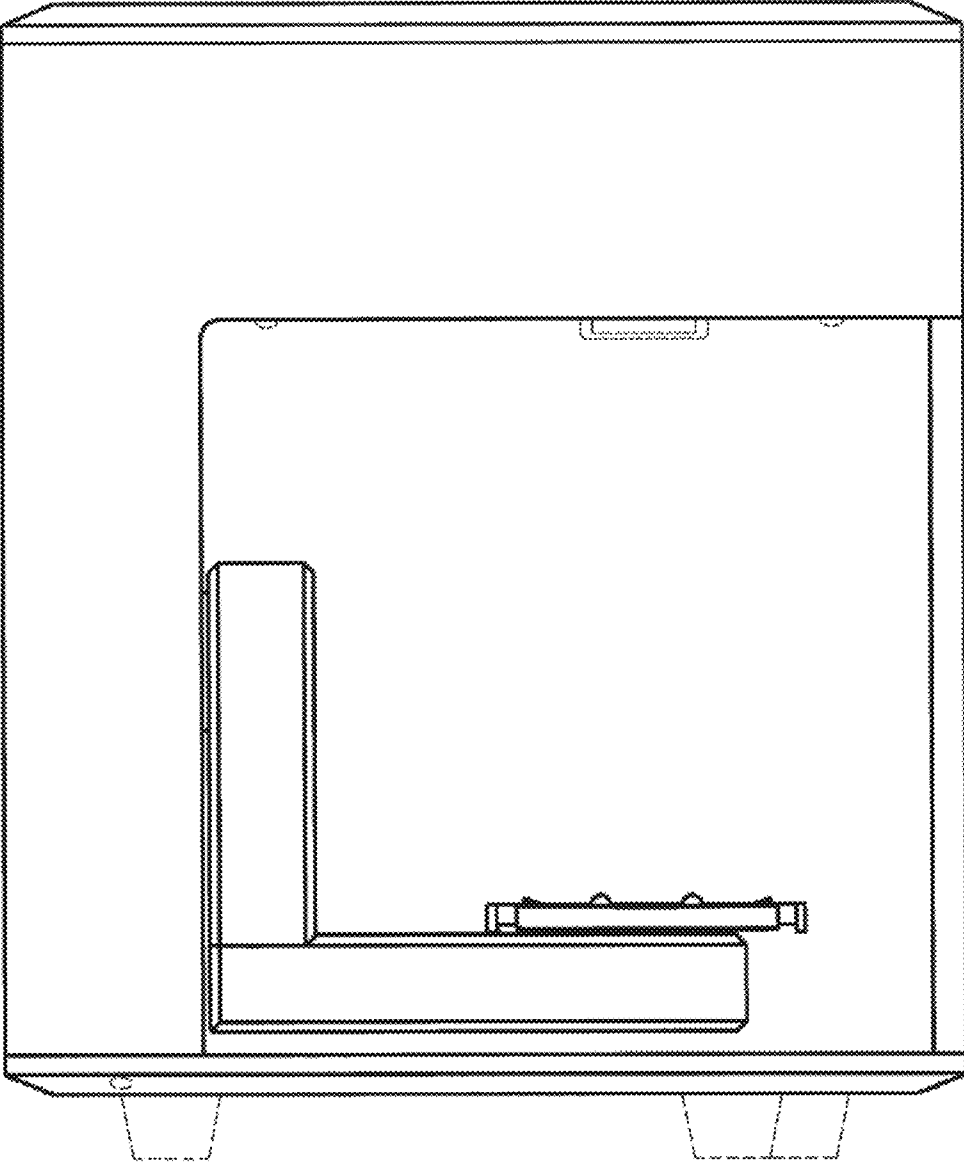


FIG. 2

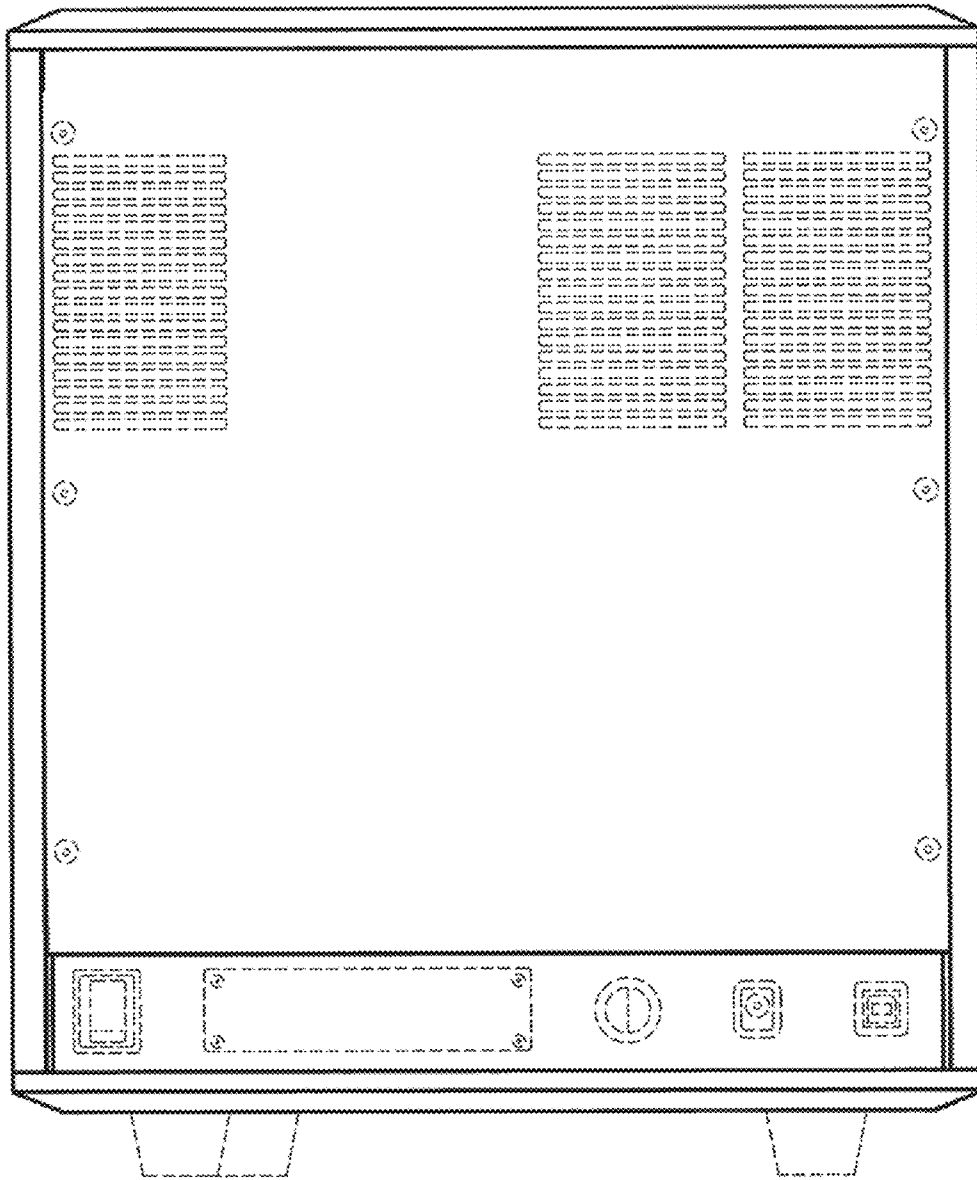


FIG. 3

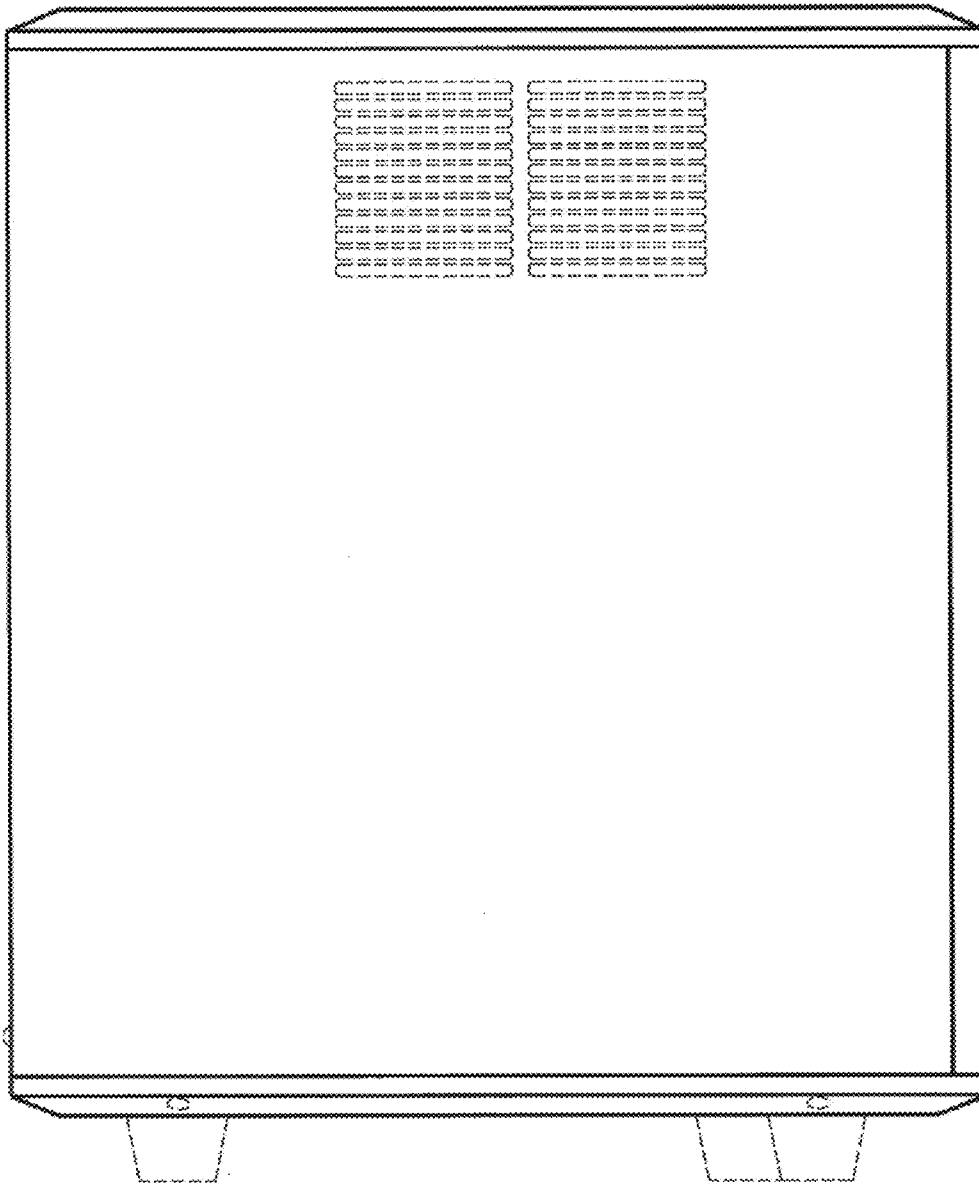


FIG. 4

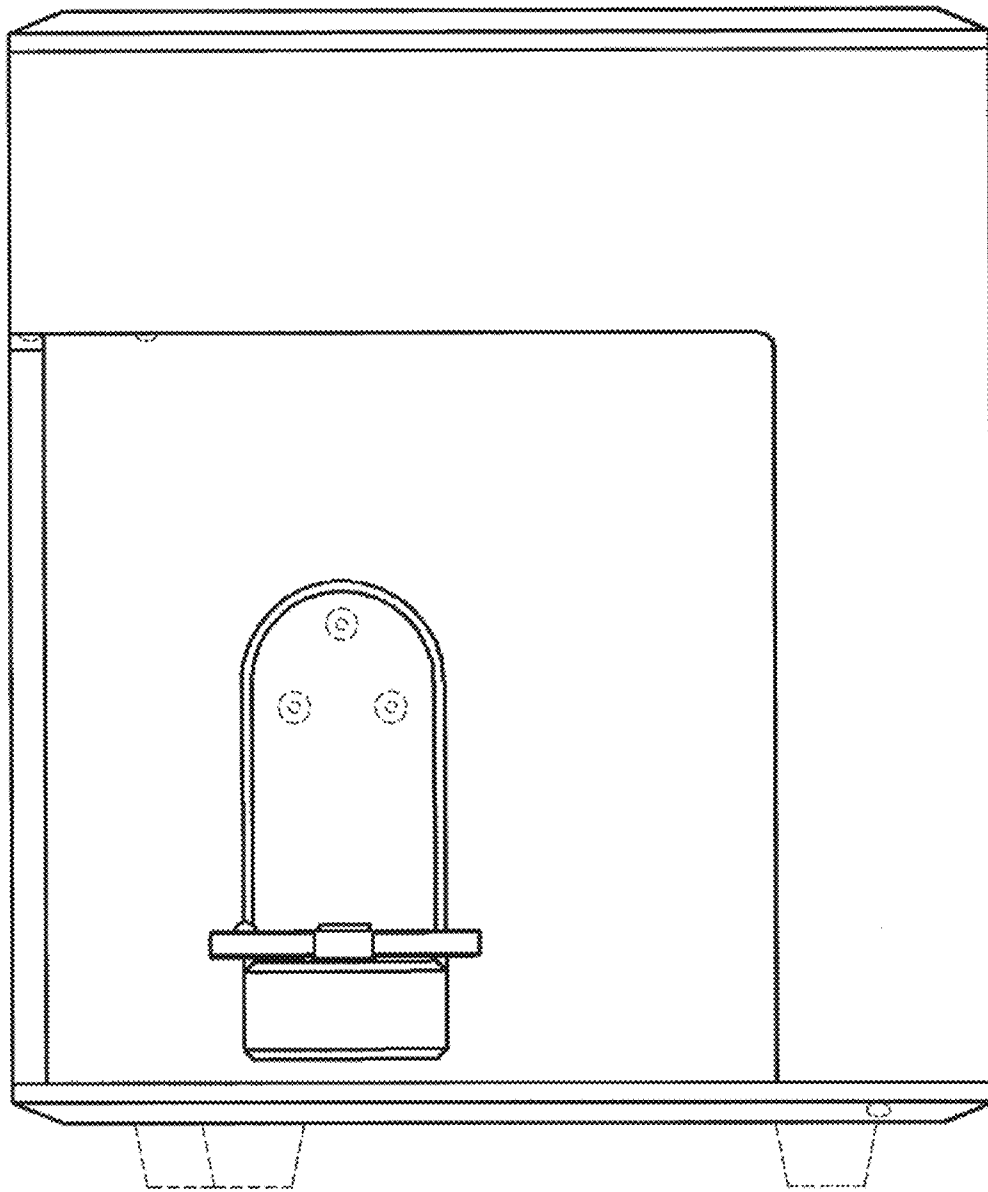


FIG. 5

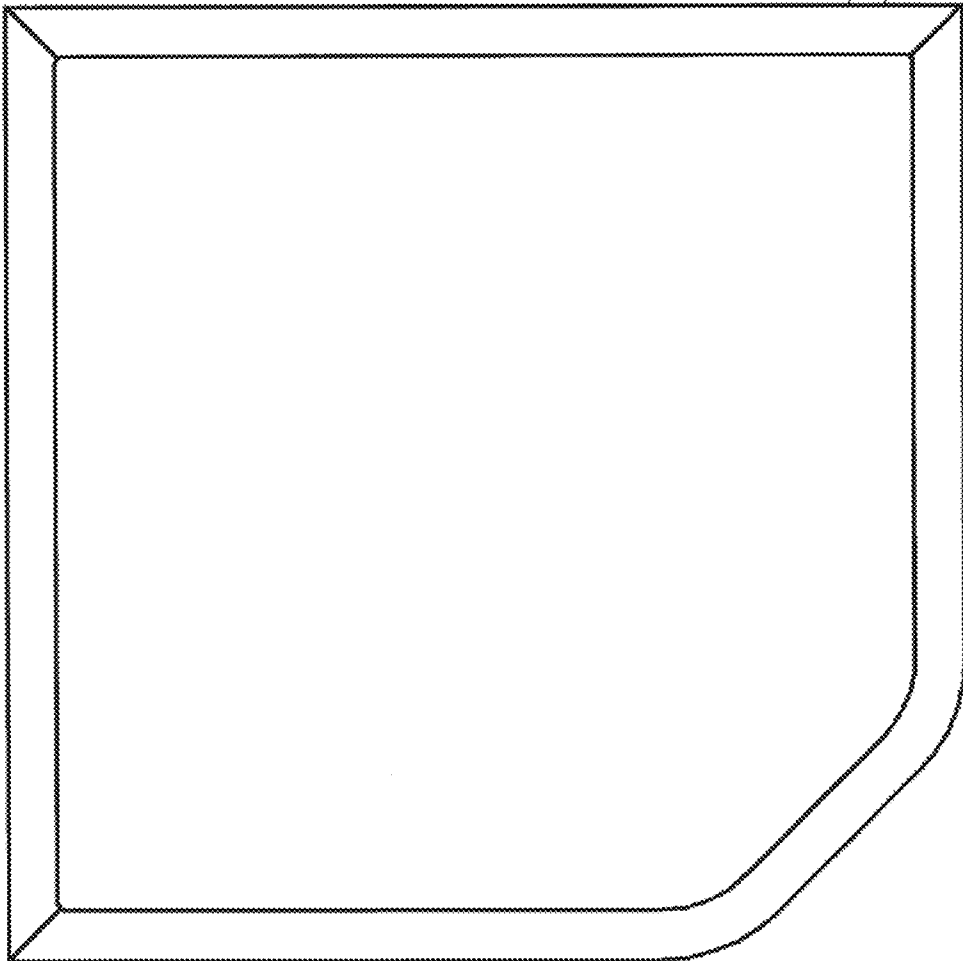


FIG. 6

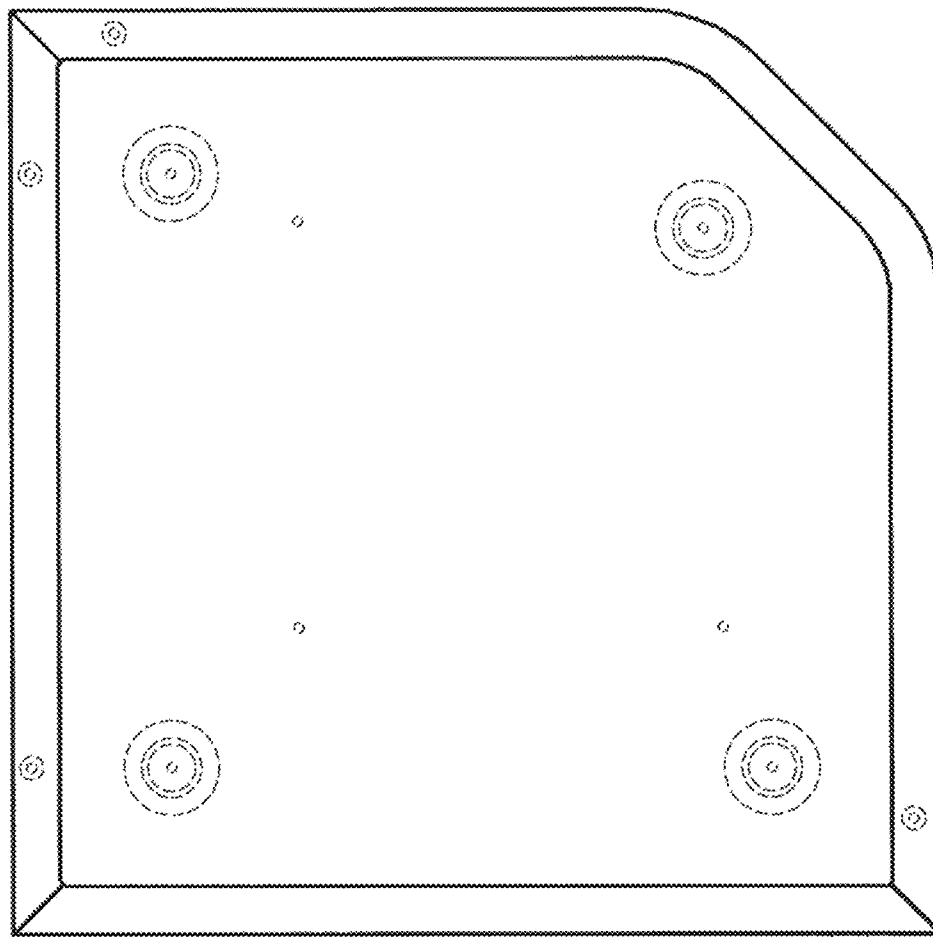


FIG. 7