

(19) World Intellectual Property Organization
International Bureau



(43) International Publication Date
13 March 2008 (13.03.2008)

PCT

(10) International Publication Number
WO 2008/029128 A3

(51) International Patent Classification:

G02B 5/124 (2006.01) B29C 41/28 (2006.01)
B42D 15/00 (2006.01) B29C 41/32 (2006.01)
B29D 11/00 (2006.01) B42D 101/00 (2006.01)
B44F 1/04 (2006.01)

Reading RG31 6RR (GB). EASTELL, Christopher, John [GB/GB]; 11 Rodway, Wanborough, Swindon SN4 0TN (GB). ISHERWOOD, Roland [GB/GB]; 1 Pauls Heath Cottage, Cole Henley, Whitechurch, Hampshire RG28 7QL (GB).

(21) International Application Number:

PCT/GB2007/003342

(74) Agent: GILL JENNINGS & EVERY LLP; Broadgate House, 7 Eldon Street, London EC2M 7LH (GB).

(22) International Filing Date:

5 September 2007 (05.09.2007)

(81) Designated States (unless otherwise indicated, for every kind of national protection available): AE, AG, AL, AM, AT, AU, AZ, BA, BB, BG, BH, BR, BW, BY, BZ, CA, CH, CN, CO, CR, CU, CZ, DE, DK, DM, DO, DZ, EC, EE, EG, ES, FI, GB, GD, GE, GH, GM, GT, HN, HR, HU, ID, IL, IN, IS, JP, KE, KG, KM, KN, KP, KR, KZ, LA, LC, LK, LR, LS, LT, LU, LY, MA, MD, ME, MG, MK, MN, MW, MX, MY, MZ, NA, NG, NI, NO, NZ, OM, PG, PH, PL, PT, RO, RS, RU, SC, SD, SE, SG, SK, SL, SM, SV, SY, TJ, TM, TN, TR, TT, TZ, UA, UG, US, UZ, VC, VN, ZA, ZM, ZW.

(25) Filing Language:

English

(26) Publication Language:

English

(30) Priority Data:

0617729.9 8 September 2006 (08.09.2006) GB

(84) Designated States (unless otherwise indicated, for every kind of regional protection available): ARIPO (BW, GH, GM, KE, LS, MW, MZ, NA, SD, SL, SZ, TZ, UG, ZM, ZW), Eurasian (AM, AZ, BY, KG, KZ, MD, RU, TJ, TM), European (AT, BE, BG, CH, CY, CZ, DE, DK, EE, ES, FI, FR, GB, GR, HU, IE, IS, IT, LT, LU, LV, MC, MT, NL, PL,

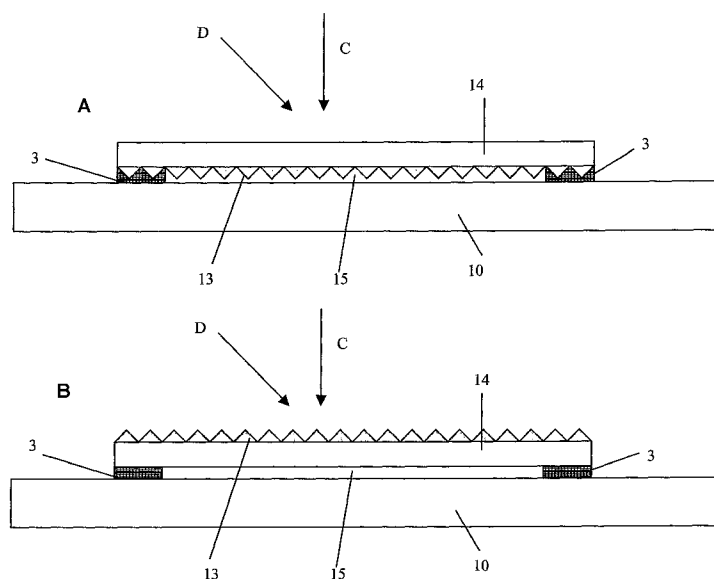
(71) Applicant (for all designated States except US): DE LA RUE INTERNATIONAL LIMITED [GB/GB]; De La Rue House, Jays Close, Viables, Basingstoke, Hampshire RG22 4BS (GB).

(72) Inventors; and

(75) Inventors/Applicants (for US only): COMMANDER, Lawrence, George [GB/GB]; 7 Edenhall Close, Tilehurst,

[Continued on next page]

(54) Title: SECURITY DEVICE BASED ON CUSTOMISED MICROPRISM DEVICE



(57) Abstract: A security device comprises a transparent substrate (1) provided with a prismatic surface structure (2) defining an array of substantially planar facets. An adhesive layer (3) extends around the perimeter of one surface of the substrate (1) such that the security device can be adhered to a further substrate, wherein at least some parts of the said surface are exposed to the air whereby those parts will be spaced from the further substrate in use to define a transparent substrate/air interface such that corresponding parts of the prismatic surface structure (2) forms a reflector due to total internal reflection when viewed at at least one first viewing angle and are transparent when viewed at at least one second viewing angle.

WO 2008/029128 A3



PT, RO, SE, SI, SK, TR), OAPI (BF, BJ, CF, CG, CI, CM,
GA, GN, GQ, GW, ML, MR, NE, SN, TD, TG).

— *before the expiration of the time limit for amending the
claims and to be republished in the event of receipt of
amendments*

Published:

— *with international search report*

(88) Date of publication of the international search report:

26 June 2008

INTERNATIONAL SEARCH REPORT

International application No PCT/GB2007/003342

A. CLASSIFICATION OF SUBJECT MATTER				
INV. G02B5/124	B42D15/00	B29D11/00		
ADD. B44F1/04	B29C41/28	B29C41/32 B42D101/00		
According to International Patent Classification (IPC) or to both national classification and IPC				
B. FIELDS SEARCHED				
Minimum documentation searched (classification system followed by classification symbols) B42D B29C B29D G02B				
Documentation searched other than minimum documentation to the extent that such documents are included in the fields searched				
Electronic data base consulted during the international search (name of data base and, where practical, search terms used) EPO-Internal, WPI Data, PAJ				
C. DOCUMENTS CONSIDERED TO BE RELEVANT				
Category*	Citation of document, with indication, where appropriate, of the relevant passages	Relevant to claim No.		
X	US 5 591 527 A (LU SHIH-LAI) 7 January 1997 (1997-01-07) cited in the application	1-5,9, 13,16, 17, 19-21, 26,28, 31, 49-52,58		
X	column 6, line 53 - column 7, line 47; figures 1,4 column 12, line 51 - column 13, line 29 column 16, line 31 - line 37 ----- -/--	11,12, 14,15, 18,30, 32-48		
<input checked="" type="checkbox"/> Further documents are listed in the continuation of Box C. <input checked="" type="checkbox"/> See patent family annex.				
* Special categories of cited documents : <table style="width: 100%; border: none;"> <tr> <td style="width: 50%; border: none; vertical-align: top;"> *A* document defining the general state of the art which is not considered to be of particular relevance *E* earlier document but published on or after the international filing date *L* document which may throw doubts on priority claim(s) or which is cited to establish the publication date of another citation or other special reason (as specified) *O* document referring to an oral disclosure, use, exhibition or other means *P* document published prior to the international filing date but later than the priority date claimed </td> <td style="width: 50%; border: none; vertical-align: top;"> *T* later document published after the international filing date or priority date and not in conflict with the application but cited to understand the principle or theory underlying the invention *X* document of particular relevance; the claimed invention cannot be considered novel or cannot be considered to involve an inventive step when the document is taken alone *Y* document of particular relevance; the claimed invention cannot be considered to involve an inventive step when the document is combined with one or more other such documents, such combination being obvious to a person skilled in the art. *&* document member of the same patent family </td> </tr> </table>			*A* document defining the general state of the art which is not considered to be of particular relevance *E* earlier document but published on or after the international filing date *L* document which may throw doubts on priority claim(s) or which is cited to establish the publication date of another citation or other special reason (as specified) *O* document referring to an oral disclosure, use, exhibition or other means *P* document published prior to the international filing date but later than the priority date claimed	*T* later document published after the international filing date or priority date and not in conflict with the application but cited to understand the principle or theory underlying the invention *X* document of particular relevance; the claimed invention cannot be considered novel or cannot be considered to involve an inventive step when the document is taken alone *Y* document of particular relevance; the claimed invention cannot be considered to involve an inventive step when the document is combined with one or more other such documents, such combination being obvious to a person skilled in the art. *&* document member of the same patent family
A document defining the general state of the art which is not considered to be of particular relevance *E* earlier document but published on or after the international filing date *L* document which may throw doubts on priority claim(s) or which is cited to establish the publication date of another citation or other special reason (as specified) *O* document referring to an oral disclosure, use, exhibition or other means *P* document published prior to the international filing date but later than the priority date claimed	*T* later document published after the international filing date or priority date and not in conflict with the application but cited to understand the principle or theory underlying the invention *X* document of particular relevance; the claimed invention cannot be considered novel or cannot be considered to involve an inventive step when the document is taken alone *Y* document of particular relevance; the claimed invention cannot be considered to involve an inventive step when the document is combined with one or more other such documents, such combination being obvious to a person skilled in the art. *&* document member of the same patent family			
Date of the actual completion of the international search	Date of mailing of the international search report			
9 April 2008	07/05/2008			
Name and mailing address of the ISA/ European Patent Office, P.B. 5818 Patentlaan 2 NL - 2280 HV Rijswijk Tel. (+31-70) 340-2040, Tx. 31 651 epo nl, Fax: (+31-70) 340-3016	Authorized officer Dindorf, Jochen			

INTERNATIONAL SEARCH REPORT

International application No
PCT/GB2007/003342

C(Continuation). DOCUMENTS CONSIDERED TO BE RELEVANT		
Category*	Citation of document, with indication, where appropriate, of the relevant passages	Relevant to claim No.
X	JP 2004 262144 A (DAINIPPON PRINTING CO LTD) 24 September 2004 (2004-09-24) cited in the application abstract; figure 1 paragraphs [0024], [0025]	1-5, 9, 10, 13, 16, 17, 19-21, 27-29, 31, 49-52
A	US 5 643 400 A (BERNARD GUS ET AL) 1 July 1997 (1997-07-01) column 4, line 21 - line 29; figures 1,5	22, 23, 55, 57
P,A	WO 2006/095161 A (DE LA RUE INT LTD) 14 September 2006 (2006-09-14) page 21, paragraph 2 page 35, paragraph 2; figures 11, 12, 14, 15, 18, 30	1-6, 22-25, 29, 55-57

INTERNATIONAL SEARCH REPORT

Information on patent family members

International application No

PCT/GB2007/003342

Patent document cited in search report	Publication date	Patent family member(s)	Publication date
US 5591527	A	07-01-1997	AU 689327 B2 26-03-1998
			AU 3637395 A 31-05-1996
			BR 9509569 A 16-09-1997
			CN 1162289 A 15-10-1997
			DE 69508607 D1 29-04-1999
			DE 69508607 T2 29-07-1999
			EP 0790896 A1 27-08-1997
			JP 10508549 T 25-08-1998
			WO 9614215 A1 17-05-1996
			US 5743981 A 28-04-1998
JP 2004262144	A	24-09-2004	NONE
US 5643400	A	01-07-1997	AU 5790796 A 29-11-1996
			CN 1184447 A 10-06-1998
			EP 0825923 A1 04-03-1998
			JP 11505484 T 21-05-1999
			WO 9636479 A1 21-11-1996
			US 5558740 A 24-09-1996
WO 2006095161	A	14-09-2006	AU 2006221856 A1 14-09-2006
			CA 2600431 A1 14-09-2006
			CN 101137514 A 05-03-2008
			EP 1888349 A2 20-02-2008