



US00D724669S

(12) **United States Design Patent**
Nakazawa et al.

(10) **Patent No.:** **US D724,669 S**

(45) **Date of Patent:** **** Mar. 17, 2015**

(54) **MECHANICAL PENCIL**

(71) Applicant: **Pentel Kabushiki Kaisha**, Tokyo (JP)

(72) Inventors: **Hidekazu Nakazawa**, Tokyo (JP); **Shoto Yokoyama**, Saitama (JP)

(73) Assignee: **Pentel Kabushiki Kaisha** (JP)

(**) Term: **14 Years**

(21) Appl. No.: **29/476,528**

(22) Filed: **Dec. 13, 2013**

(30) **Foreign Application Priority Data**

Jun. 18, 2013 (JP) 2013-013778

(51) **LOC (10) Cl.** **19-06**

(52) **U.S. Cl.**

USPC **D19/172**; D19/917; D19/927

(58) **Field of Classification Search**

CPC B43K 7/00; B43K 7/005; B43K 7/12;
B43K 8/00; B43K 8/003; B43K 8/02; B43K
8/022; B43K 8/024

USPC D14/411; D19/115-204, 904, 905, 906,
D19/913, 914, 916, 917, 918, 927; 24/11 F,
24/11 P, 11 R; 401/192, 195, 196

See application file for complete search history.

(56) **References Cited**

U.S. PATENT DOCUMENTS

D453,790 S * 2/2002 Tsuchikura D19/36
D458,964 S * 6/2002 Nakazawa D19/48

D463,821 S * 10/2002 Nishida D19/47
D472,577 S * 4/2003 Sakuno et al. D19/51
D506,504 S * 6/2005 Nakazawa et al. D19/49
D525,302 S * 7/2006 Togawa D19/51
D562,895 S * 2/2008 Shibata D19/50
D616,497 S * 5/2010 Shiina D19/48
D620,524 S * 7/2010 Shibata D19/47
D647,137 S * 10/2011 Uchiyama D19/47
D648,789 S * 11/2011 Shibata D19/48
D652,080 S * 1/2012 Shibata D19/48
D701,573 S * 3/2014 Ikeda D19/171
D710,447 S * 8/2014 Shibata D19/173

* cited by examiner

Primary Examiner — Elizabeth Albert

(74) *Attorney, Agent, or Firm* — Adams & Wilks

(57) **CLAIM**

The ornamental design for a mechanical pencil, as shown and described.

DESCRIPTION

FIG. 1 is a perspective view of front, top and left side of a mechanical pencil showing our new design;

FIG. 2 is a front view thereof;

FIG. 3 is a rear view thereof;

FIG. 4 is a top plan view thereof;

FIG. 5 is a bottom view thereof;

FIG. 6 is a left side view thereof;

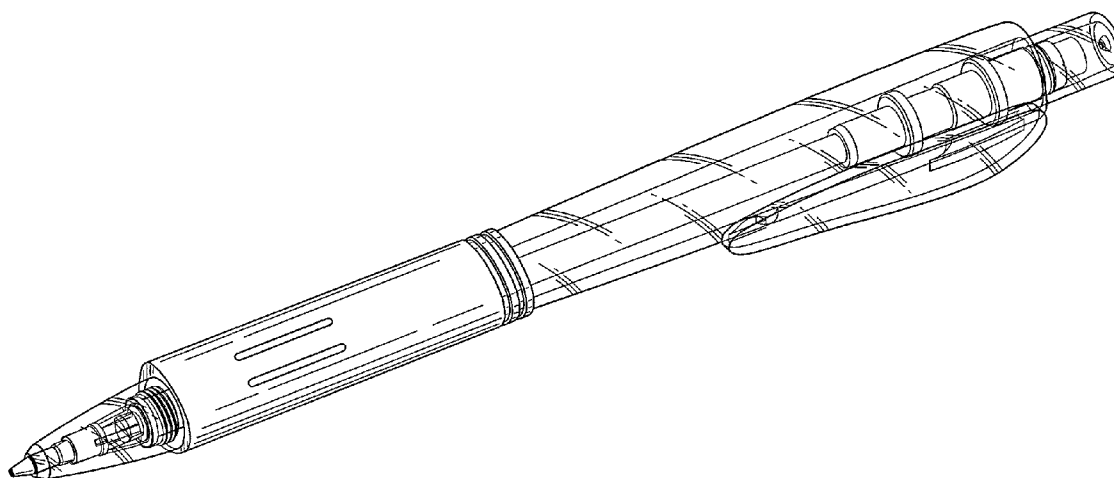
FIG. 7 is an enlarged left side view thereof;

FIG. 8 is a right side view thereof;

FIG. 9 is an enlarged right side view thereof; and,

FIG. 10 is a bottom view showing an usage status thereof.

1 Claim, 6 Drawing Sheets



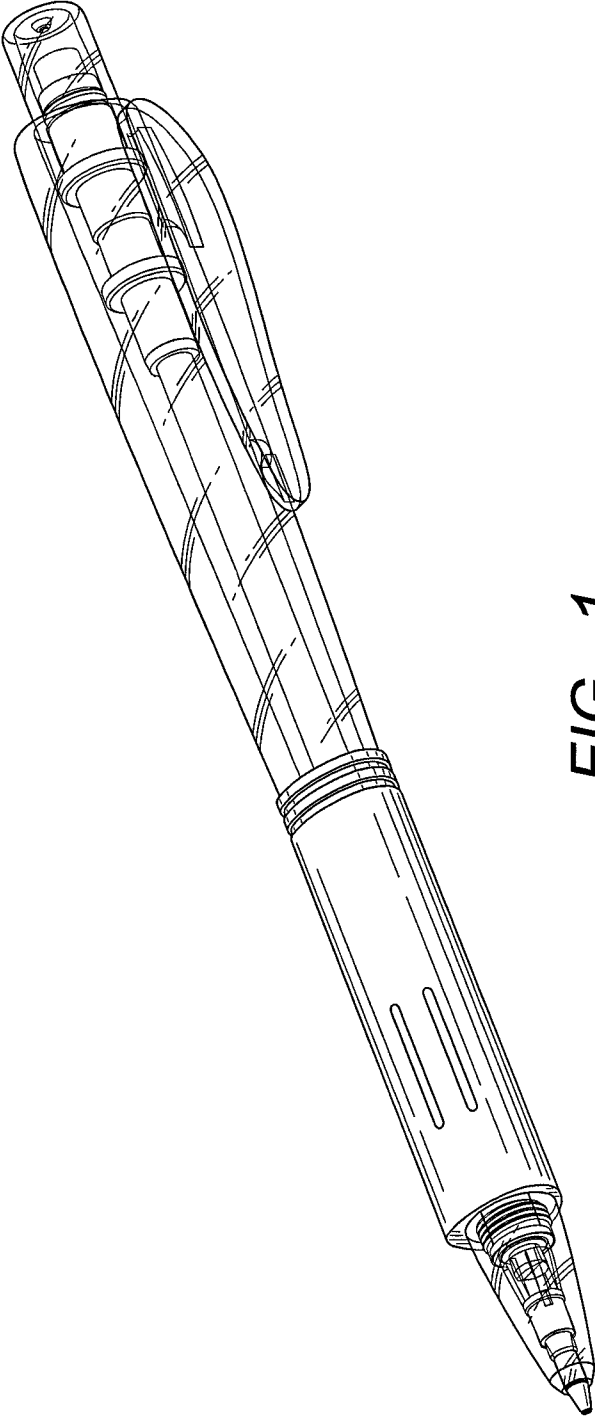


FIG. 1

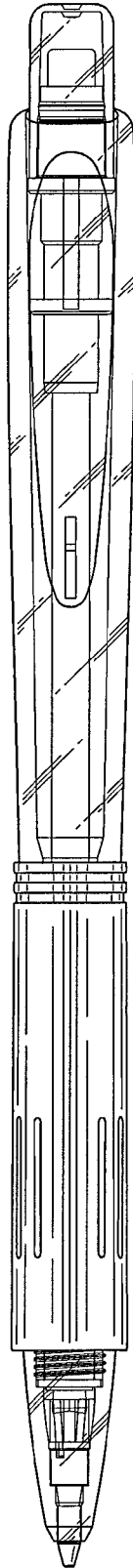


FIG. 2

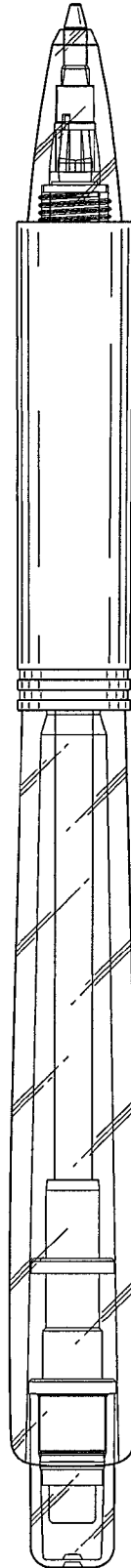


FIG. 3

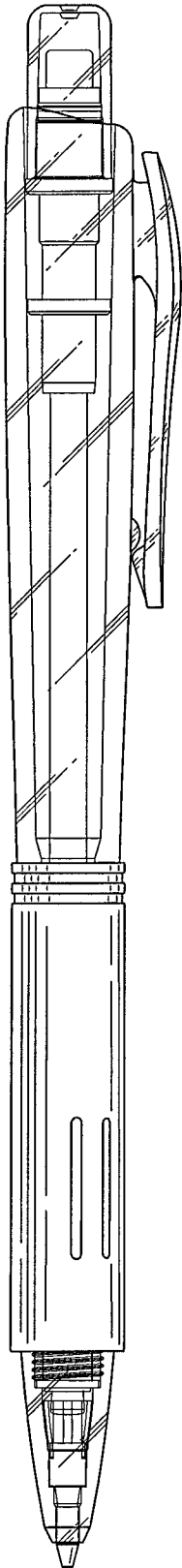


FIG. 4

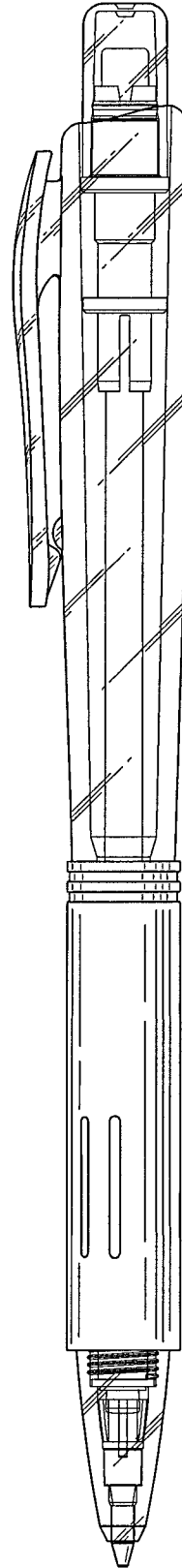


FIG. 5

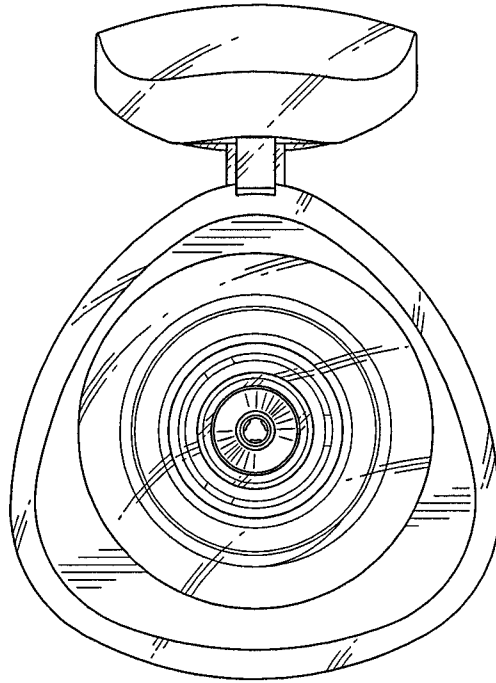


FIG. 7

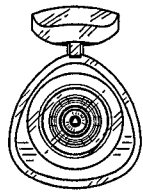


FIG. 6

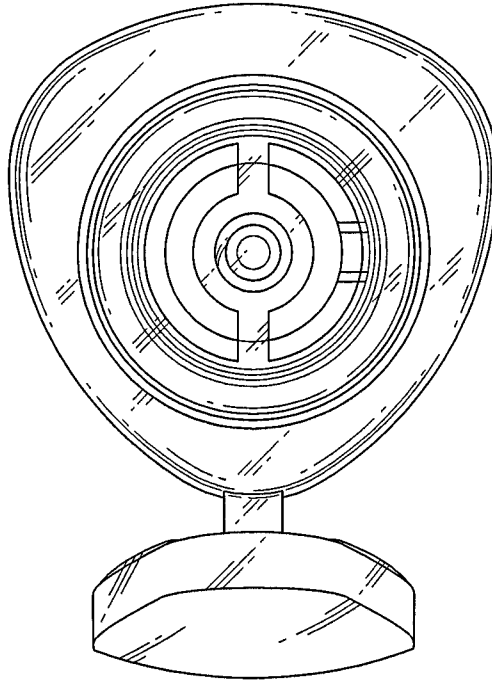


FIG. 9

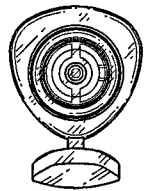


FIG. 8

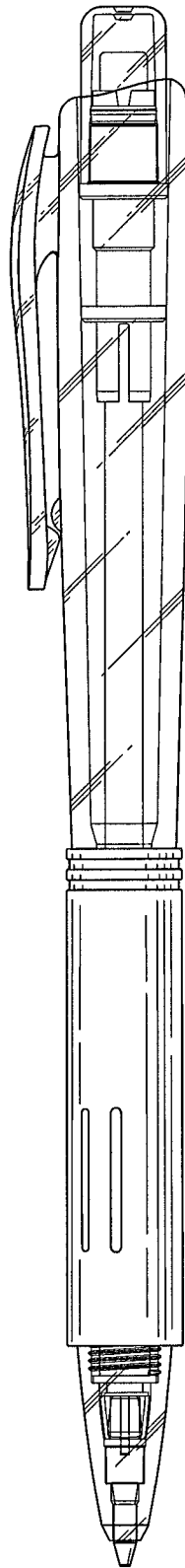


FIG. 10