



US00D341889S

United States Patent [19]

[11] Patent Number: **Des. 341,889**

Viken

[45] Date of Patent: **** Nov. 30, 1993**

[54] **RESPIRATOR HAVING LINE OF SIGHT ILLUMINATION**

4,676,236	6/1987	Piorkowski	128/200.28
4,709,696	12/1987	Angell	128/201.12
4,945,574	8/1990	Dagher	128/201.12 X

[76] Inventor: **Kelly A. Viken**, 519 Santa Cruz Dr., Fargo, N. Dak. 58103

Primary Examiner—Stella Reid
Attorney, Agent, or Firm—Terry M. Gernstein

[**] Term: **14 Years**

[57] **CLAIM**

[21] Appl. No.: **764,376**

The ornamental design for a respirator having line of sight illumination, as shown and described.

[22] Filed: **Sep. 23, 1991**

[52] U.S. Cl. **D24/164**

[58] Field of Search **D24/164; 128/201.28, 128/201.12, 201.13, 201.14, 201.15**

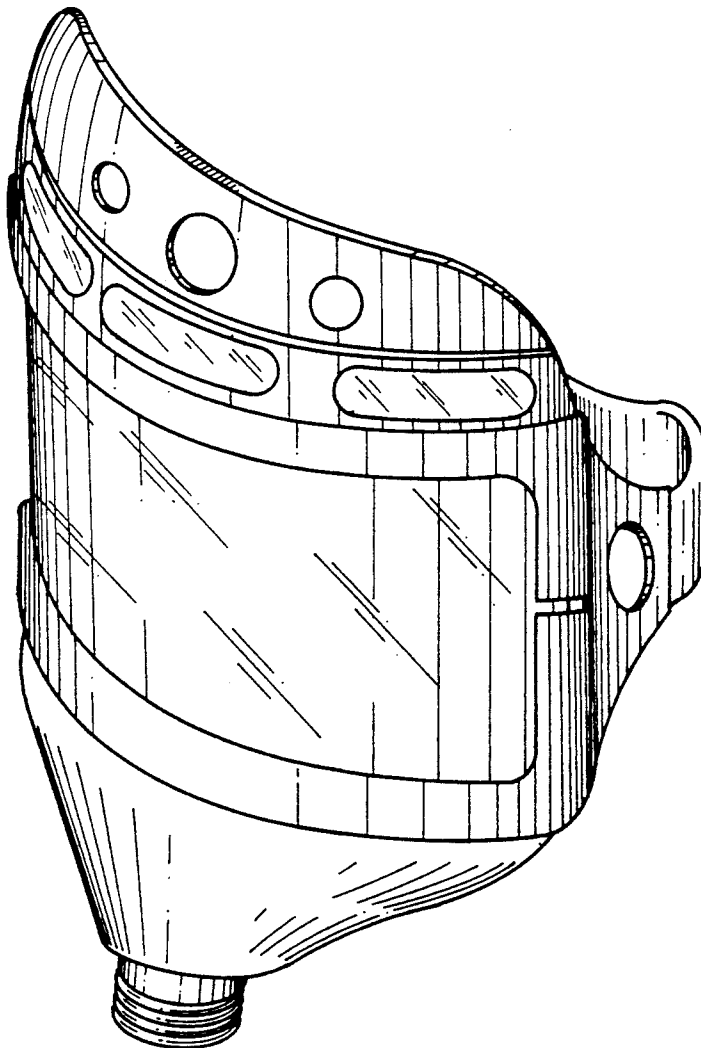
DESCRIPTION

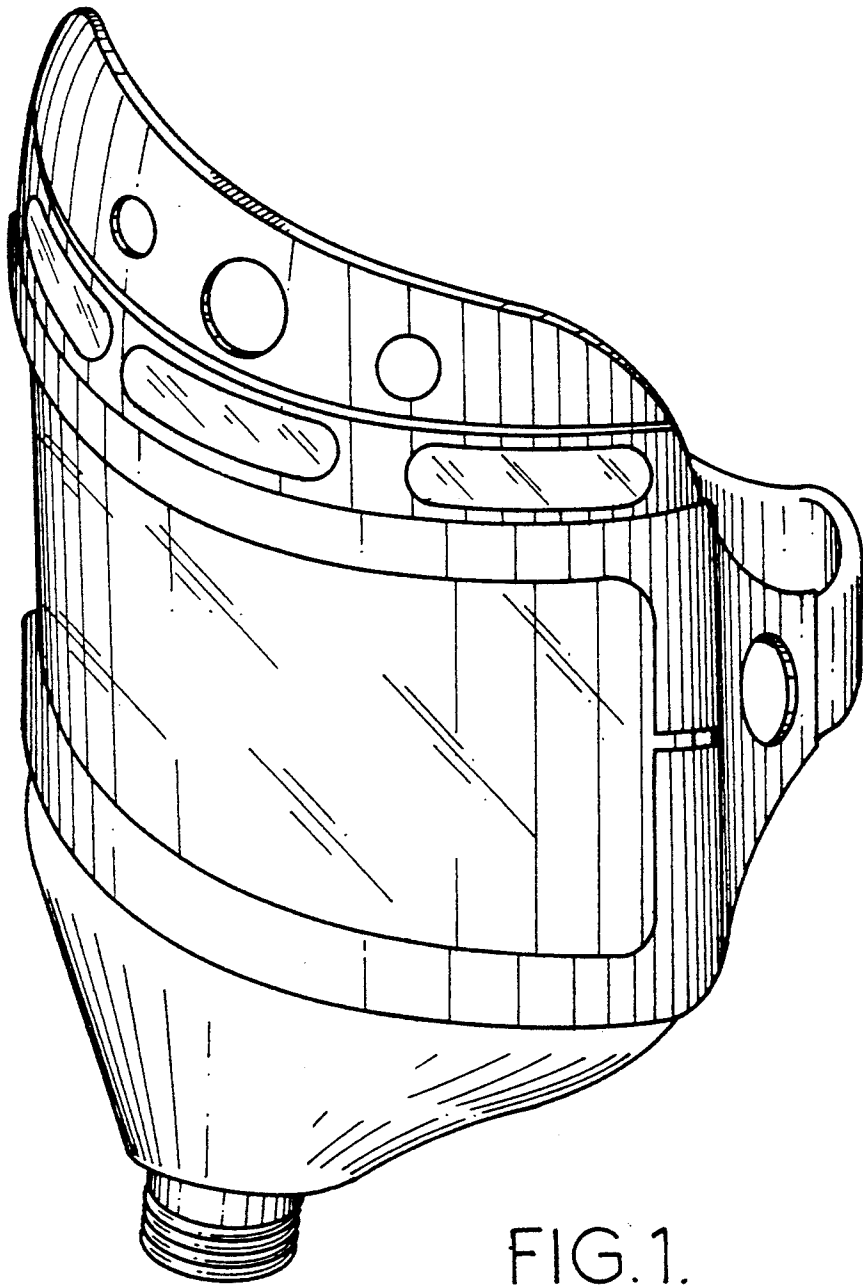
[56] References Cited

U.S. PATENT DOCUMENTS

3,182,658	5/1965	Klinger	128/201.12
3,528,415	9/1970	Malmin	128/202.13
3,820,538	6/1974	Nakanishi	128/202.13
4,195,918	4/1980	Freche et al.	128/201.12 X

FIG. 1 is a perspective view of the respirator having line of sight illumination embodying the design of the present invention;
 FIG. 2 is a front elevational view thereof;
 FIG. 3 is a rear elevational view thereof;
 FIG. 4 is a side elevational view thereof, the side opposite being a mirror image of the side shown in FIG. 4;
 FIG. 5 is a top plan view thereof; and,
 FIG. 6 is a bottom view thereof.





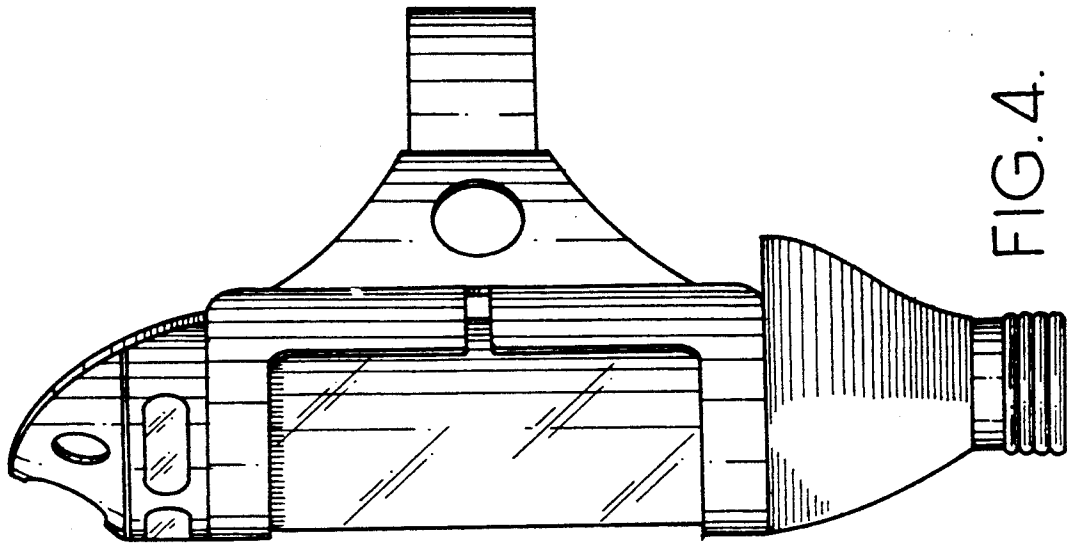


FIG. 4.

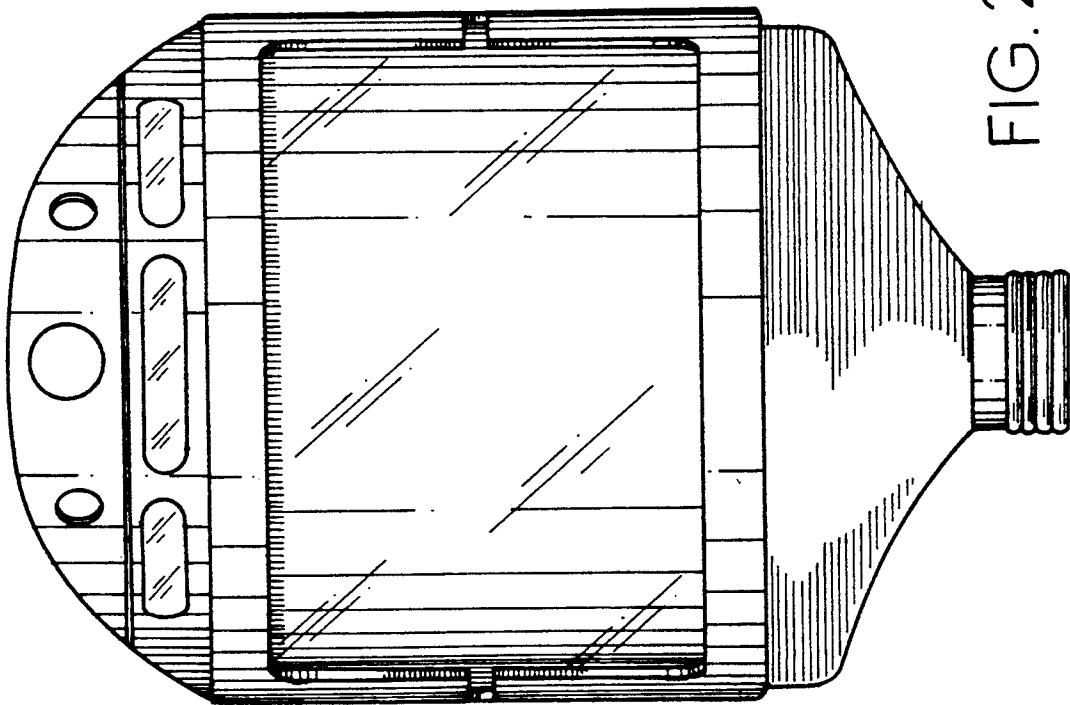


FIG. 2.

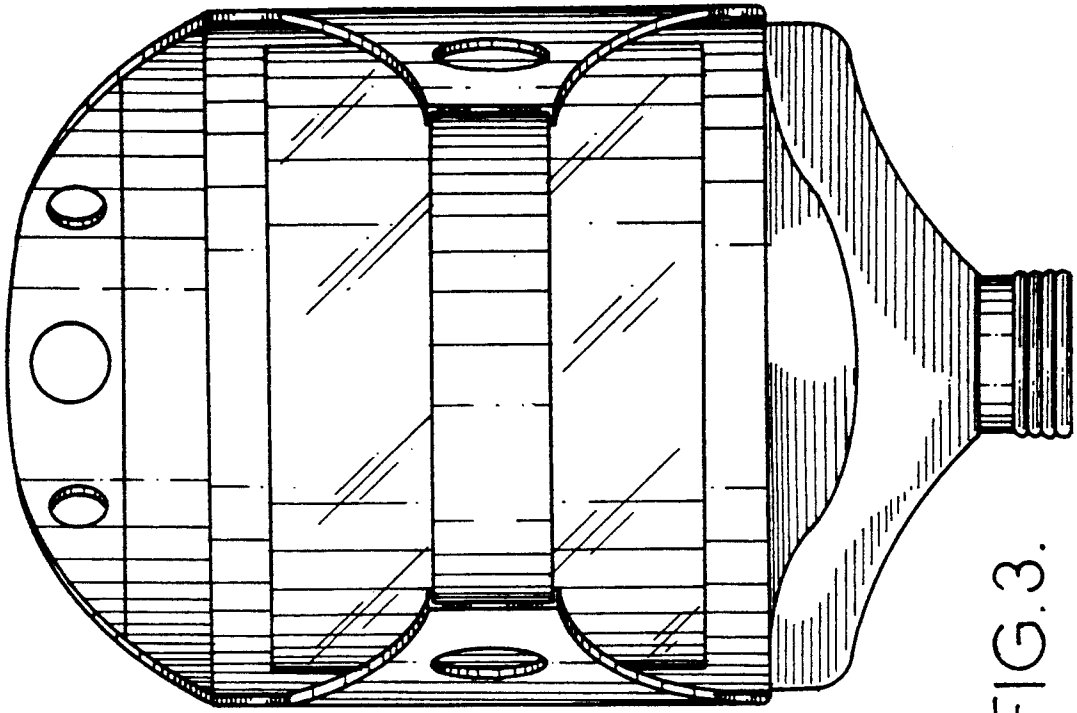


FIG. 3.

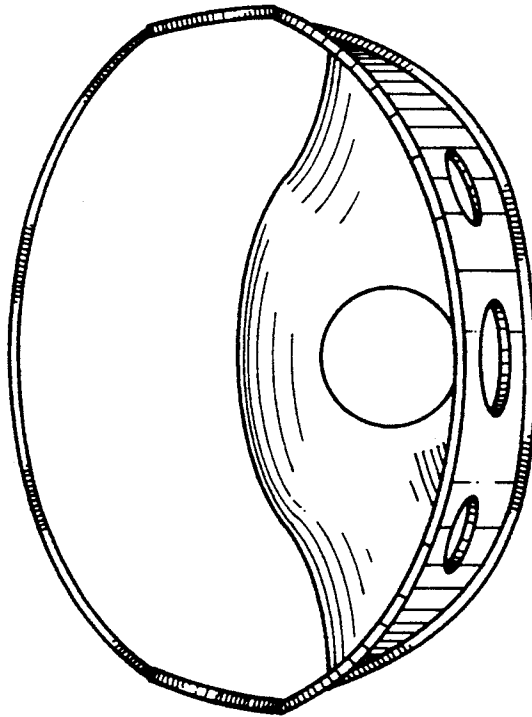


FIG. 5.

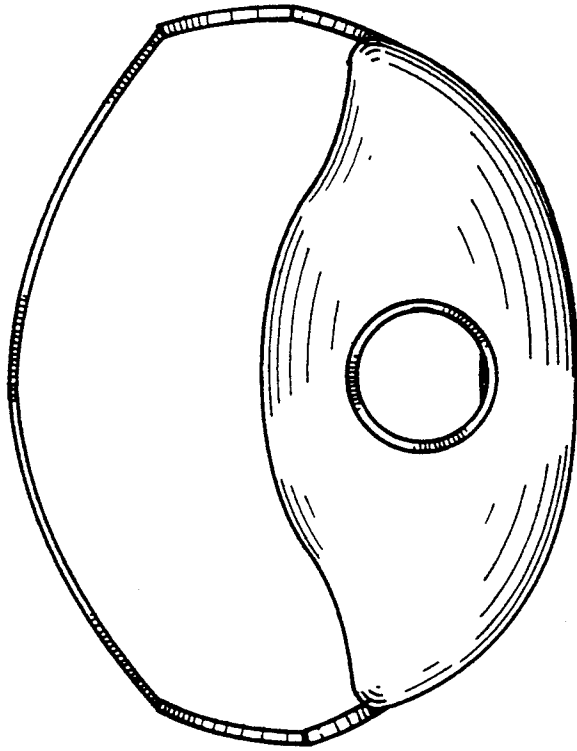


FIG. 6.