



US00D545778S

(12) **United States Design Patent** (10) **Patent No.:** **US D545,778 S**
Isshiki (45) **Date of Patent:** **** Jul. 3, 2007**

(54) TELEVISION SET	JP	D1183276	8/2003
	JP	D1184815	9/2003
(75) Inventor: Masao Isshiki, Kawasaki (JP)	JP	D1213666	8/2004
	JP	D1213667	8/2004
(73) Assignee: Kabushiki Kaisha Toshiba (JP)	JP	D1234221	3/2005

(**) Term: **14 Years**

(21) Appl. No.: **29/259,880**

(22) Filed: **May 18, 2006**

(30) **Foreign Application Priority Data**

Apr. 13, 2006 (JP) 2006-009636

(51) **LOC (8) Cl.** **14-03**

(52) **U.S. Cl.** **D14/126**

(58) **Field of Classification Search** D14/125-134,
D14/239, 371, 136, 374-377; 312/7.2; 348/836,
348/838, 180, 184, 325, 739; 341/12; 248/917-924,
248/465; 345/104, 133, 156, 168, 87, 173;
720/600, 655, 605, 669; 369/99, 197; 455/344-347
See application file for complete search history.

(56) **References Cited**

U.S. PATENT DOCUMENTS

D471,549 S *	3/2003	Tsuji	D14/375
D483,020 S *	12/2003	Nagao et al.	D14/126
D497,352 S	10/2004	Asanuma et al.		
D499,730 S *	12/2004	Yamashiro	D14/375
D503,158 S	3/2005	Asanuma et al.		

FOREIGN PATENT DOCUMENTS

JP D1127085 11/2001

OTHER PUBLICATIONS

B&H Summer Catalog, pp. 119-123, dated Jun. 2004.

* cited by examiner

Primary Examiner—Raphael Barkai

(74) *Attorney, Agent, or Firm*—Banner & Witcoff, Ltd.

(57) **CLAIM**

The ornamental design for a television set, as shown and described.

DESCRIPTION

FIG. 1 is a front, top and right side perspective view of a television set, showing my new design;

FIG. 2 is a front elevational view thereof;

FIG. 3 is a rear elevational view thereof;

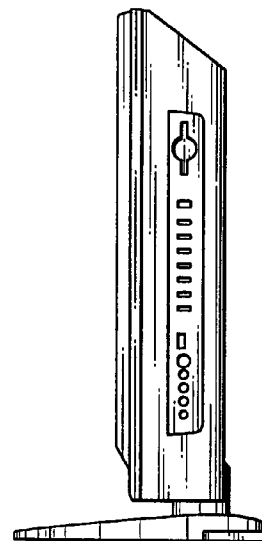
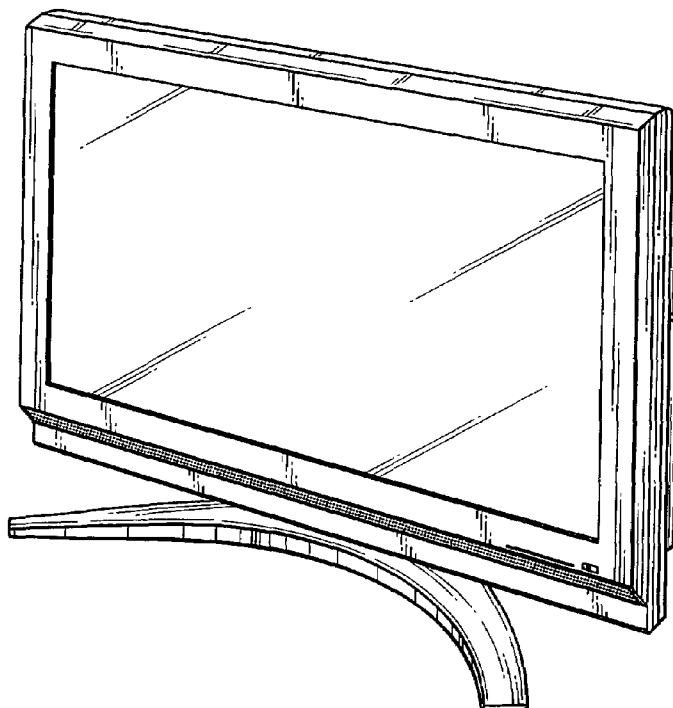
FIG. 4 is a top plan view thereof;

FIG. 5 is a bottom plan view thereof;

FIG. 6 is a left side elevational view thereof; and,

FIG. 7 is a right side elevational view thereof.

1 Claim, 4 Drawing Sheets



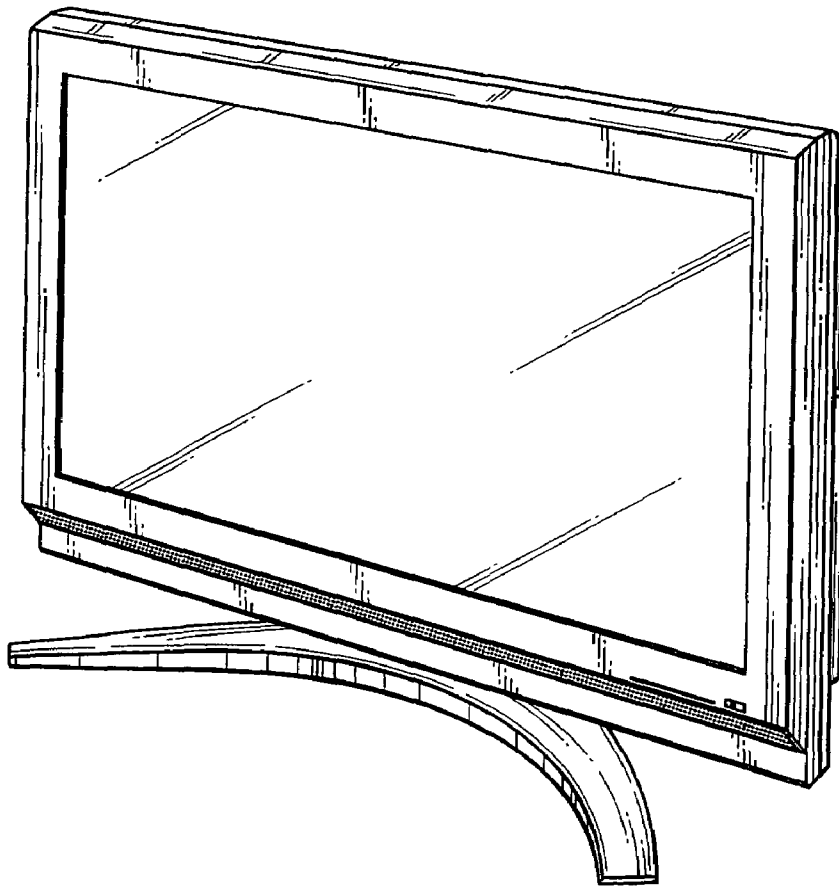


FIG. 1

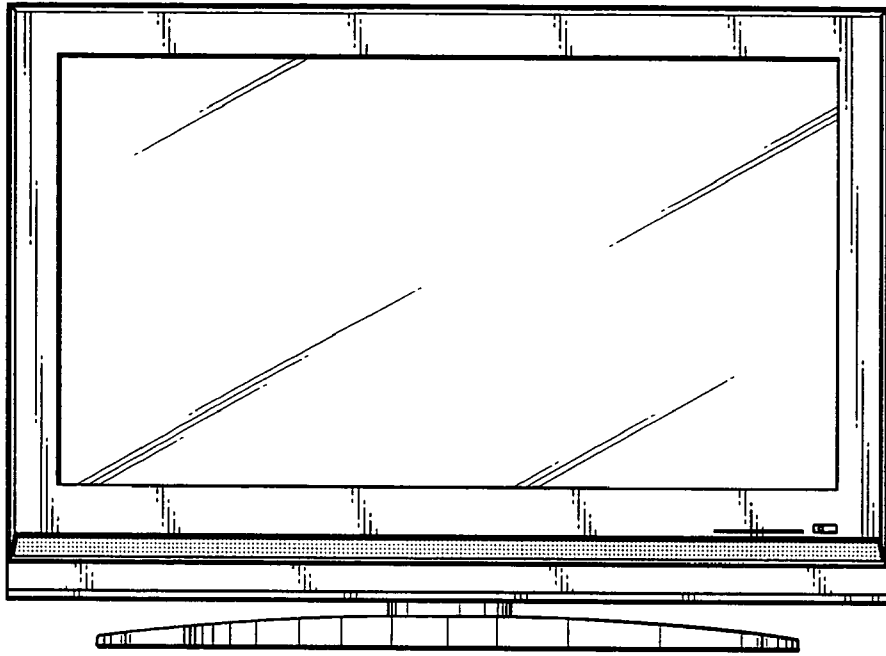


FIG. 2

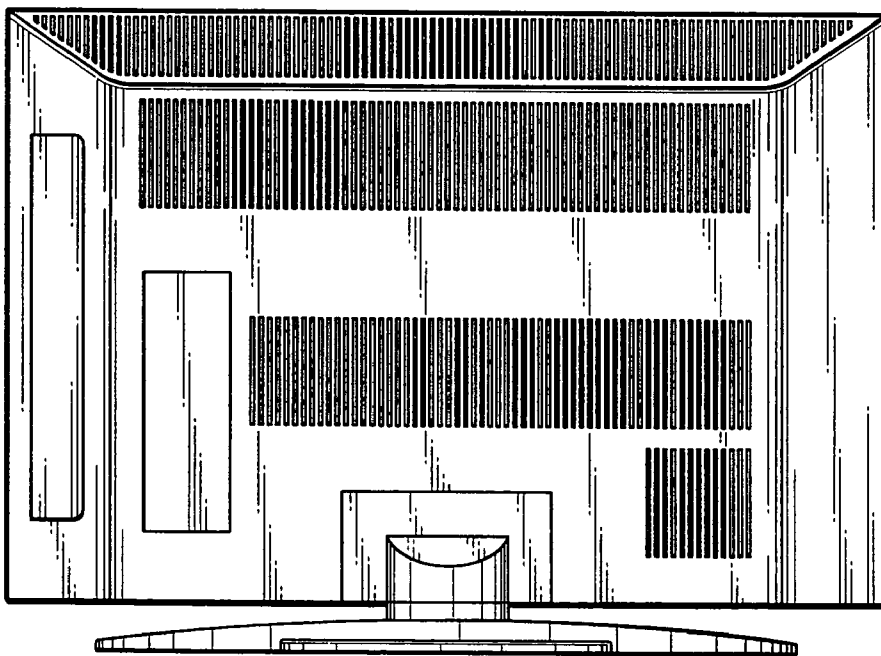


FIG. 3

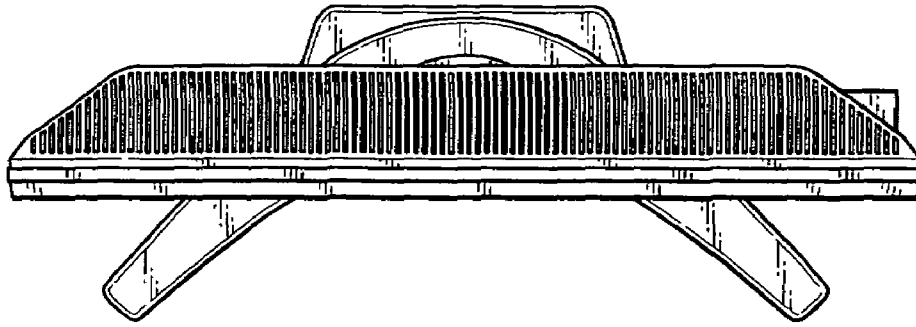


FIG. 4

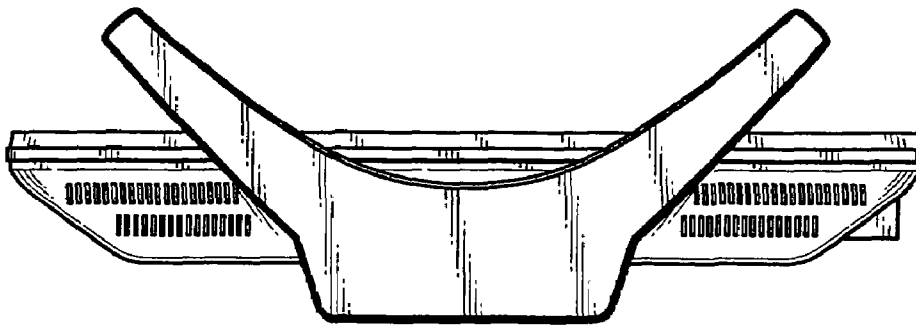


FIG. 5

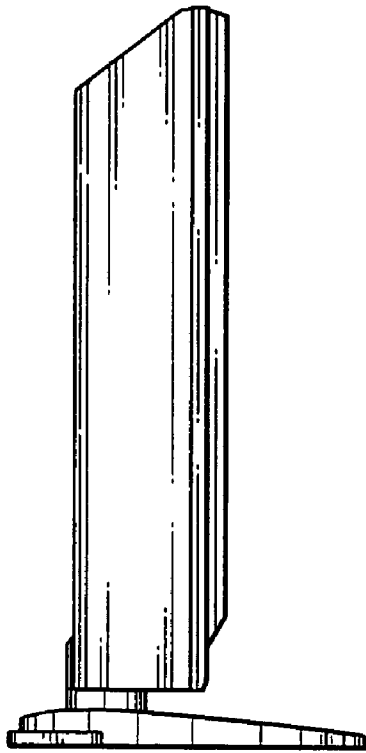


FIG. 6

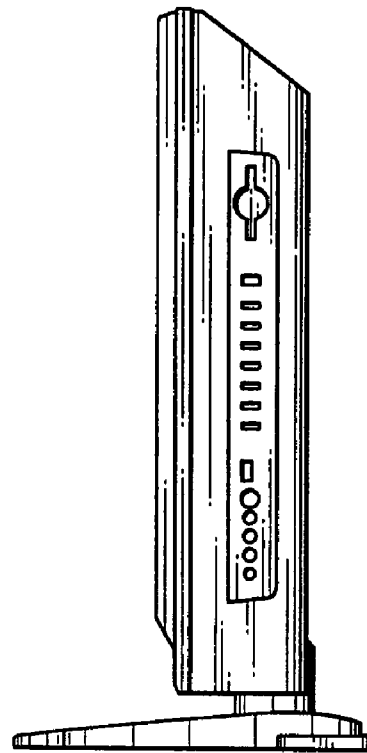


FIG. 7