



US00D802404S

(12) **United States Design Patent**
Turksu et al.

(10) **Patent No.:** **US D802,404 S**

(45) **Date of Patent:** **** Nov. 14, 2017**

- (54) **MAGNET CLIP MOUNT**
- (71) Applicant: **SARIANA, LLC**, San Diego, CA (US)
- (72) Inventors: **Alan Turksu**, San Diego, CA (US);
Mustafa Burak Guclu, San Diego, CA (US)
- (73) Assignee: **SARIANA, LLC**, San Diego, CA (US)
- (**) Term: **15 Years**
- (21) Appl. No.: **29/557,619**

- (22) Filed: **Mar. 10, 2016**
- (51) **LOC (10) Cl.** **08-05**
- (52) **U.S. Cl.**
USPC **D8/373; D8/349; D12/415**

- (58) **Field of Classification Search**
USPC D8/373, 349, 16, 19, 354, 355, 363, 364,
D8/366, 370-372, 376, 380, 381, 382,
D8/384-386, 396; D6/553, 550, 323,
D6/554, 555, 512, 327, 324, 567, 566;
D23/223, 238, 252, 257; D12/416, 415;
D11/208; D20/15, 41, 42; D25/38.1, 39,
D25/43
CPC F16M 13/00; F16B 1/00; F16B 47/003;
A45C 13/1069; A45C 13/002; A45C
11/00; A45C 2011/002; A45C 2200/15;
B60R 11/0241; B60R 11/02; B60R
2011/0063; B60R 2011/007; B60R
2011/0005; B60R 2011/0008; B60R
2011/0021; B60R 2011/0054; B60R
2011/0056; B60R 2011/0059; B60R
2011/6061

See application file for complete search history.

(56) **References Cited**

U.S. PATENT DOCUMENTS

- D273,840 S * 5/1984 Morita D11/231
- D371,793 S 7/1996 Patton

- D400,429 S * 11/1998 Morita D11/220
- D407,985 S 4/1999 Pimentel
- D426,491 S * 6/2000 Chan D11/220
- D435,835 S 1/2001 Steck
- D438,451 S * 3/2001 Reiter D11/220
- D441,639 S * 5/2001 Reiter D8/382
- D454,482 S * 3/2002 Morita D8/382
- D461,400 S * 8/2002 Aoki D8/382
- D464,562 S * 10/2002 Reiter D8/382
- D511,985 S 11/2005 Kelly, Jr.
- D512,417 S 12/2005 Hirakawa
- D515,040 S 2/2006 Jones
- D518,030 S 3/2006 Lin
- D526,973 S 8/2006 Gates
- D530,525 S 10/2006 Greene, II
- D561,345 S * 2/2008 Flick D23/207
- D601,564 S 10/2009 Maeno
- D602,911 S 10/2009 Wang
- D627,306 S 11/2010 Charleux
- D658,640 S 5/2012 Ivaskevicius

(Continued)

Primary Examiner — Mark Goodwin
(74) *Attorney, Agent, or Firm* — Wagenknecht IP Law Group PC

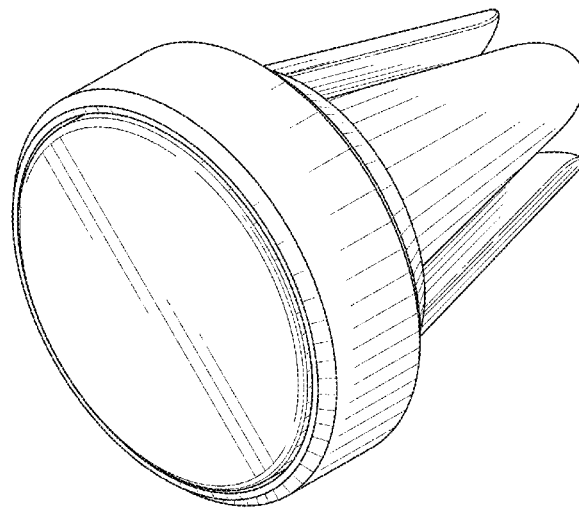
(57) **CLAIM**

What is claimed is an ornamental design for a magnet clip mount, as shown and described.

DESCRIPTION

FIG. 1 is a front, left, top view of a magnet clip mount showing our new design;
FIG. 2 is a front elevational view thereof;
FIG. 3 is a rear elevational view thereof;
FIG. 4 is right side elevational view thereof;
FIG. 5 is a left side elevational view thereof;
FIG. 6 is a top plan view thereof;
FIG. 7 is a bottom plan view thereof; and,
FIG. 8 is rear, right, top view thereof.
wherein the broken lines are included for illustrative purposes only and form no part of the claimed design.

1 Claim, 5 Drawing Sheets



(56)

References Cited

U.S. PATENT DOCUMENTS

D671,096 S	11/2012	Song		D746,165 S	12/2015	Li	
D671,528 S	11/2012	Fathollahi		D746,166 S	12/2015	Li	
D683,251 S	5/2013	Dumas		D747,229 S	1/2016	Perez	
D687,009 S	7/2013	Song		D747,984 S	1/2016	Zhao	
D690,707 S *	10/2013	Minn	D14/447	D750,612 S *	3/2016	Chen	D14/253
D691,879 S *	10/2013	Bernard	D8/382	D750,633 S *	3/2016	Minn	D14/447
D696,673 S *	12/2013	Vogel	D14/447	D765,651 S *	9/2016	Liu	D14/253
D700,904 S	3/2014	Miller		9,441,659 B2 *	9/2016	Ortwein	F16B 11/006
D702,146 S	4/2014	Giovanni		D769,860 S *	10/2016	Xiao	D14/253
D704,177 S	5/2014	Chun		D775,534 S *	1/2017	Turksu	D10/31
D705,748 S	5/2014	He		D778,714 S *	2/2017	McSweyn	D12/415
D706,249 S	6/2014	Holzer		D780,168 S *	2/2017	Du	D14/253
D709,066 S *	7/2014	Byun	D14/253	D781,297 S *	3/2017	Liao	D14/447
D715,132 S *	10/2014	McSweyn	D8/363	D782,462 S *	3/2017	Huang	D14/253
D718,612 S *	12/2014	McSweyn	D8/363	D782,901 S *	4/2017	Richter	D8/355
D724,060 S	3/2015	Ahn		D783,592 S *	4/2017	Ju	D14/253
D725,088 S	3/2015	Kwak		2005/0245254 A1	11/2005	Hall	
D726,161 S	4/2015	Howard		2012/0255505 A1	10/2012	Gauthier	
D729,773 S	5/2015	Salojarvi		2013/0272775 A1 *	10/2013	Ortwein	F16B 11/006 403/66
D739,708 S *	9/2015	McSweyn	D8/349	2013/0292481 A1	11/2013	Filson	
D743,382 S	11/2015	Katori		2014/0138419 A1 *	5/2014	Minn	B60R 11/0241 224/567
D743,954 S	11/2015	Chuang		2017/0035172 A1 *	2/2017	Kim	A45C 13/1069
				2017/0170858 A1 *	6/2017	Tiller	H04B 1/3877

* cited by examiner

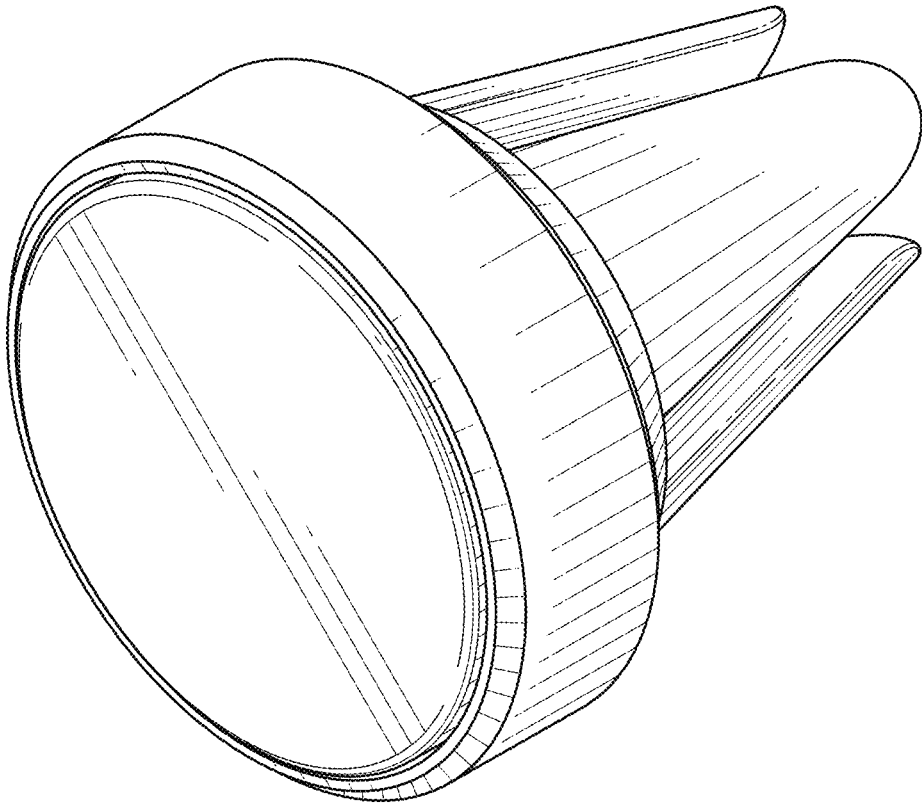


FIG. 1

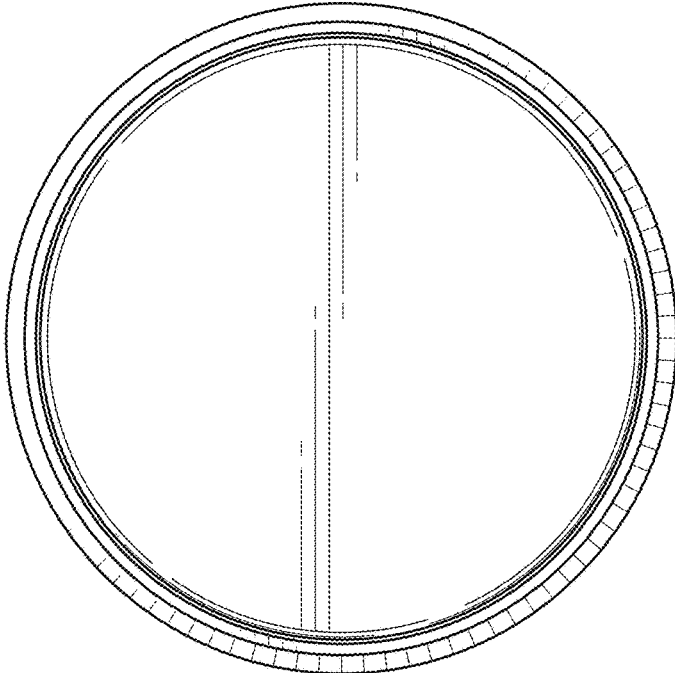


FIG. 2

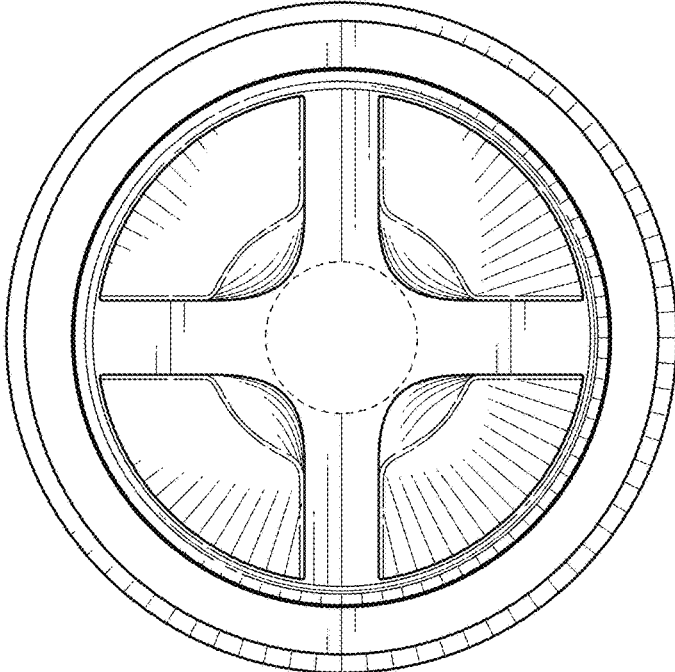


FIG. 3

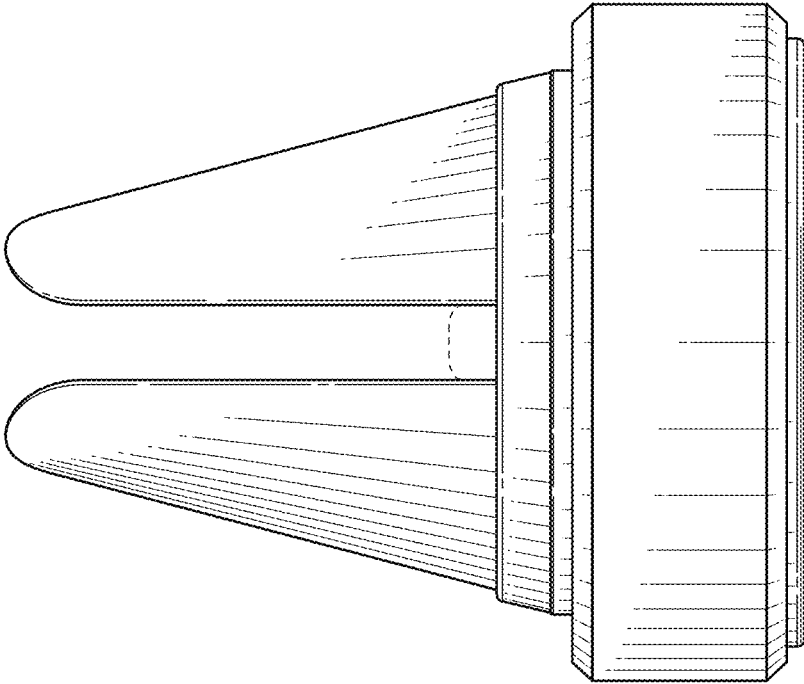


FIG. 4

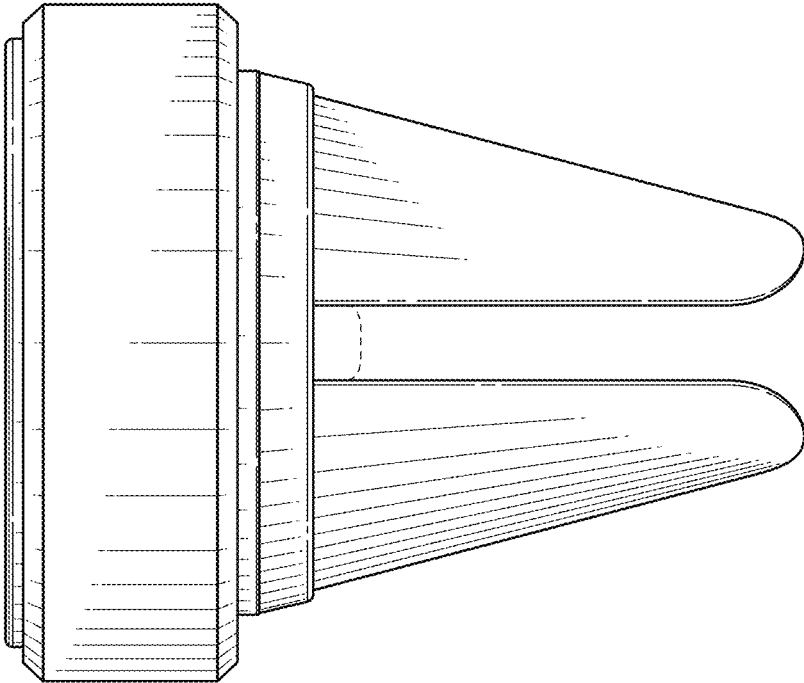


FIG. 5

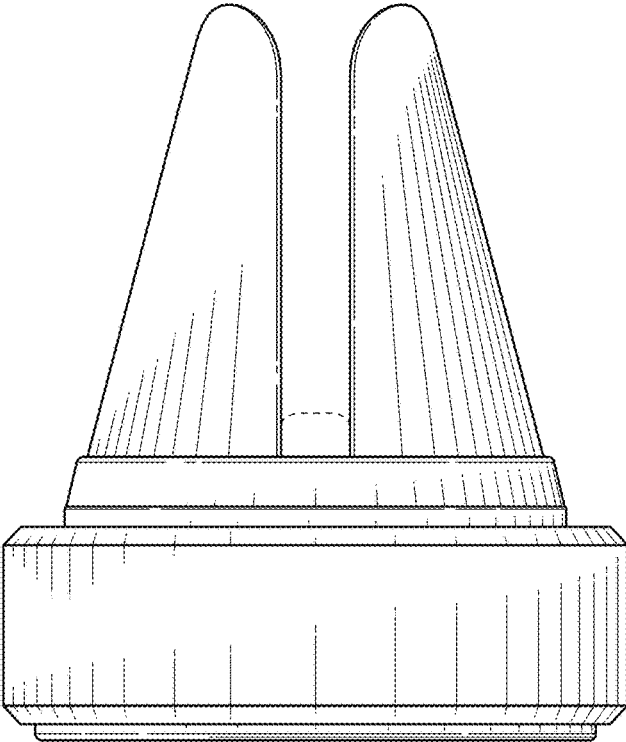


FIG. 6

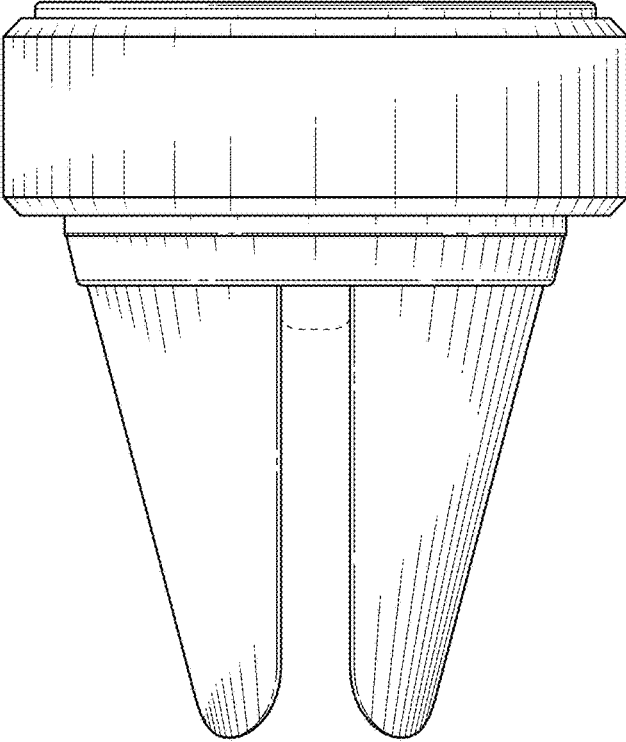


FIG. 7

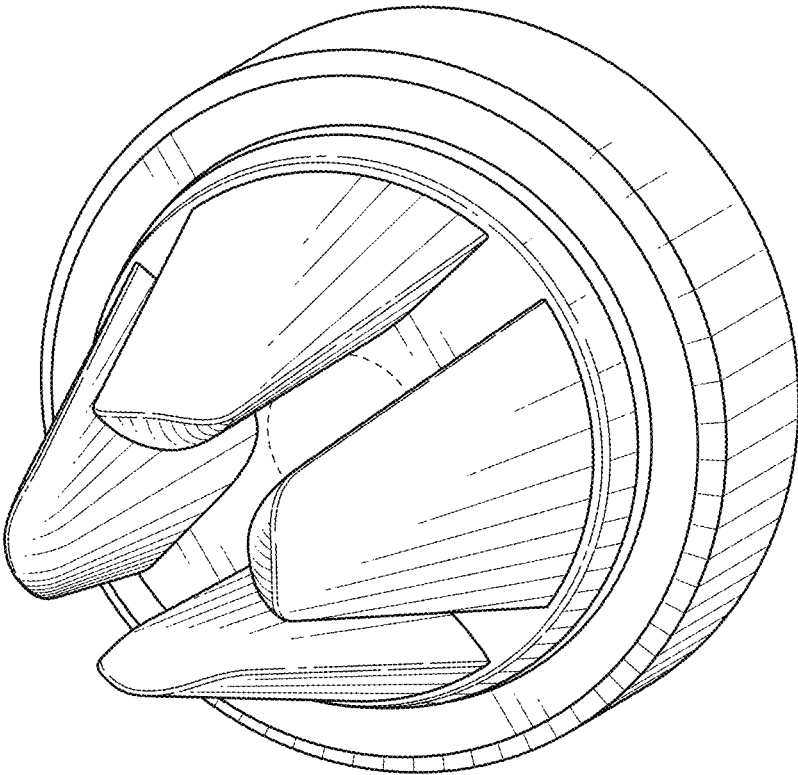


FIG. 8