



US00D376202S

United States Patent [19]

[11] Patent Number: **Des. 376,202**

Burke et al.

[45] Date of Patent: ****Dec. 3, 1996**

[54] ORTHOPAEDIC BONE CUTTING GUIDE

[75] Inventors: **Dennis W. Burke**, 245 Highland St., Milton, Mass. 02186; **Kim C. Bertin**, 1879 Ridge Hollow Dr., Bountiful, Utah 84010; **Daniel O'Connor**, East Taunton, Mass.; **Gregory C. Stalcup**, Columbia City; **Steven E. Dietzel**, Pierceton, both of Ind.

[73] Assignees: **Zimmer, Inc.**, Warsaw, Ind.; **Dennis W. Burke**, Milton, Mass.; **Kim C. Bertin**, Bountiful, Utah

[**] Term: **14 Years**

[21] Appl. No.: **25,744**

[22] Filed: **Jul. 11, 1994**

[52] U.S. Cl. **D24/140**

[58] Field of Search D24/140, 145; 606/88, 86, 87, 53, 79, 96, 83, 82

[56] References Cited

U.S. PATENT DOCUMENTS

D. 274,093	5/1984	Kenna	D24/140
D. 355,254	2/1993	Krafft et al.	D24/140
5,250,050	10/1993	Poggie et al.	606/82 X
5,342,367	8/1994	Ferrante et al.	606/86
5,344,423	9/1994	Dietz et al.	606/86 X
5,405,349	4/1995	Burkinshaw et al.	606/82 X
5,417,695	5/1995	Axelson, Jr.	606/89

Primary Examiner—Louis S. Zarfaz

Assistant Examiner—I. Simmons

Attorney, Agent, or Firm—Todd A. Dawson

[57] CLAIM

The ornamental design for an orthopaedic bone cutting guide, as shown and described.

DESCRIPTION

FIG. 1 is a left side elevational view of an orthopaedic instrument showing our new design;

FIG. 2 is a front elevational view thereof;

FIG. 3 is a top elevational view thereof;

FIG. 4 is a right side elevational view thereof;

FIG. 5 is a bottom side elevational view thereof;

FIG. 6 is a rear elevational view thereof;

FIG. 7 is a left side elevational view of an orthopaedic instrument showing a second embodiment of our new design;

FIG. 8 is a front elevational view thereof;

FIG. 9 is a top elevational view thereof;

FIG. 10 is a right side elevational view thereof;

FIG. 11 is a bottom side elevational view thereof;

FIG. 12 is a rear elevational view thereof;

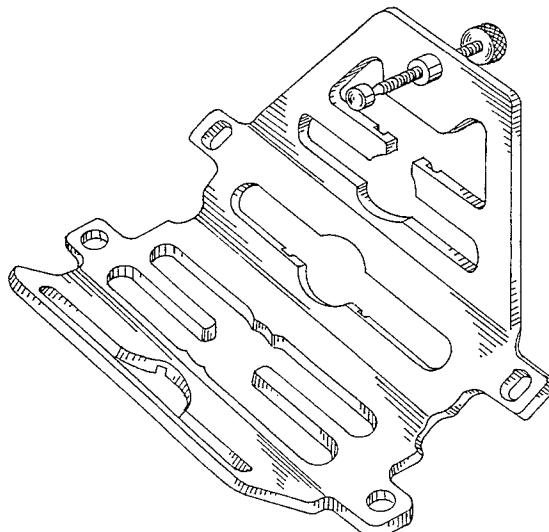
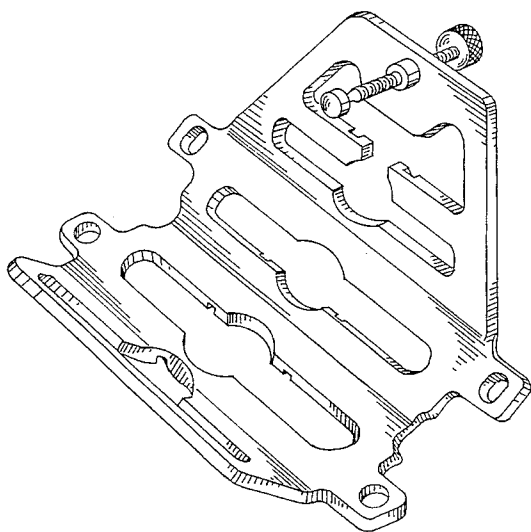
FIG. 13 is a bottom perspective view of the first embodiment of an orthopaedic bone cutting guide, as shown in FIG. 1;

FIG. 14 is a top perspective view thereof;

FIG. 15 is a bottom perspective view of the second embodiment of an orthopaedic bone cutting guide, as shown in FIG. 7; and,

FIG. 16 is a top perspective view thereof.

1 Claim, 10 Drawing Sheets



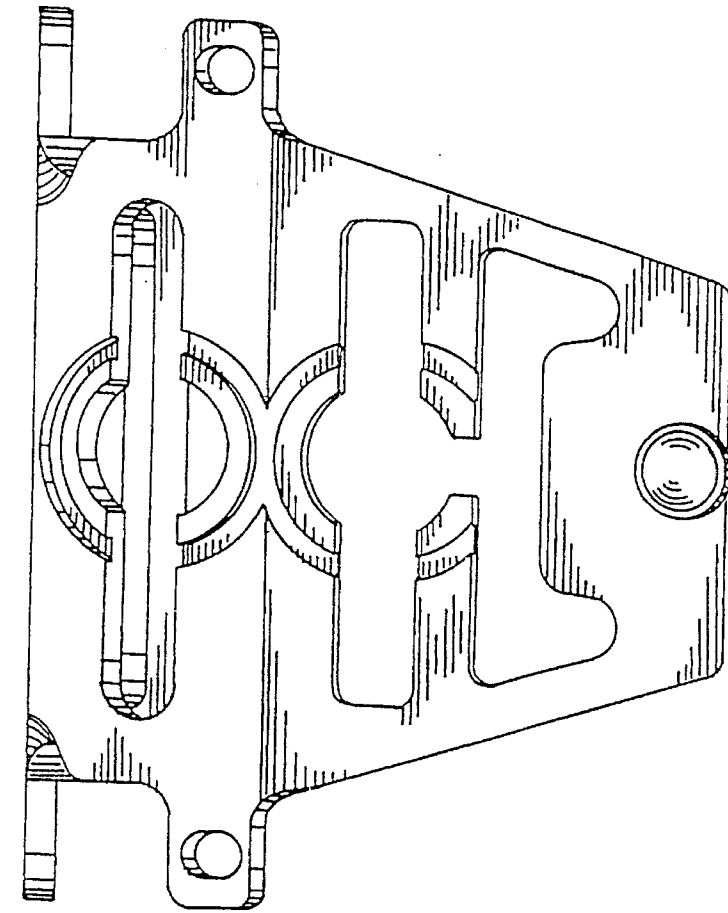


FIG. 2

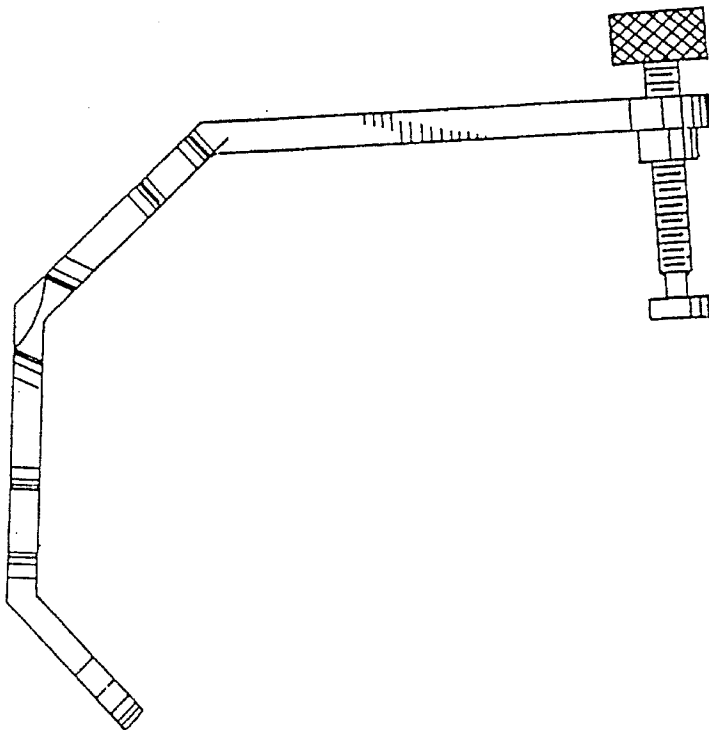


FIG. 1

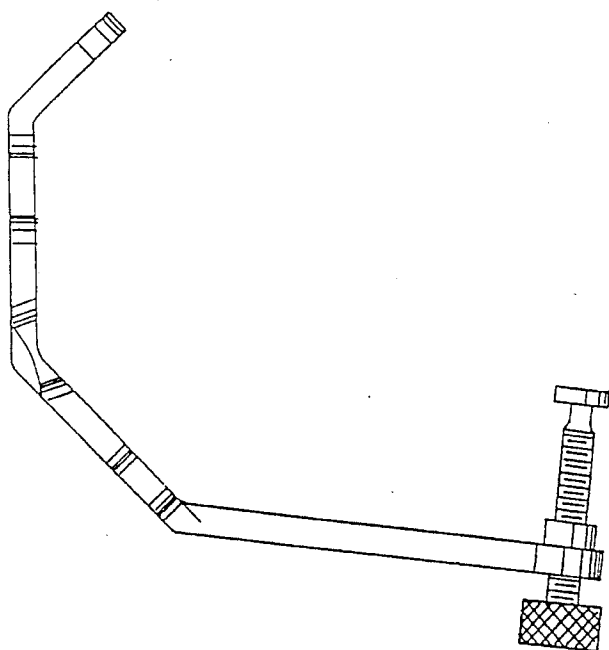


FIG. 4

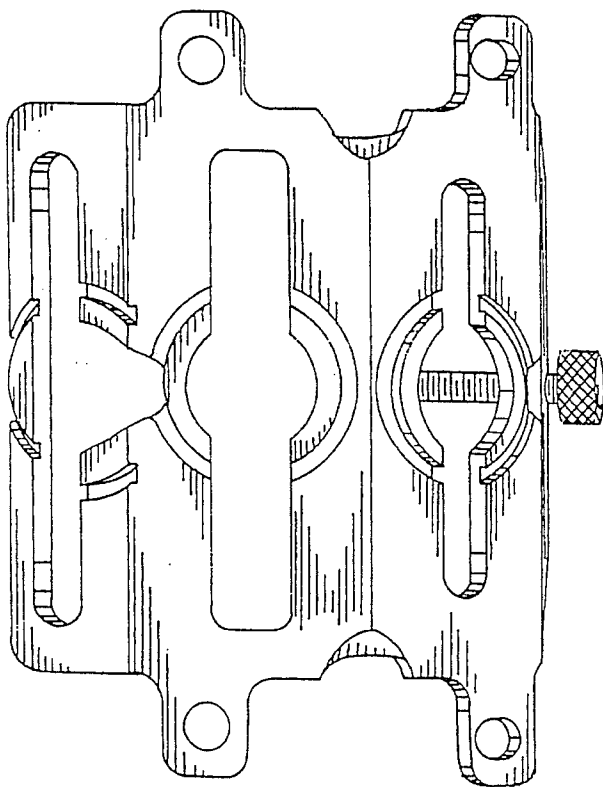


FIG. 3

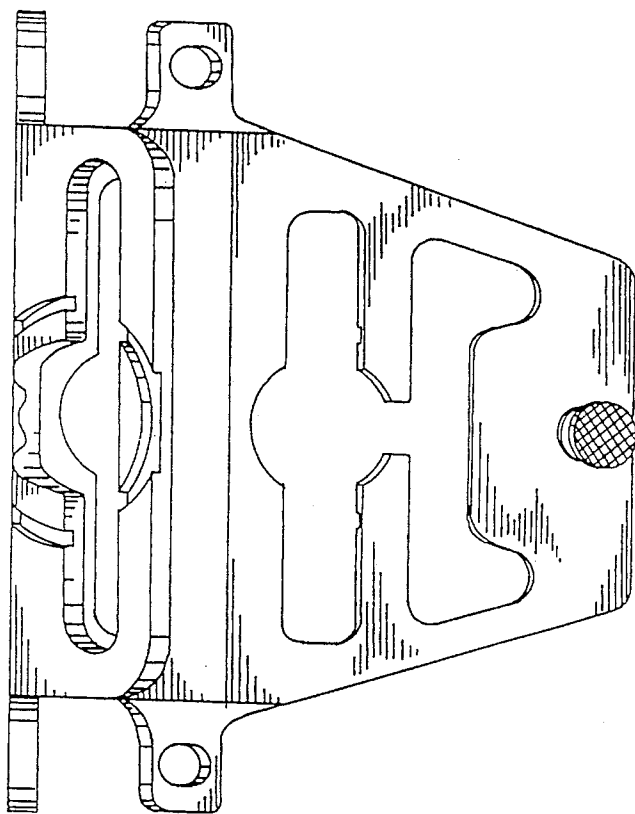


FIG. 6

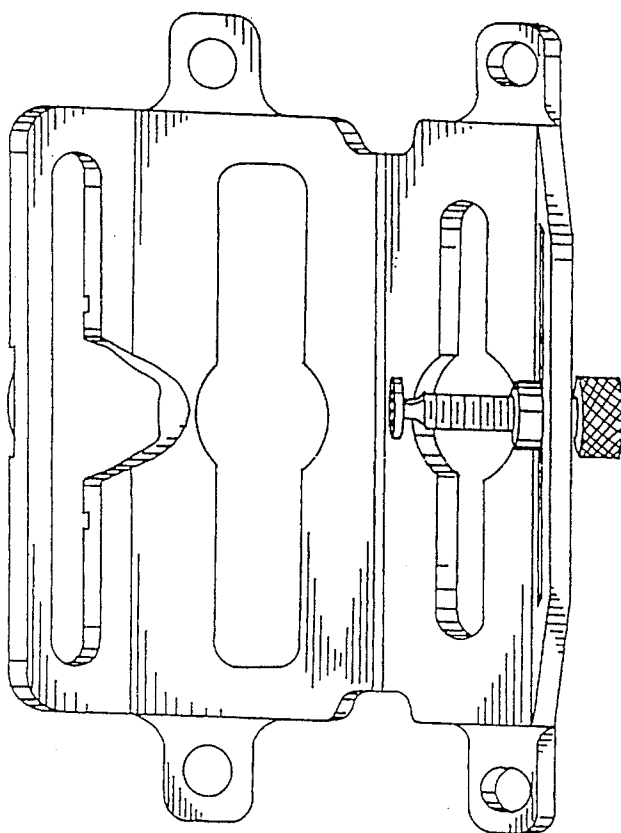


FIG. 5

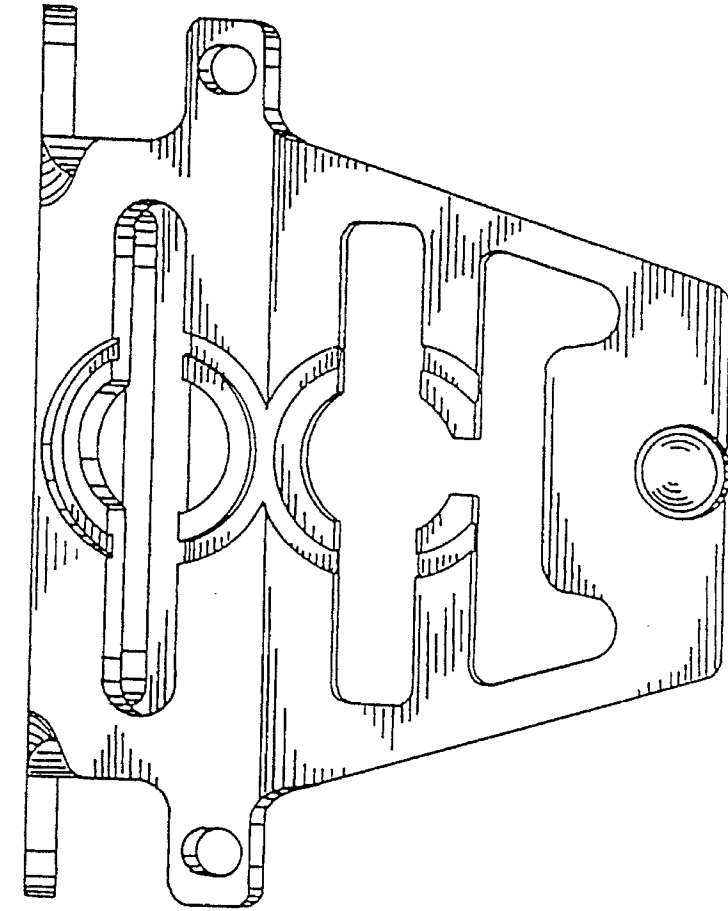


FIG. 8

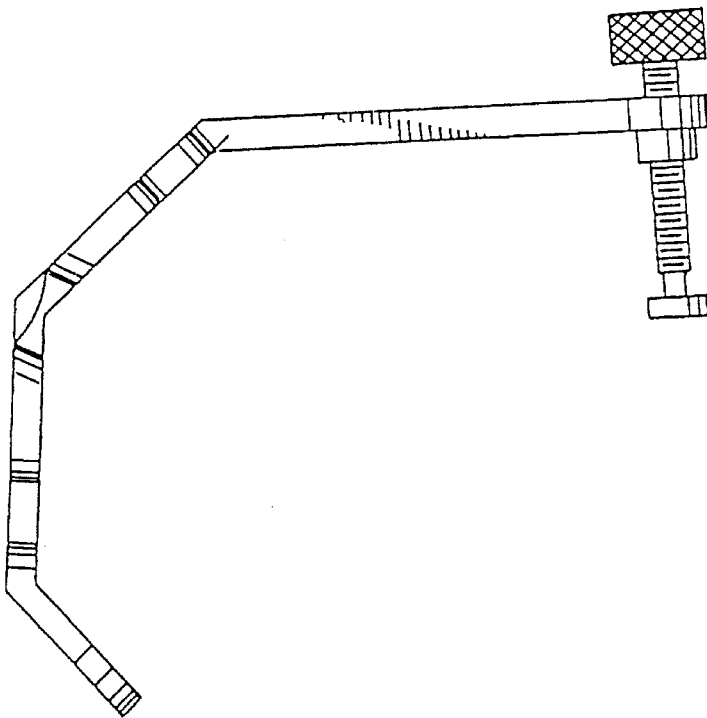


FIG. 7

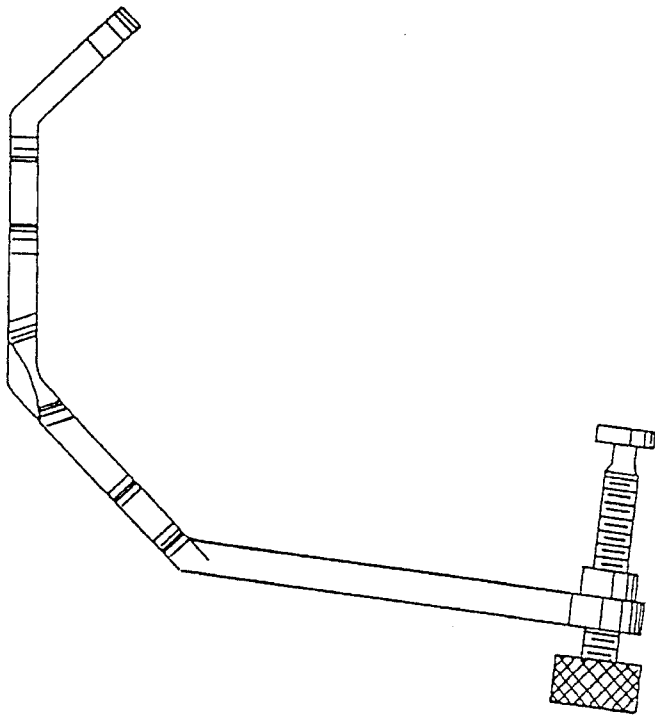


FIG. 10

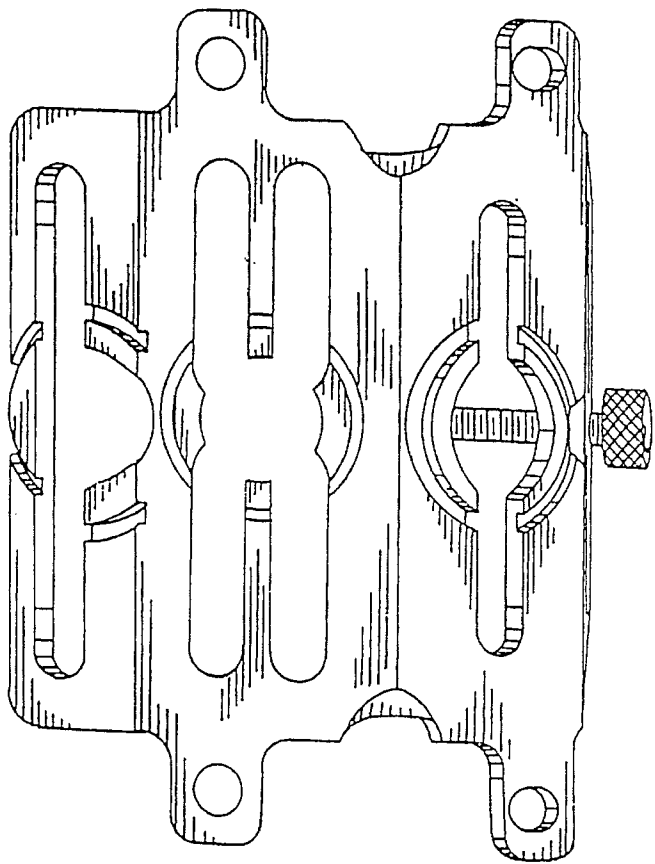


FIG. 9

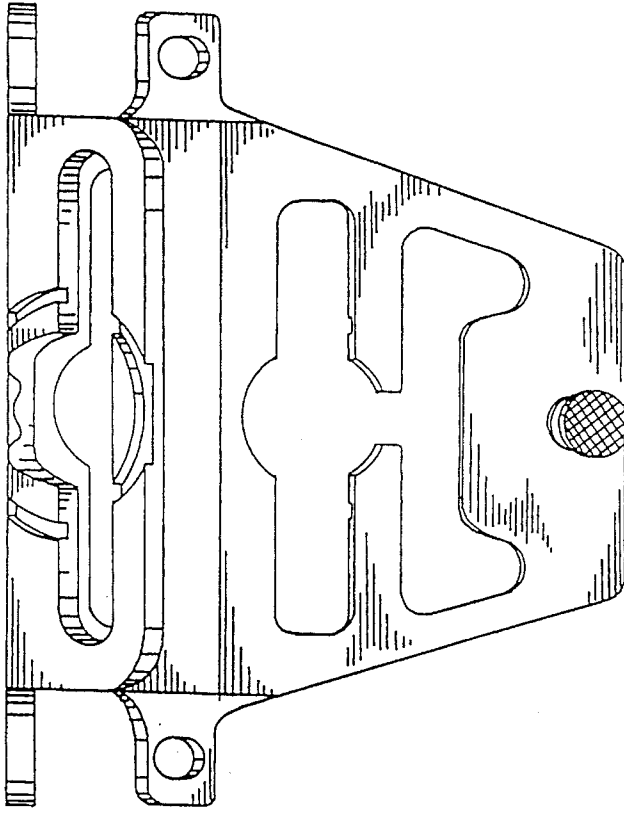


FIG. 12

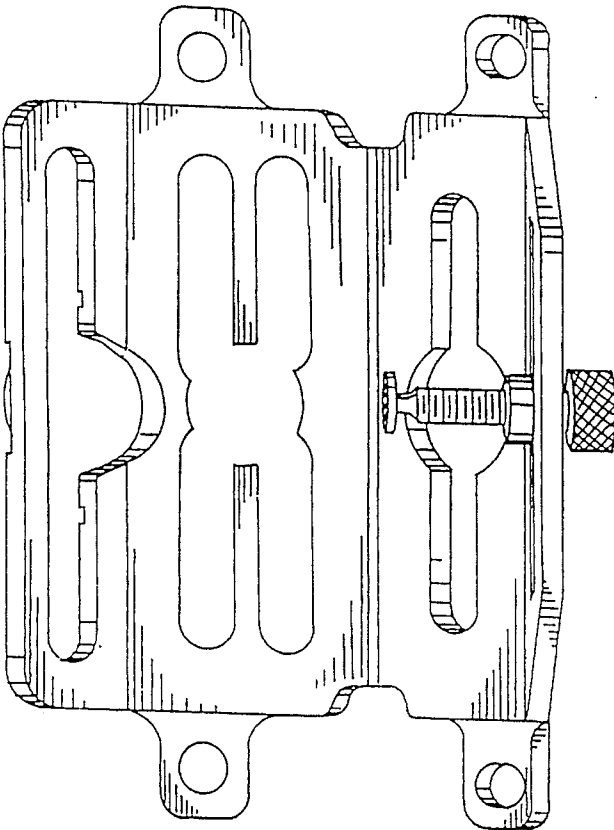


FIG. 11

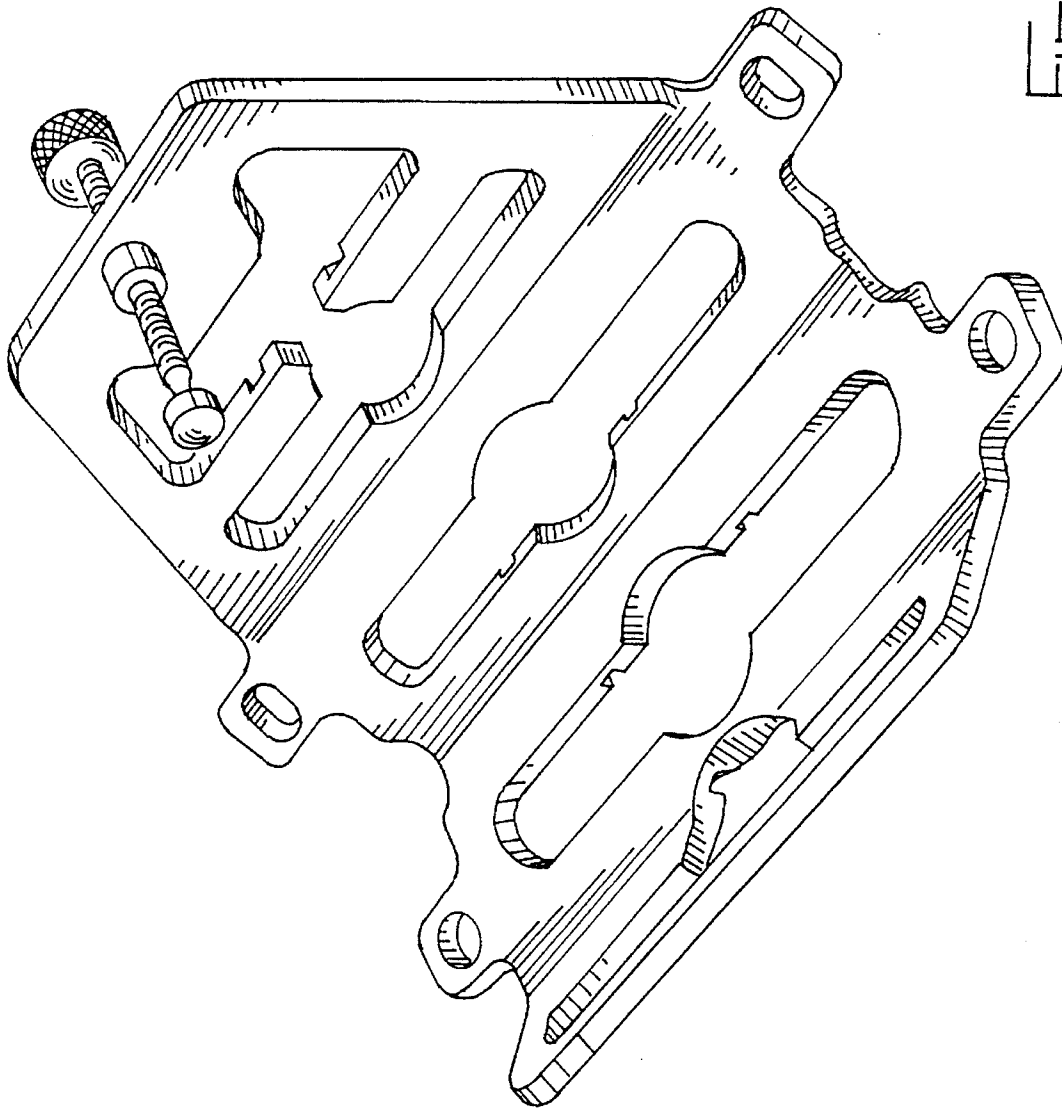


FIG. 13

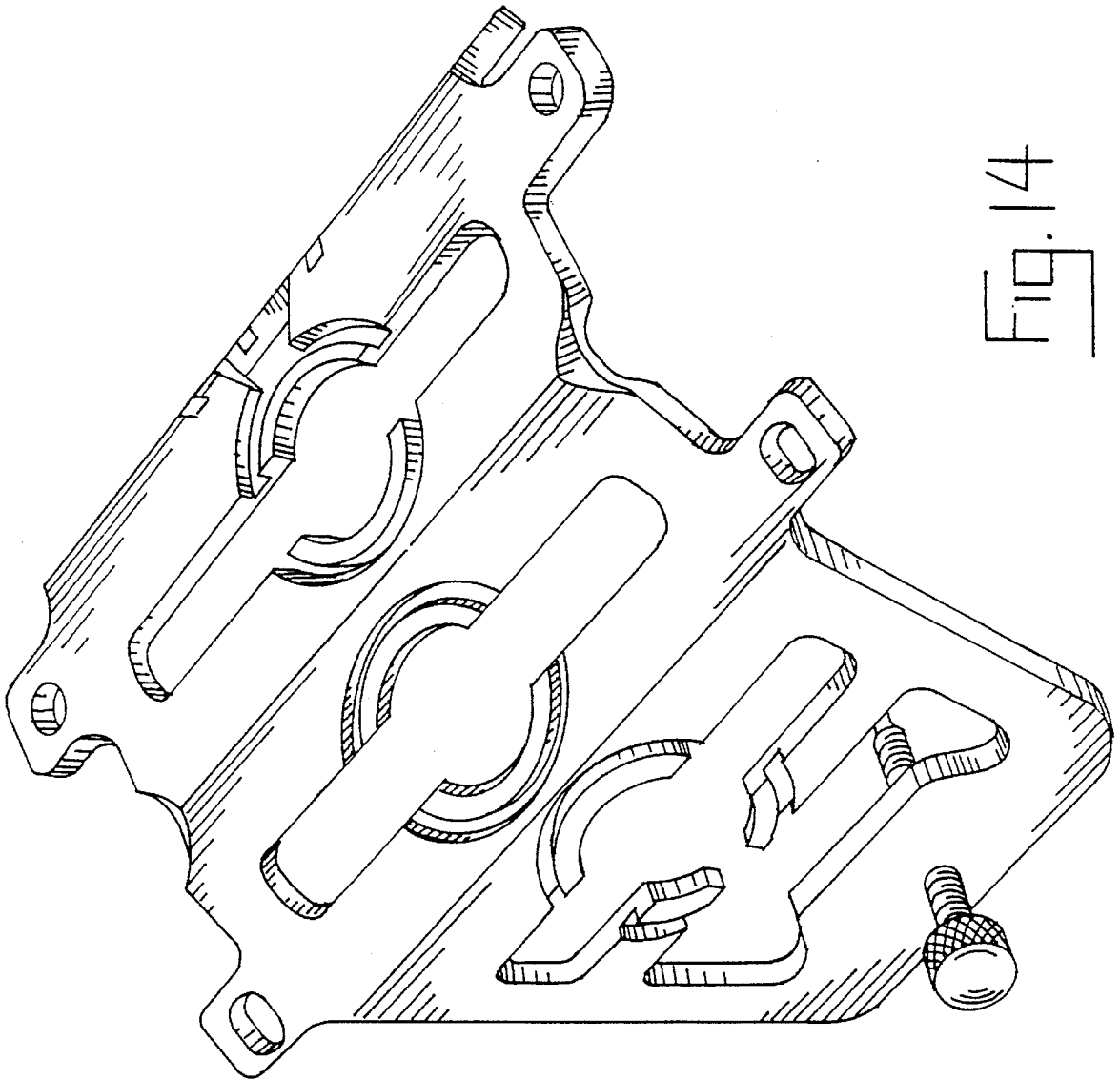


FIG. 14

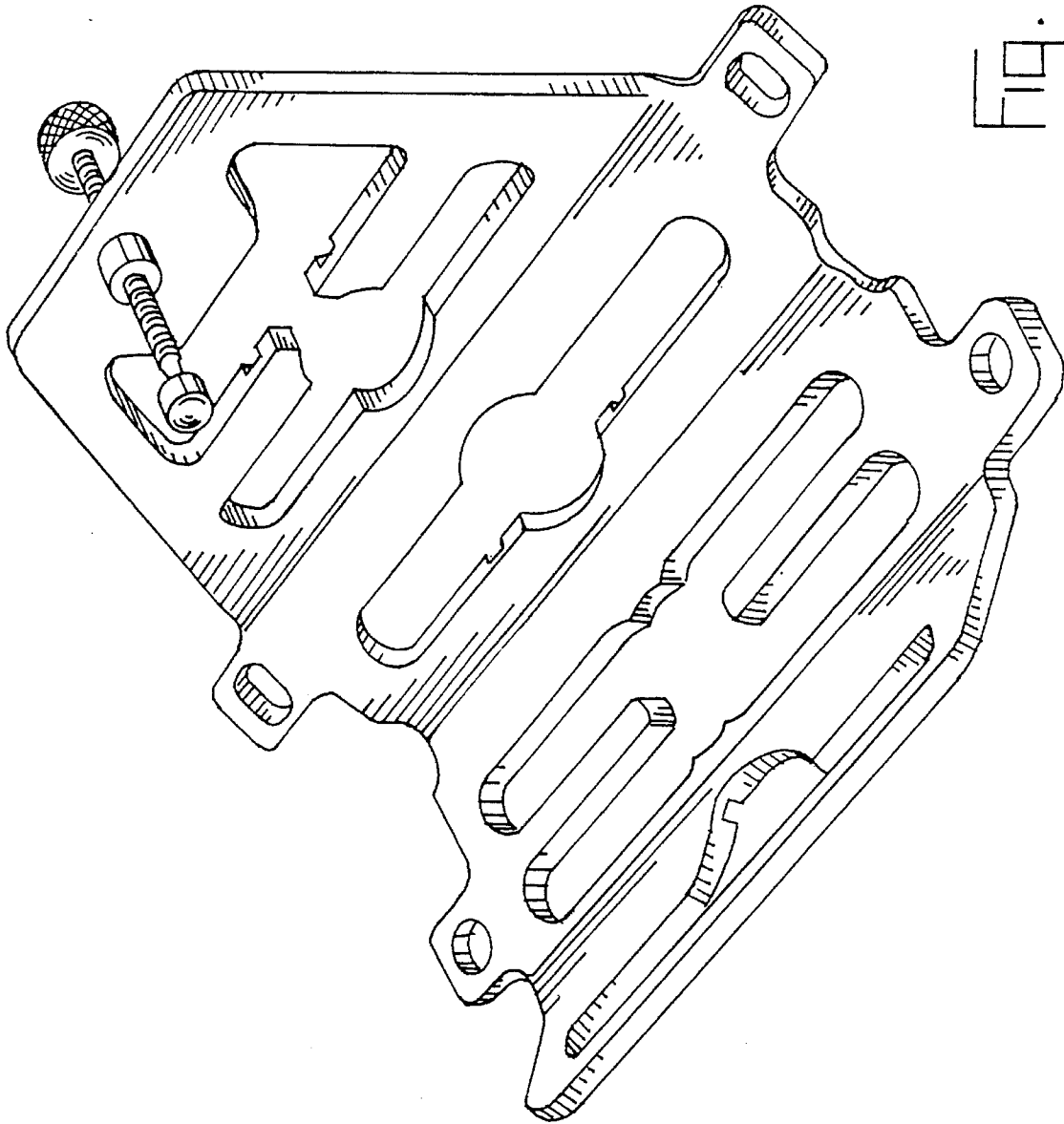


FIG. 15

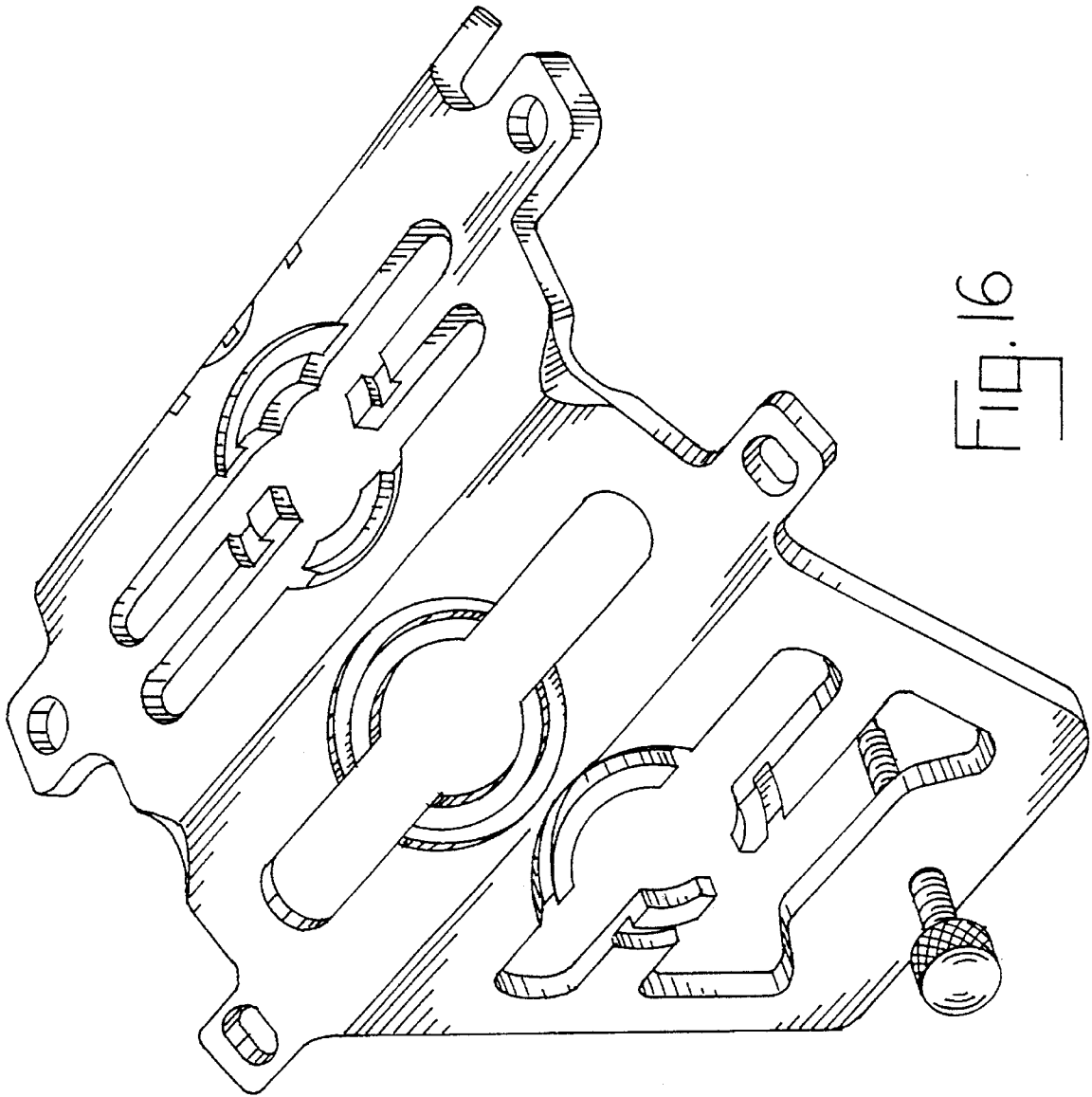


FIG. 16