



(51) International Patent Classification:

F16K 3/02 (2006.01) F16K 3/12 (2006.01)
E21B 33/06 (2006.01) F16K 25/00 (2006.01)

(21) International Application Number:

PCT/GB2013/051736

(22) International Filing Date:

1 July 2013 (01.07.2013)

(25) Filing Language:

English

(26) Publication Language:

English

(30) Priority Data:

13/540,145 2 July 2012 (02.07.2012) US

(71) Applicant: **VETCO GRAY U.K., LIMITED** [GB/GB];
Silverburn House, Claymore Drive, Bridge of Don Aber-
deenshire AB23 8GD (GB).

(72) Inventors: **ALEXANDER, David James**; 49 Forestside
Drive, Banchory Aberdeenshire AB31 5ZG (GB). **PA-
LANISAMY, Prabhu**; No. 131 Links Road, Aberdeen
Aberdeenshire AB24 5EH (GB). **HASHEMIZADEH,
Hussain**; 4 Carnie Park, Aberdeen Aberdeenshire AB32
6HW (GB).

(74) Agent: **ILLINGWORTH-LAW, William**; GE Interna-
tional Inc., Global Patent Operation - Europe, The Ark,
201 Talgarth Road, Hammersmith, London W6 8BJ (GB).

(81) Designated States (unless otherwise indicated, for every
kind of national protection available): AE, AG, AL, AM,

AO, AT, AU, AZ, BA, BB, BG, BH, BN, BR, BW, BY,
BZ, CA, CH, CL, CN, CO, CR, CU, CZ, DE, DK, DM,
DO, DZ, EC, EE, EG, ES, FI, GB, GD, GE, GH, GM, GT,
HN, HR, HU, ID, IL, IN, IS, JP, KE, KG, KN, KP, KR,
KZ, LA, LC, LK, LR, LS, LT, LU, LY, MA, MD, ME,
MG, MK, MN, MW, MX, MY, MZ, NA, NG, NI, NO, NZ,
OM, PA, PE, PG, PH, PL, PT, QA, RO, RS, RU, RW, SC,
SD, SE, SG, SK, SL, SM, ST, SV, SY, TH, TJ, TM, TN,
TR, TT, TZ, UA, UG, US, UZ, VC, VN, ZA, ZM, ZW.

(84) Designated States (unless otherwise indicated, for every
kind of regional protection available): ARIPO (BW, GH,
GM, KE, LR, LS, MW, MZ, NA, RW, SD, SL, SZ, TZ,
UG, ZM, ZW), Eurasian (AM, AZ, BY, KG, KZ, RU, TJ,
TM), European (AL, AT, BE, BG, CH, CY, CZ, DE, DK,
EE, ES, FI, FR, GB, GR, HR, HU, IE, IS, IT, LT, LU, LV,
MC, MK, MT, NL, NO, PL, PT, RO, RS, SE, SI, SK, SM,
TR), OAPI (BF, BJ, CF, CG, CI, CM, GA, GN, GQ, GW,
KM, ML, MR, NE, SN, TD, TG).

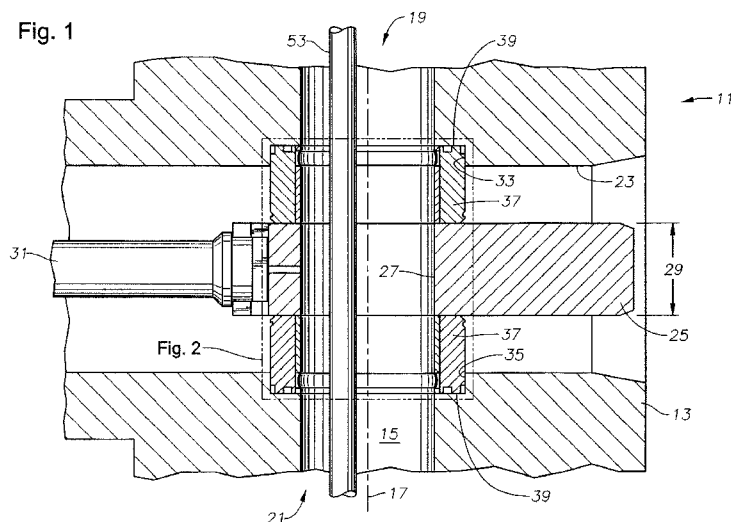
Published:

- with international search report (Art. 21(3))
- before the expiration of the time limit for amending the
claims and to be republished in the event of receipt of
amendments (Rule 48.2(h))

(88) Date of publication of the international search report:

7 August 2014

(54) Title: SPLIT SEAT SHEAR VALVE



(57) Abstract: A gate valve (11) has a gate valve seat (37) for sealing a valve body (13) to a gate (25) of the gate valve. The valve seat (37) extends from a flow passage (15) of the valve body into a cavity (23) of the valve body parallel to an axis of the flow passage. The cavity (23) is perpendicular to the flow passage (15), and the gate is disposed within the cavity. The valve seat (37) has a tubular body having a face for contact with a gate, and an end opposite the face adjacent to and in contact with the valve body. The valve seat also includes a sleeve positioned on an inner diameter of the tubular body, the sleeve adapted to receive a shear force for shearing a member extending through the flow passage, the inner sleeve having an adjustable length.



INTERNATIONAL SEARCH REPORT

International application No PCT/GB2013/051736

A. CLASSIFICATION OF SUBJECT MATTER				
INV. F16K3/02	E21B33/06	F16K3/12		
ADD.	F16K25/00			
According to International Patent Classification (IPC) or to both national classification and IPC				
B. FIELDS SEARCHED				
Minimum documentation searched (classification system followed by classification symbols) F16K E21B				
Documentation searched other than minimum documentation to the extent that such documents are included in the fields searched				
Electronic data base consulted during the international search (name of data base and, where practicable, search terms used) EPO-Internal, WPI Data				
C. DOCUMENTS CONSIDERED TO BE RELEVANT				
Category*	Citation of document, with indication, where appropriate, of the relevant passages	Relevant to claim No.		
A	GB 2 352 494 A (VETCO GRAY INC ABB [US]) 31 January 2001 (2001-01-31) the whole document	1-17		
A	----- EP 0 416 719 A1 (CAMERON IRON WORKS INC [US] COOPER IND INC [US]) 13 March 1991 (1991-03-13) the whole document -----	1-17		
<input type="checkbox"/> Further documents are listed in the continuation of Box C. <input checked="" type="checkbox"/> See patent family annex.				
* Special categories of cited documents : <table style="width: 100%; border: none;"> <tr> <td style="width: 50%; border: none; vertical-align: top;"> <p>"A" document defining the general state of the art which is not considered to be of particular relevance</p> <p>"E" earlier application or patent but published on or after the international filing date</p> <p>"L" document which may throw doubts on priority claim(s) or which is cited to establish the publication date of another citation or other special reason (as specified)</p> <p>"O" document referring to an oral disclosure, use, exhibition or other means</p> <p>"P" document published prior to the international filing date but later than the priority date claimed</p> </td> <td style="width: 50%; border: none; vertical-align: top;"> <p>"T" later document published after the international filing date or priority date and not in conflict with the application but cited to understand the principle or theory underlying the invention</p> <p>"X" document of particular relevance; the claimed invention cannot be considered novel or cannot be considered to involve an inventive step when the document is taken alone</p> <p>"Y" document of particular relevance; the claimed invention cannot be considered to involve an inventive step when the document is combined with one or more other such documents, such combination being obvious to a person skilled in the art</p> <p>"&" document member of the same patent family</p> </td> </tr> </table>			<p>"A" document defining the general state of the art which is not considered to be of particular relevance</p> <p>"E" earlier application or patent but published on or after the international filing date</p> <p>"L" document which may throw doubts on priority claim(s) or which is cited to establish the publication date of another citation or other special reason (as specified)</p> <p>"O" document referring to an oral disclosure, use, exhibition or other means</p> <p>"P" document published prior to the international filing date but later than the priority date claimed</p>	<p>"T" later document published after the international filing date or priority date and not in conflict with the application but cited to understand the principle or theory underlying the invention</p> <p>"X" document of particular relevance; the claimed invention cannot be considered novel or cannot be considered to involve an inventive step when the document is taken alone</p> <p>"Y" document of particular relevance; the claimed invention cannot be considered to involve an inventive step when the document is combined with one or more other such documents, such combination being obvious to a person skilled in the art</p> <p>"&" document member of the same patent family</p>
<p>"A" document defining the general state of the art which is not considered to be of particular relevance</p> <p>"E" earlier application or patent but published on or after the international filing date</p> <p>"L" document which may throw doubts on priority claim(s) or which is cited to establish the publication date of another citation or other special reason (as specified)</p> <p>"O" document referring to an oral disclosure, use, exhibition or other means</p> <p>"P" document published prior to the international filing date but later than the priority date claimed</p>	<p>"T" later document published after the international filing date or priority date and not in conflict with the application but cited to understand the principle or theory underlying the invention</p> <p>"X" document of particular relevance; the claimed invention cannot be considered novel or cannot be considered to involve an inventive step when the document is taken alone</p> <p>"Y" document of particular relevance; the claimed invention cannot be considered to involve an inventive step when the document is combined with one or more other such documents, such combination being obvious to a person skilled in the art</p> <p>"&" document member of the same patent family</p>			
Date of the actual completion of the international search	Date of mailing of the international search report			
18 June 2014	26/06/2014			
Name and mailing address of the ISA/ European Patent Office, P.B. 5818 Patentlaan 2 NL - 2280 HV Rijswijk Tel. (+31-70) 340-2040, Fax: (+31-70) 340-3016	Authorized officer Ott, Stéphane			

INTERNATIONAL SEARCH REPORT

Information on patent family members

International application No

PCT/GB2013/051736

Patent document cited in search report	Publication date	Patent family member(s)	Publication date
GB 2352494	A	31-01-2001	GB 2352494 A
			US 6454015 B1

EP 0416719	A1	13-03-1991	AT 110437 T
			AU 630171 B2
			AU 5210590 A
			BR 9003502 A
			CA 2012290 A1
			DE 69011787 D1
			DE 69011787 T2
			EP 0416719 A1
			NO 901957 A
			US 4997162 A
