



US0D1001817S

(12) **United States Design Patent**
Kaluza

(10) **Patent No.:** **US D1,001,817 S**

(45) **Date of Patent:** **** Oct. 17, 2023**

(54) **HOLDER FOR ELECTRONIC DISPLAYS**

(71) Applicant: **Erwin Müller GmbH**, Lingen (DE)

(72) Inventor: **Georg Kaluza**, Velbert (DE)

(**) Term: **15 Years**

(21) Appl. No.: **35/512,122**

(22) Filed: **May 25, 2021**

(80) **Hague Agreement Data**

Int. Filing Date: **May 25, 2021**

Int. Reg. No.: **DM/214880**

Int. Reg. Date: **May 25, 2021**

Int. Reg. Pub. Date: **Jul. 2, 2021**

(30) **Foreign Application Priority Data**

Nov. 27, 2020 (EM) 008286942

(51) **LOC (14) Cl.** **14-02**

(52) **U.S. Cl.**
USPC **D14/452**

(58) **Field of Classification Search**

USPC D3/201, 218; D13/103, 107, 108, 119;
D14/217, 238.1, 247, 248, 250–253, 434,
D14/440, 447, 451, 452, 239, 375, 377
CPC A45C 1/06; A45C 2011/002; A45C 11/00;
A45F 2005/028; A45F 2200/0525
See application file for complete search history.

(56) **References Cited**

U.S. PATENT DOCUMENTS

D508,917 S * 8/2005 Wills D14/452
D553,135 S * 10/2007 Muday D14/452
D568,325 S * 5/2008 Muday D14/452
D619,586 S * 7/2010 Richter D14/447
D619,587 S * 7/2010 Richter D14/447
D649,535 S * 11/2011 Lau D14/239
D660,307 S * 5/2012 Huang D14/452

D660,308 S * 5/2012 Huang D14/452
D660,842 S * 5/2012 Kaluza D14/452
D660,843 S * 5/2012 Kaluza D14/452
D660,844 S * 5/2012 Kaluza D14/452
D706,275 S * 6/2014 Derry D14/452
D791,776 S * 7/2017 Monsalve D14/447
9,746,128 B2 * 8/2017 Huang F16M 11/2014
D803,840 S * 11/2017 Burmester D14/447

(Continued)

OTHER PUBLICATIONS

3M Dual-Swivel Monitor Arm, publication date Mar. 30, 2011,
[online] URL: <https://www.amazon.com/3M-Monitor-Holding-Monitors-MA140MB/dp/B009NSJ8J4> (Year: 2011).*

(Continued)

Primary Examiner — L. A. Grabenstetter

(74) *Attorney, Agent, or Firm* — Bachman & LaPointe,
P.C.

(57) **CLAIM**

The ornamental design for a holder for electronic displays,
as shown and described.

DESCRIPTION

2. Holder for electronic displays

FIG. 2.1 : Front Perspective

FIG. 2.2 : Front Perspective shown in an alternate configuration

FIG. 2.3 : Back Perspective

FIG. 2.4 : Back Perspective shown in an alternate configuration

FIG. 2.5 : Left shown in an alternate configuration

FIG. 2.6 : Top

FIG. 2.7 : Right

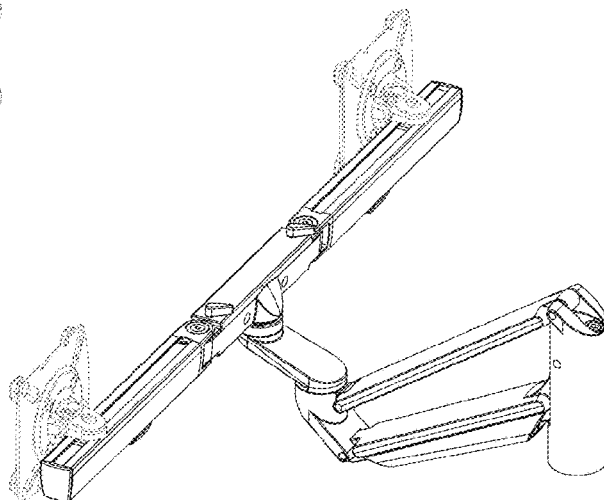
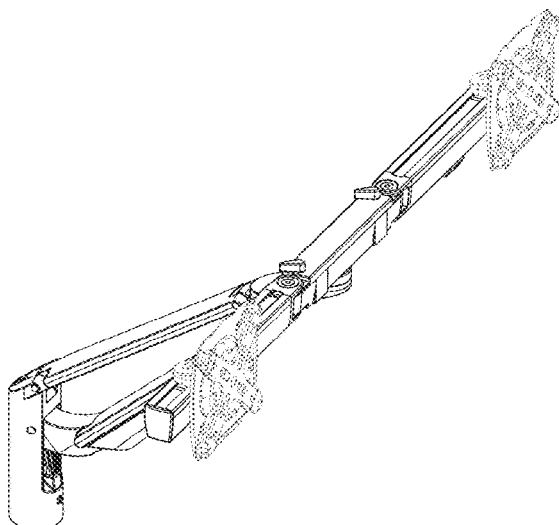
FIG. 2.8 : Left

FIG. 2.9 : Back

FIG. 2.10 : Front

The broken lines depict portions of the holder for electronic displays that form no part of the claimed design.

1 Claim, 10 Drawing Sheets



(56)

References Cited

U.S. PATENT DOCUMENTS

D812,066	S	*	3/2018	Lazzi	D14/447
D835,114	S	*	12/2018	Lazzi	D14/447
D847,141	S	*	4/2019	Williams	D14/447
D884,711	S	*	5/2020	Zhang	D14/447
D905,700	S	*	12/2020	Lu	D14/452
D918,218	S	*	5/2021	Lyu	D14/452
D923,018	S	*	6/2021	Lu	D14/452
D928,793	S	*	8/2021	Shu	D14/452
D928,794	S	*	8/2021	Kaluza	D14/452
2019/0374025	A1	*	12/2019	Bowman	A47B 21/02

OTHER PUBLICATIONS

6 Best Dual Monitor Stands for Gaming, publication date Dec. 10, 2019, [online] URL: <https://www.guidingtech.com/best-dual-monitor-stands-gaming-buy/> (Year: 2019).*

* cited by examiner

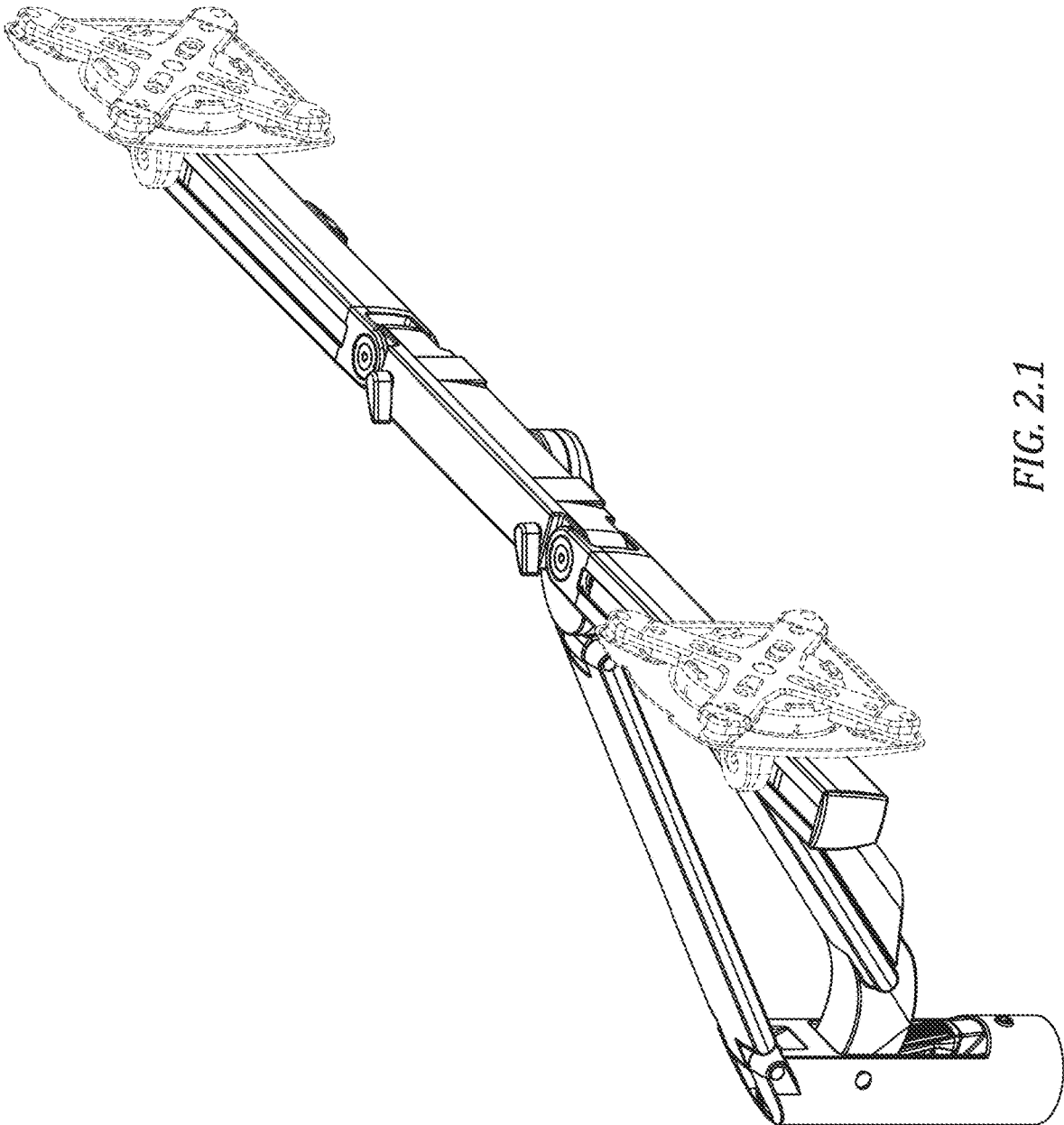


FIG. 2.1

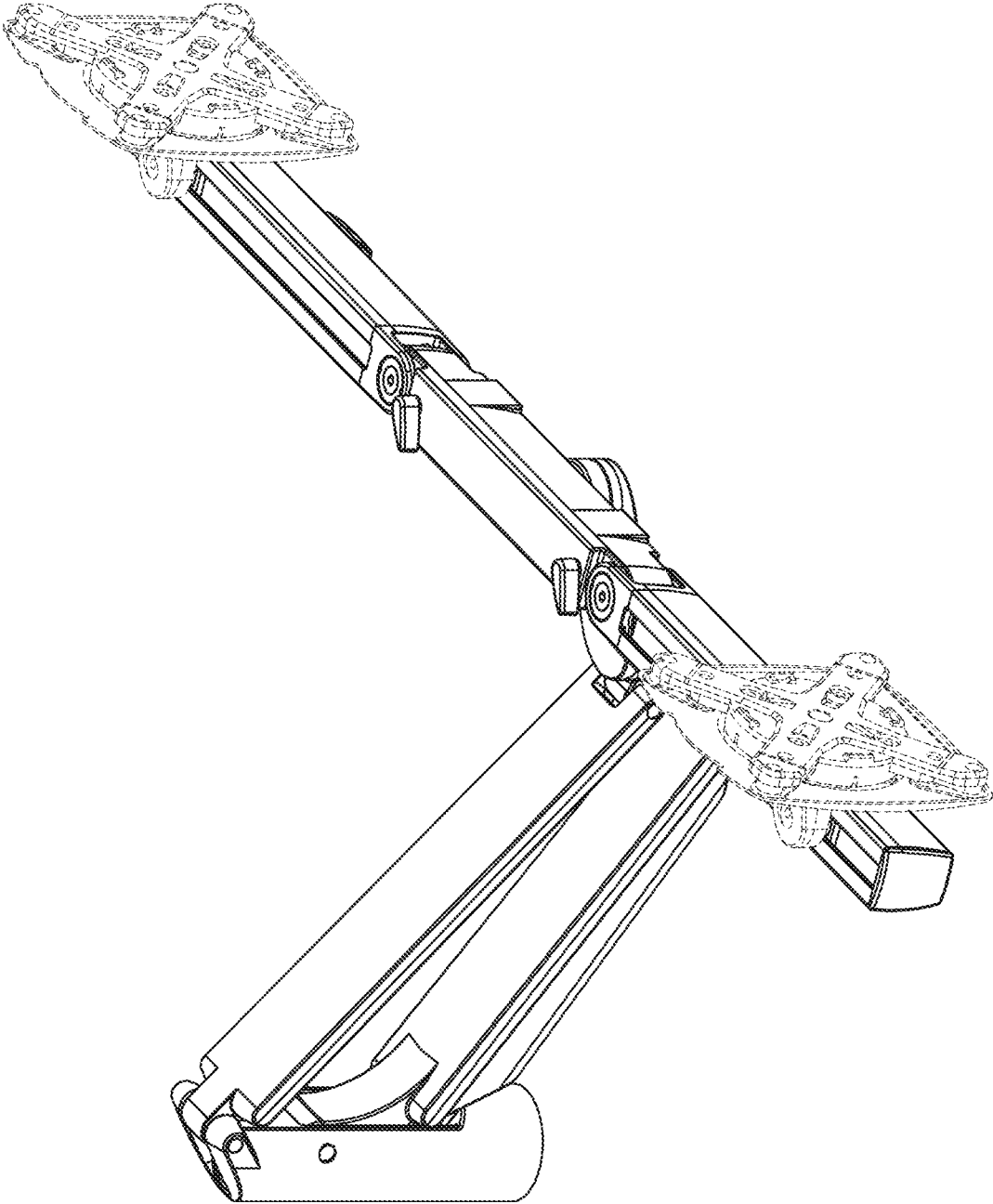


FIG. 2.2

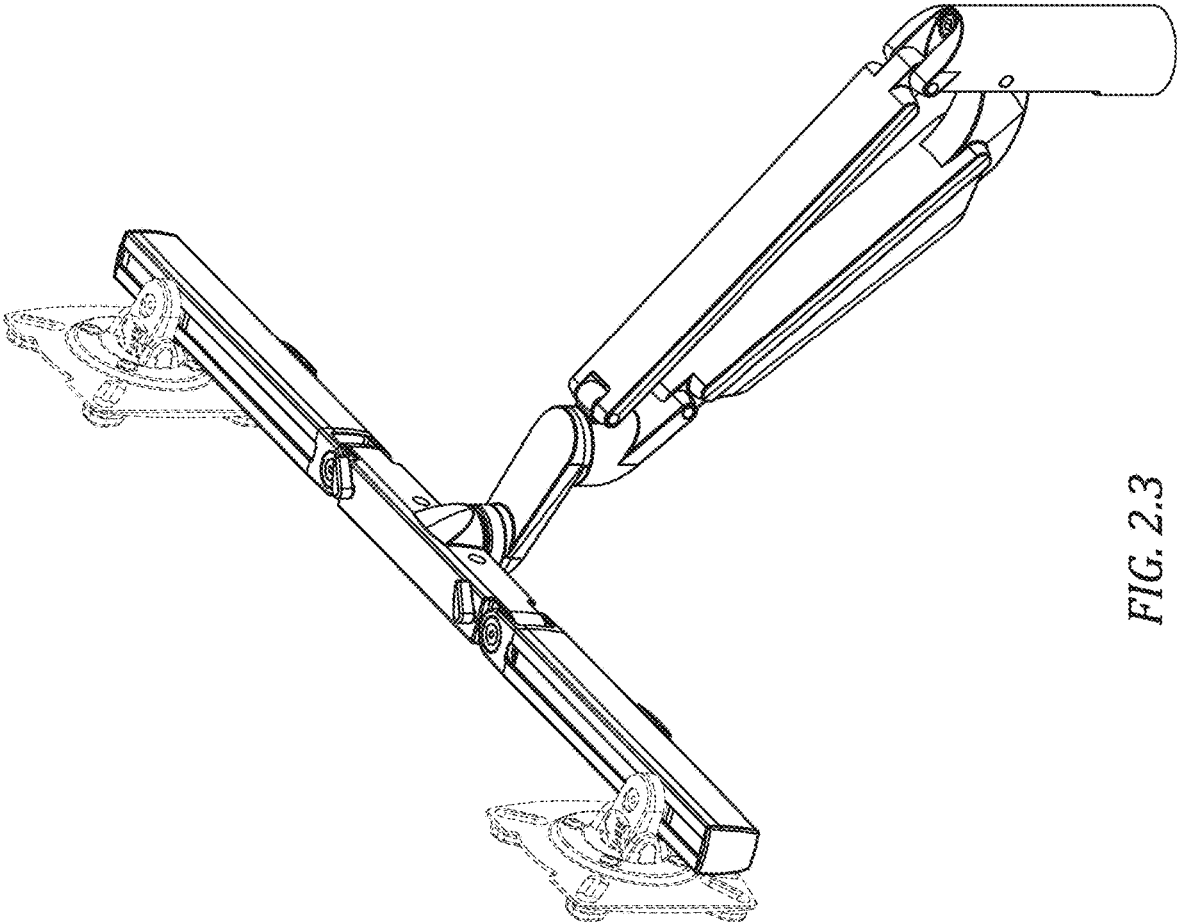


FIG. 2.3

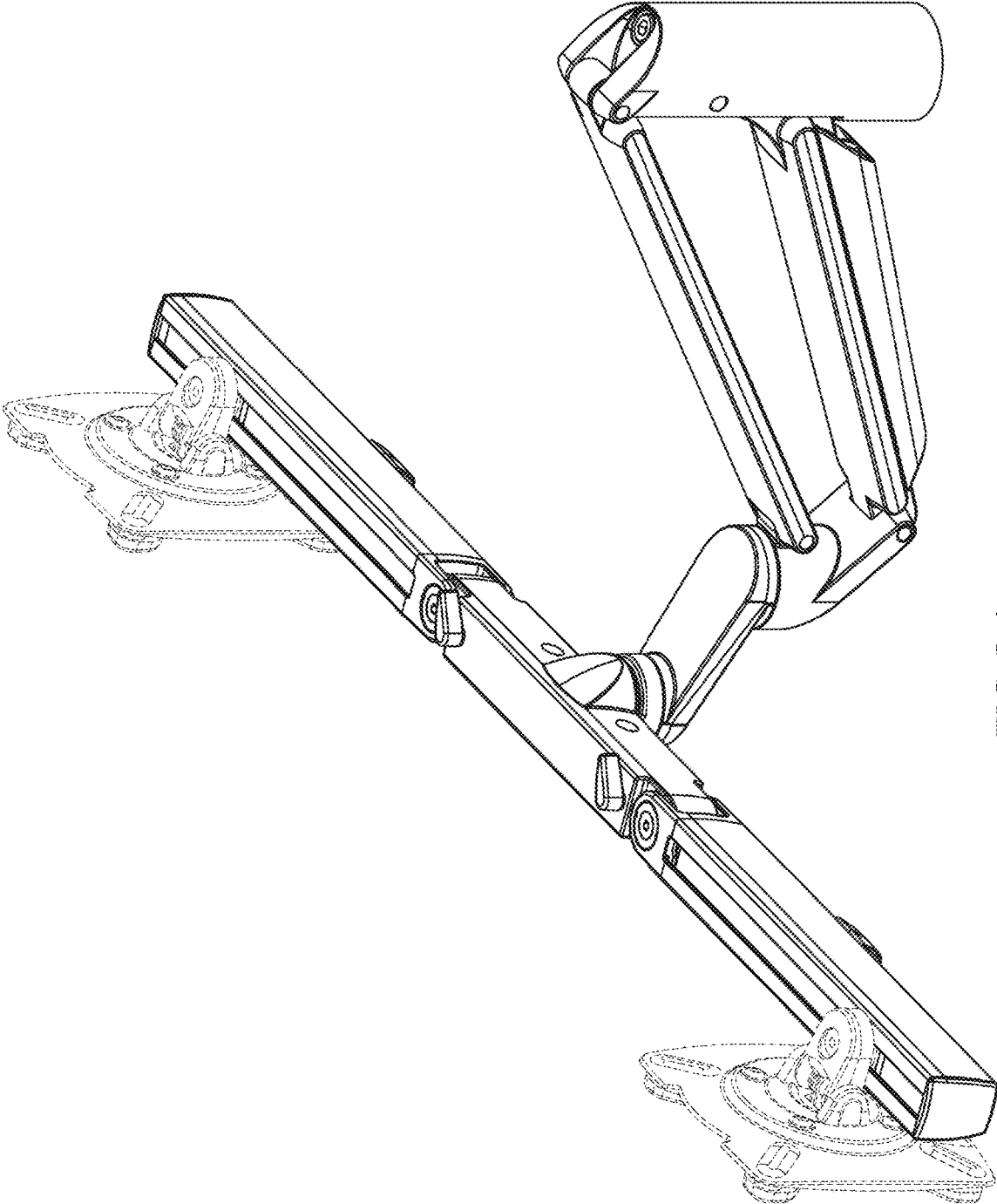


FIG. 2.4

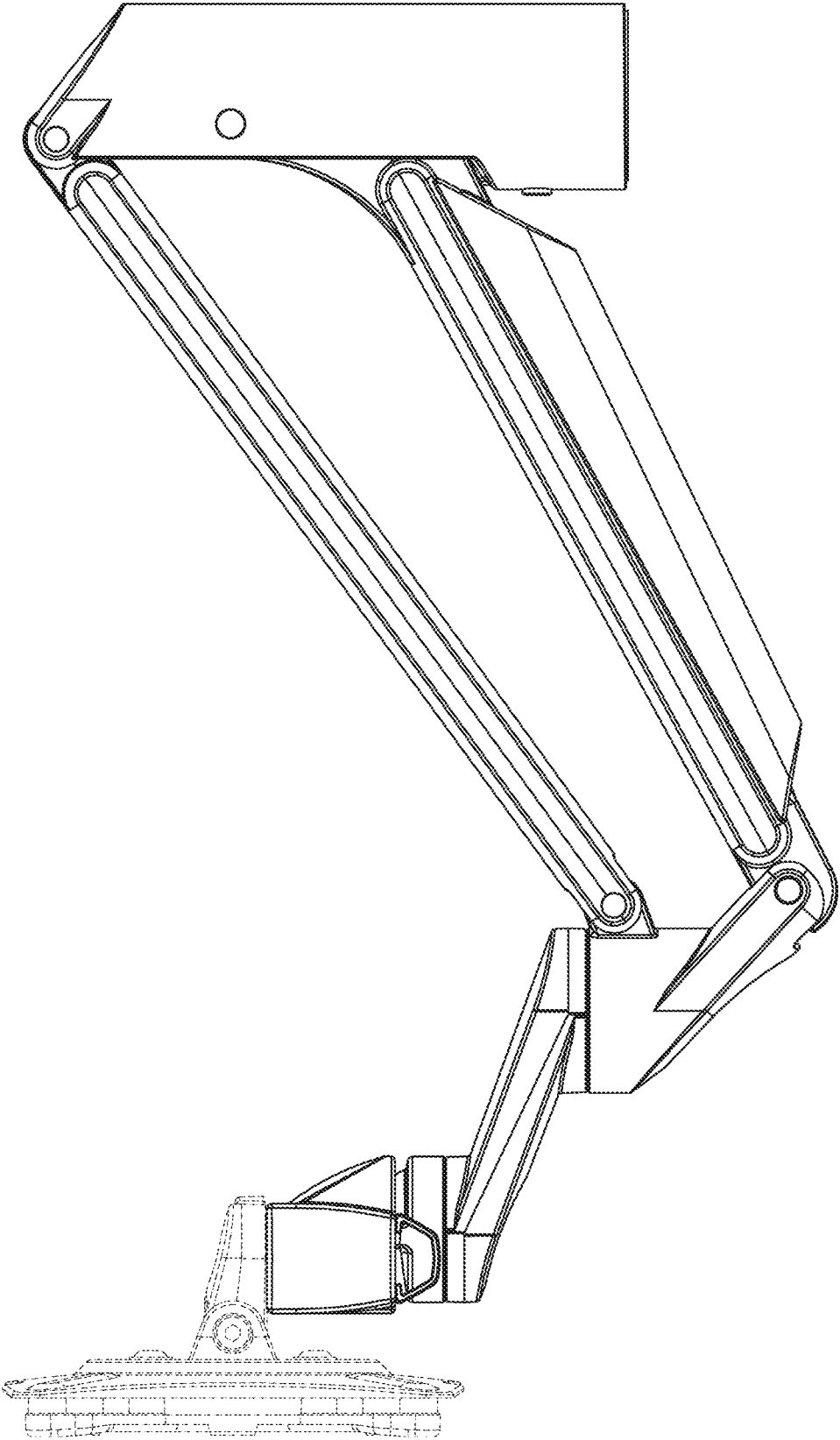


FIG. 2.5

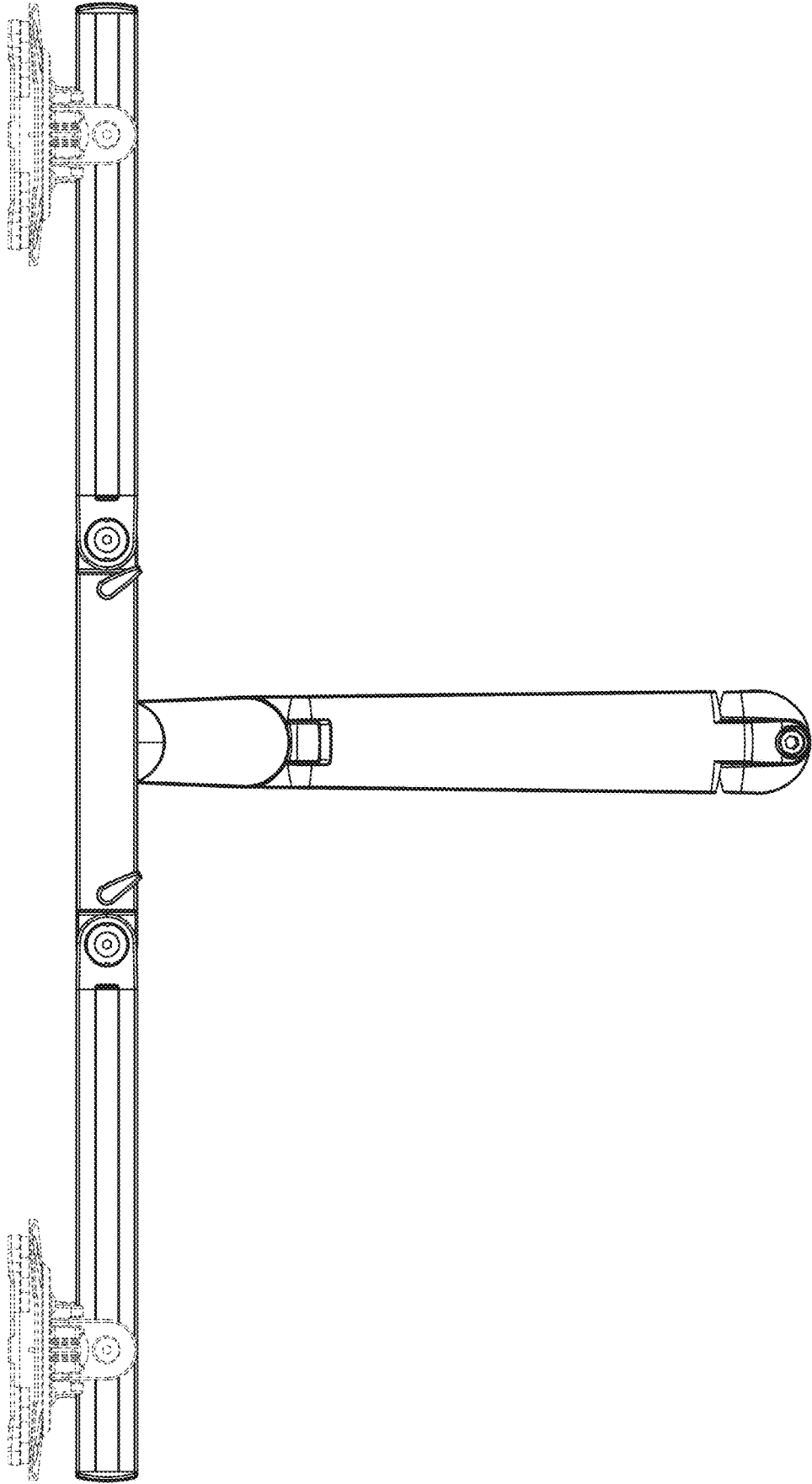


FIG. 2.6

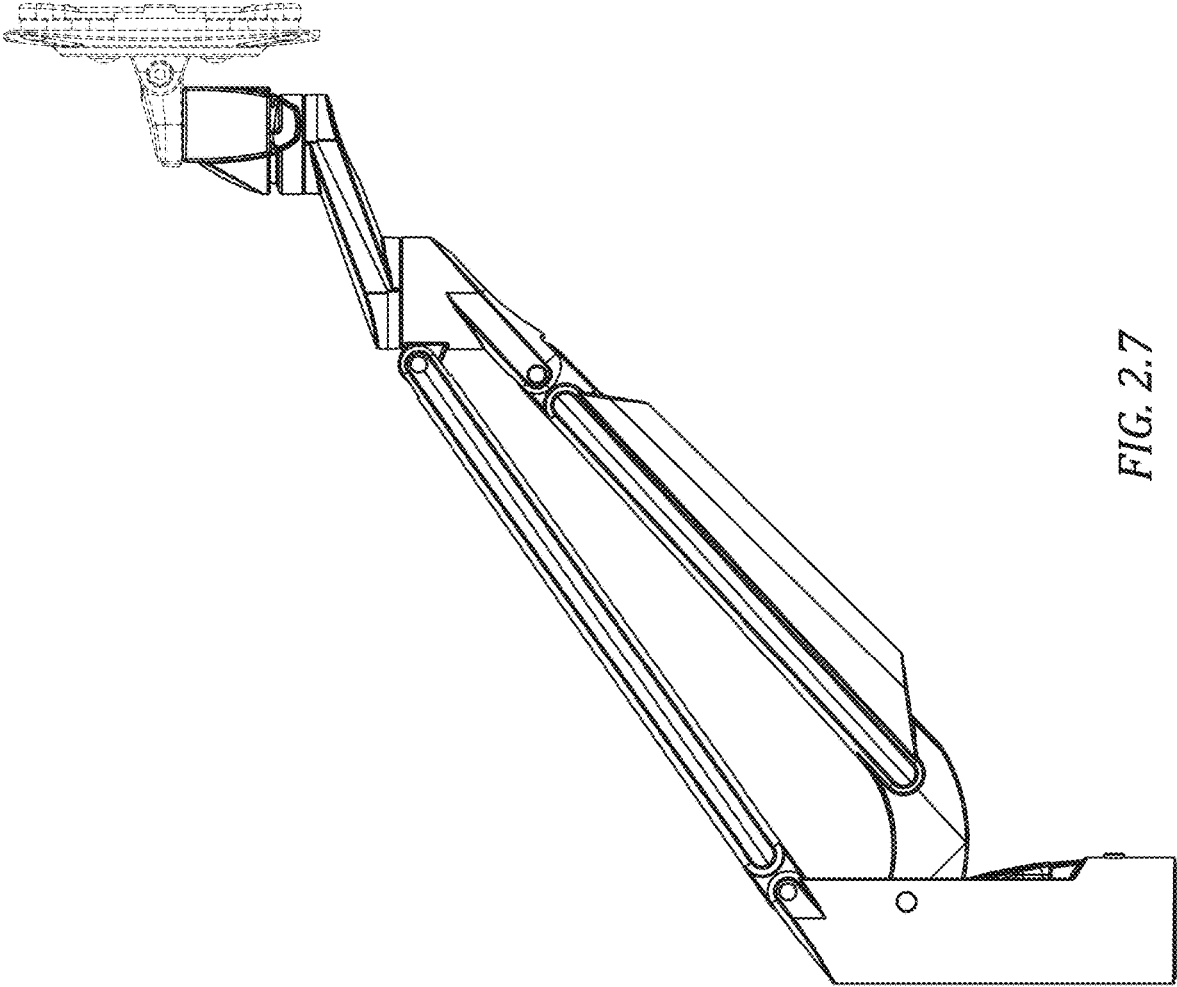


FIG. 2.7

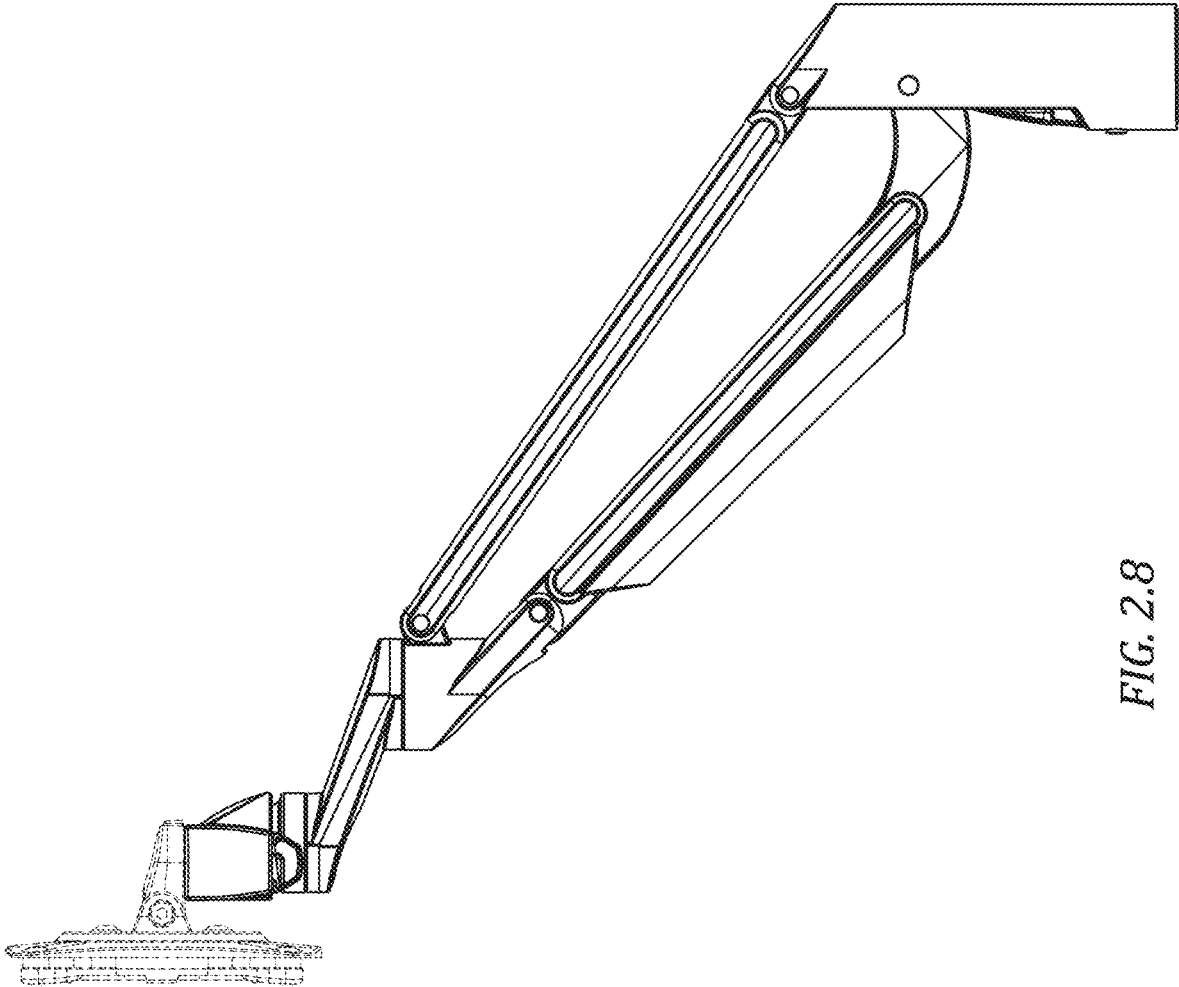


FIG. 2.8

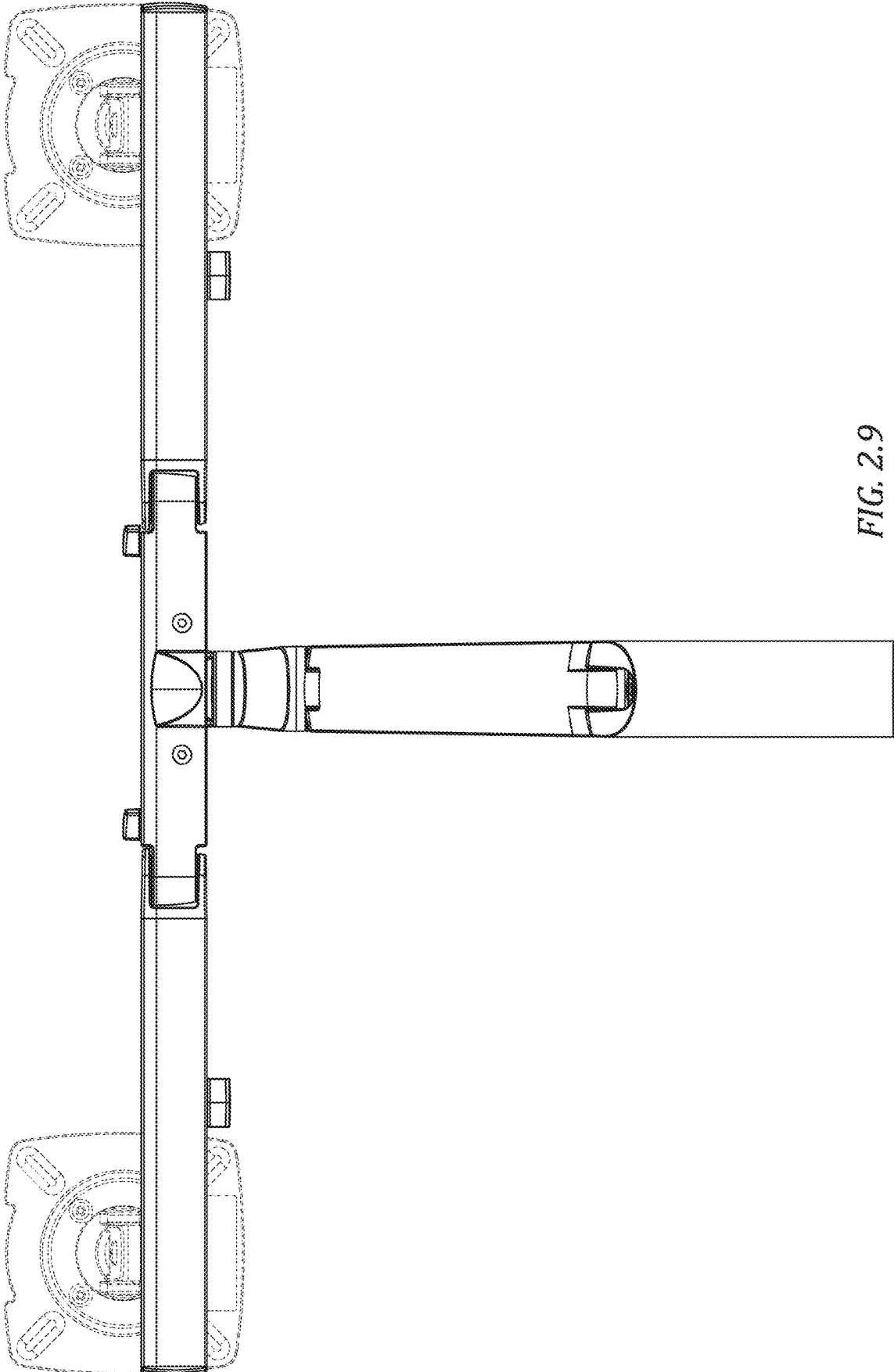


FIG. 2.9

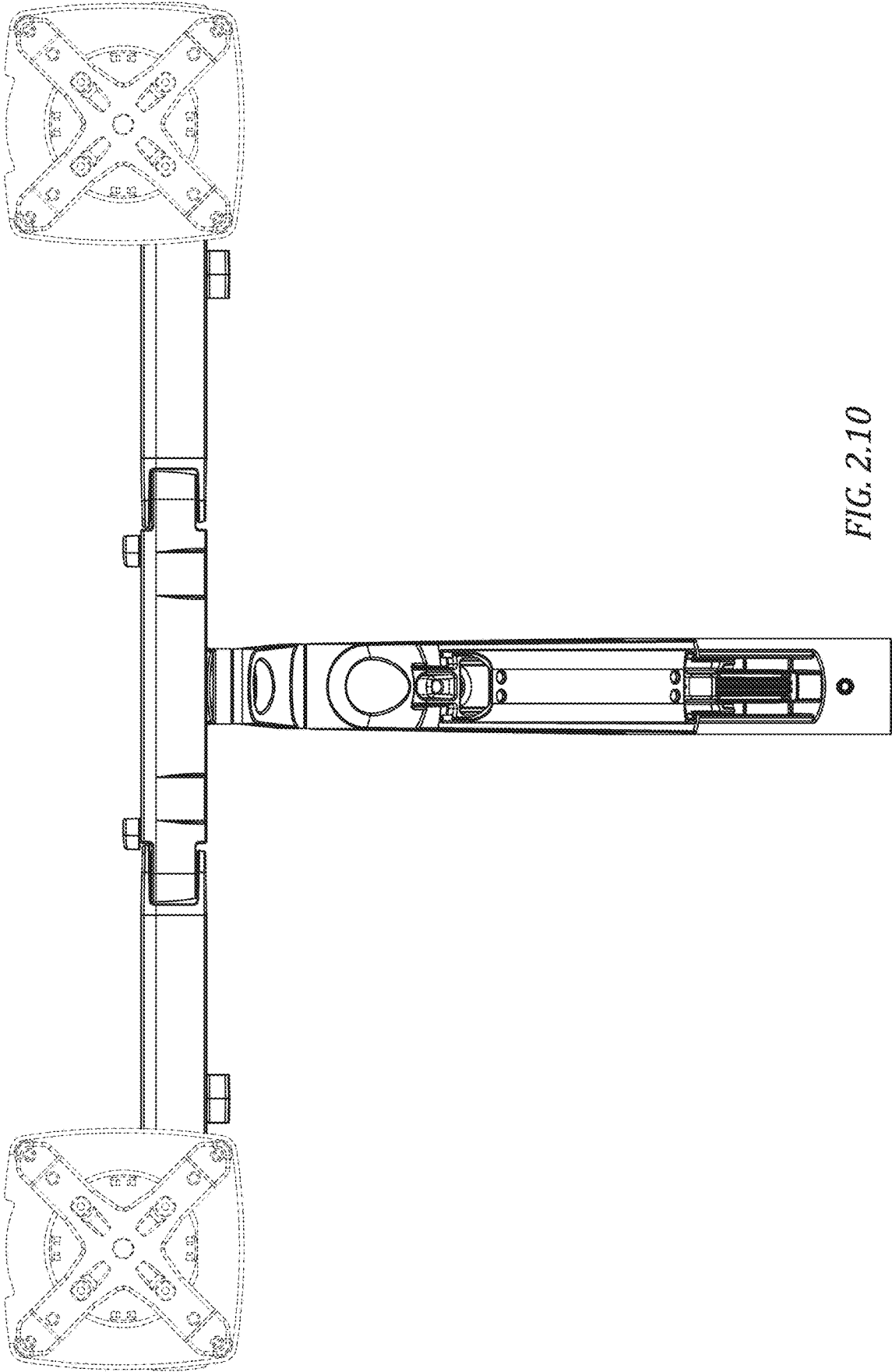


FIG. 2.10