



US00D368114S

United States Patent [19] Hyvonen

[11] **Patent Number:** Des. 368,114

[45] **Date of Patent:** **Mar. 19, 1996

[54] **BASEBALL BAT PEN**

[76] **Inventor:** **Urho K. Hyvonen**, 21 SE. 8th St.,
Pompano Beach, Fla. 33060

[**] **Term:** **14 Years**

[21] **Appl. No.:** **43,435**

[22] **Filed:** **Sep. 5, 1995**

[52] **U.S. Cl.** **D19/42; D19/51; D19/46;**
D19/57

[58] **Field of Search** **D19/35, 36, 41,**
D19/42, 43, 51, 53, 58, 81, 85; 21/211;
401/8, 88, 52, 195, 243, 247, 202, 209,
99

D. 155,152 9/1949 Greenstein et al. D19/82
D. 160,309 10/1950 Fainberg et al. D19/42
D. 332,806 1/1993 Blimline D19/42 X
D. 342,277 12/1993 Yoshinaga et al. D19/46 X

Primary Examiner—Martie Thompson
Attorney, Agent, or Firm—Robert J. Van Der Wall

[57] CLAIM

The ornamental design for a baseball bat pen, as shown and described.

DESCRIPTION

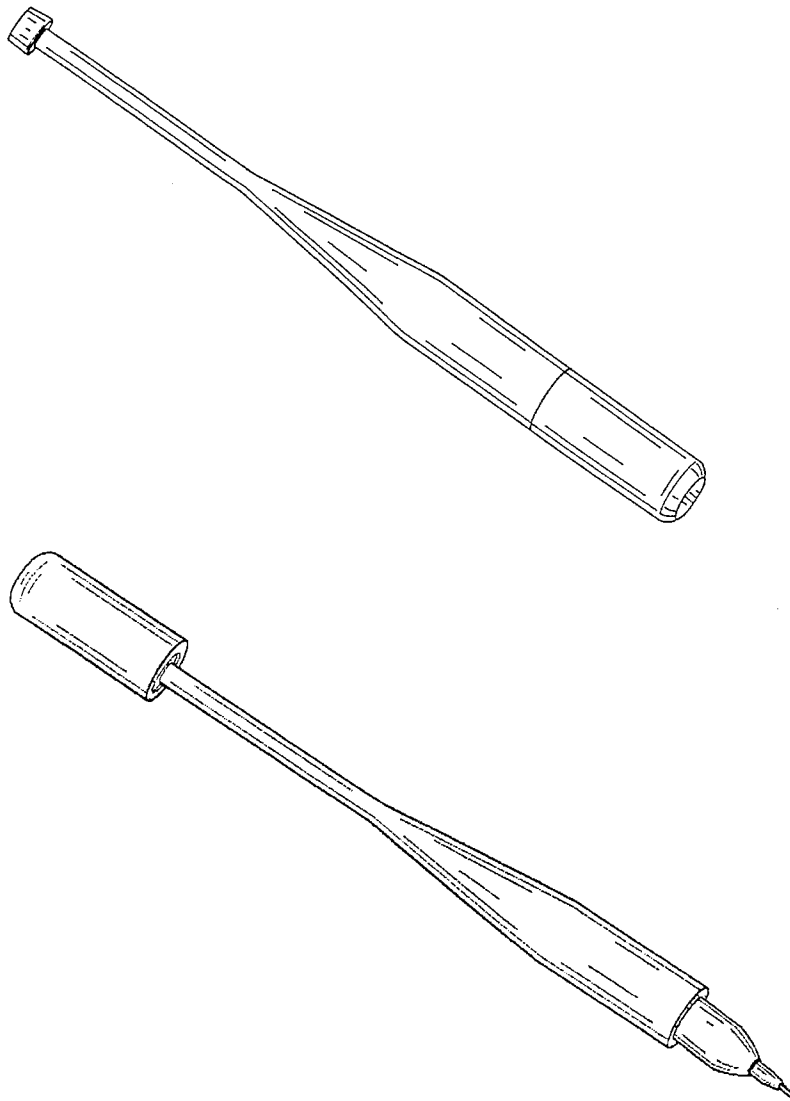
FIG. 1 is a perspective view of a baseball bat pen showing my new design in its closed configuration;
FIG. 2 is a top view thereof;
FIG. 3 is a left end view thereof;
FIG. 4 is a right end view thereof; and,
FIG. 5 is a perspective view of a baseball bat pen showing my new design in its open configuration.

[56] **References Cited**

U.S. PATENT DOCUMENTS

D. 47,473 6/1915 Reitter D19/42
D. 47,852 9/1915 Kulow D19/42
D. 48,227 11/1915 Kulow D19/42

1 Claim, 2 Drawing Sheets



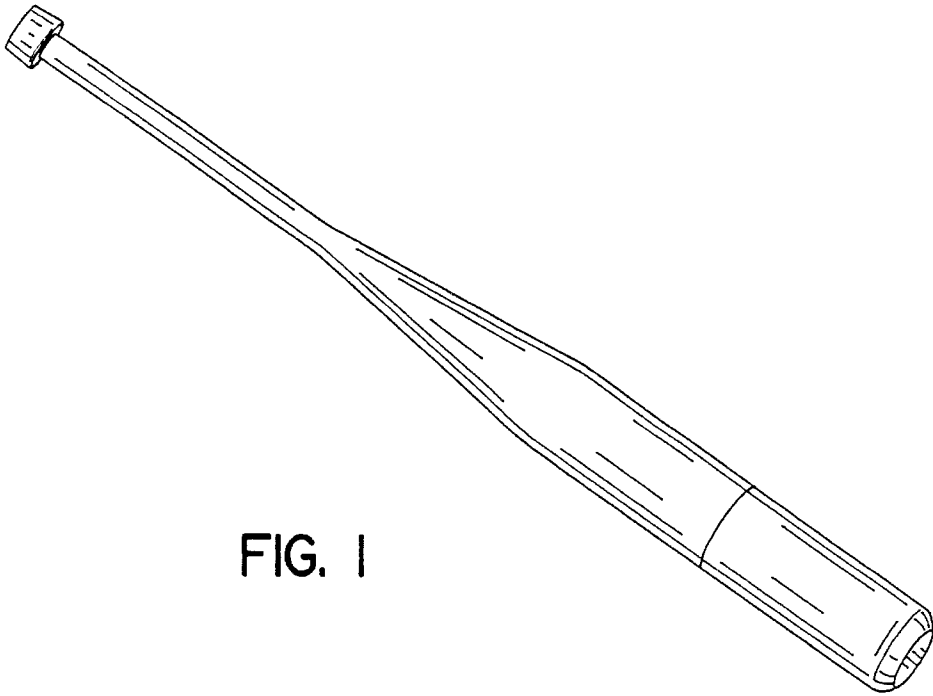


FIG. 1

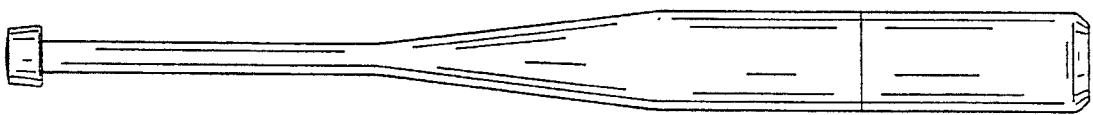


FIG. 2



FIG. 3



FIG. 4

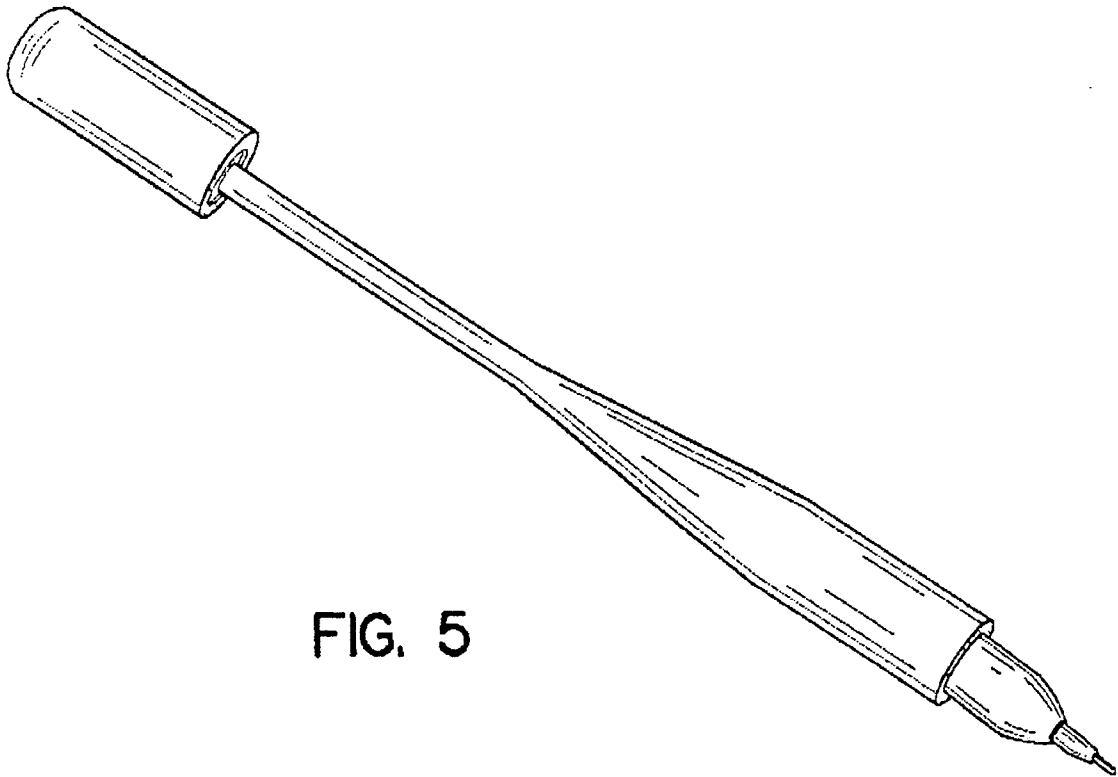


FIG. 5