



US00D657337S

(12) **United States Design Patent**
Tylor

(10) **Patent No.:** **US D657,337 S**

(45) **Date of Patent:** **** Apr. 10, 2012**

(54) **MULTISCREEN CELLULAR TELEPHONE**

(76) Inventor: **Timothy E. Tylor**, Samson, AL (US)

(**) Term: **14 Years**

(21) Appl. No.: **29/397,125**

(22) Filed: **Jul. 12, 2011**

(51) **LOC (9) Cl.** **14-03**

(52) **U.S. Cl.** **D14/138 AB**

(58) **Field of Classification Search** D14/138 AB,
D14/138 AA, 138 AC, 138 R, 138 AD, 496,
D14/341, 345, 346, 203.1, 203.4, 203.7, 218,
D14/137, 144; D13/184; 455/575.1, 575.3,
455/575.4, 556.2; 379/433.01, 433.04, 433.11,
379/433.12, 433.13; D21/517, 330
See application file for complete search history.

(56) **References Cited**

U.S. PATENT DOCUMENTS

D321,865	S	*	11/1991	Derocher	D14/345
6,791,597	B2	*	9/2004	Ando et al.	348/14.02
D512,975	S	*	12/2005	Tsai et al.	D14/138 AB
7,034,799	B2		4/2006	Lee		
D520,976	S	*	5/2006	LaDelfa	D14/138 AB
D520,980	S	*	5/2006	Taniyama et al.	D14/138 AB
7,165,865	B2		1/2007	Cho		
7,224,343	B2	*	5/2007	Rekimoto	345/156
D563,365	S	*	3/2008	Kim	D14/138 AB
D563,924	S	*	3/2008	Arnold et al.	D14/138 AB
D571,345	S	*	6/2008	Kim et al.	D14/138 AB
D571,773	S	*	6/2008	Kim et al.	D14/138 AB
D572,690	S	*	7/2008	Kim et al.	D14/138 AB
D584,276	S	*	1/2009	Kim et al.	D14/138 AB
D585,408	S	*	1/2009	Kim et al.	D14/138 AB
D587,232	S	*	2/2009	Kim et al.	D14/138 AB
D588,086	S	*	3/2009	Kim et al.	D14/138 AB
D603,828	S	*	11/2009	Park et al.	D14/138 AB
D624,040	S	*	9/2010	Kim et al.	D14/138 AB
D630,180	S	*	1/2011	Kim et al.	D14/138 AB
D635,116	S	*	3/2011	Lee et al.	D14/138 AB
7,925,314	B2	*	4/2011	Liao et al.	455/575.1
D647,871	S	*	11/2011	Han	D14/138 AB

2002/0022503	A1		2/2002	Lee		
2006/0194613	A1	*	8/2006	Masuda et al.	455/556.1
2008/0268901	A1		10/2008	Miramontes		

OTHER PUBLICATIONS

Motorola MT 810lx telephone, announced Nov. 2010, [online], [site visited Nov. 1, 2011]. Available from Internet, <URL: <http://www.gsmarena.com>>.*

Samsung R260 Chrono telephone, announced May 2011, [online], [site visited Nov. 1, 2011]. Available from Internet, <URL: <http://www.gsmarena.com>>.*

LG G7020 telephone, announced 4th quarter 2002, [online], [site visited Nov. 1, 2011]. Available from Internet, <URL: <http://www.gsmarena.com>>.*

Philips Xenium X600 telephone, announced Apr. 2009, [online], [site visited Nov. 1, 2011]. Available from Internet, <URL: <http://www.gsmarena.com>>.*

Motorola XT 806 telephone, announced Sep. 2010, [online], [site visited Nov. 1, 2011]. Available from Internet, <URL: <http://www.gsmarena.com>>.*

* cited by examiner

Primary Examiner — Jeffrey D Asch

(74) *Attorney, Agent, or Firm* — Crossley Patent Law

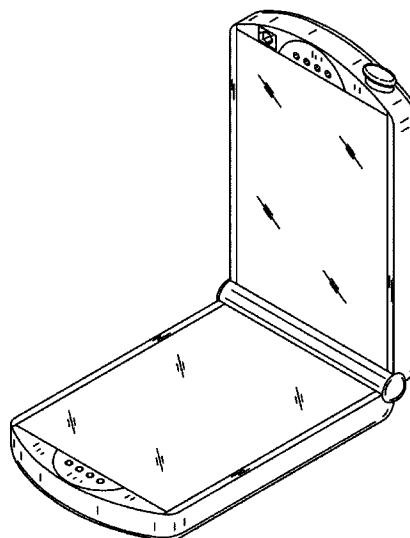
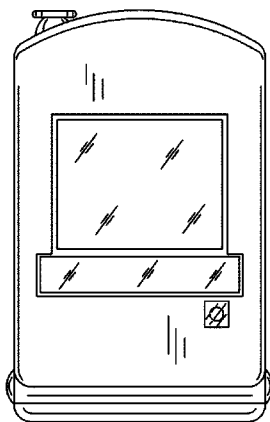
(57) **CLAIM**

The ornamental design for a multiscreen cellular telephone, as shown and described.

DESCRIPTION

FIG. 1 is a rear elevation view of a multiscreen cellular telephone showing my new design;
FIG. 2 is a front elevation view thereof;
FIG. 3 is a right elevation view thereof;
FIG. 4 is a left elevation view thereof;
FIG. 5 is a top plan view thereof;
FIG. 6 is a bottom plan view thereof; and,
FIG. 7 is an isometric view thereof.

1 Claim, 5 Drawing Sheets



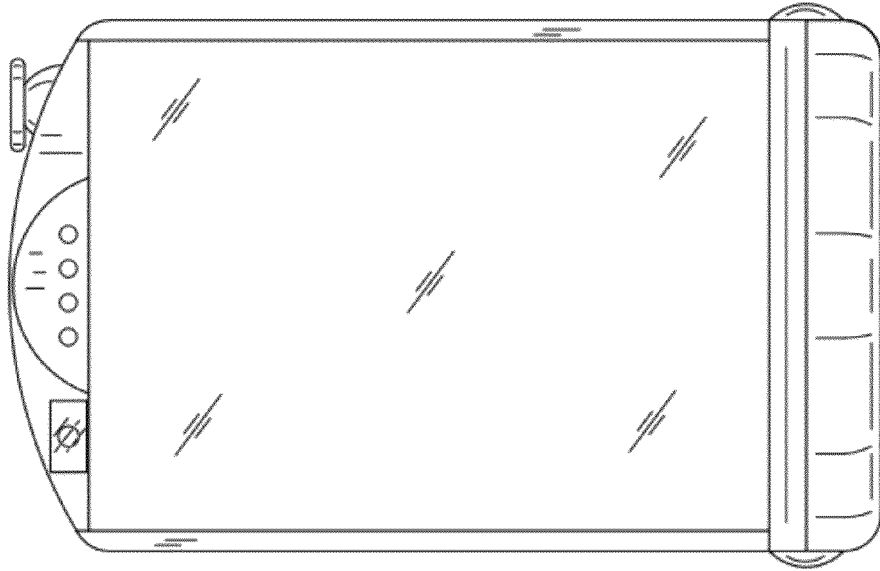


FIG. 2

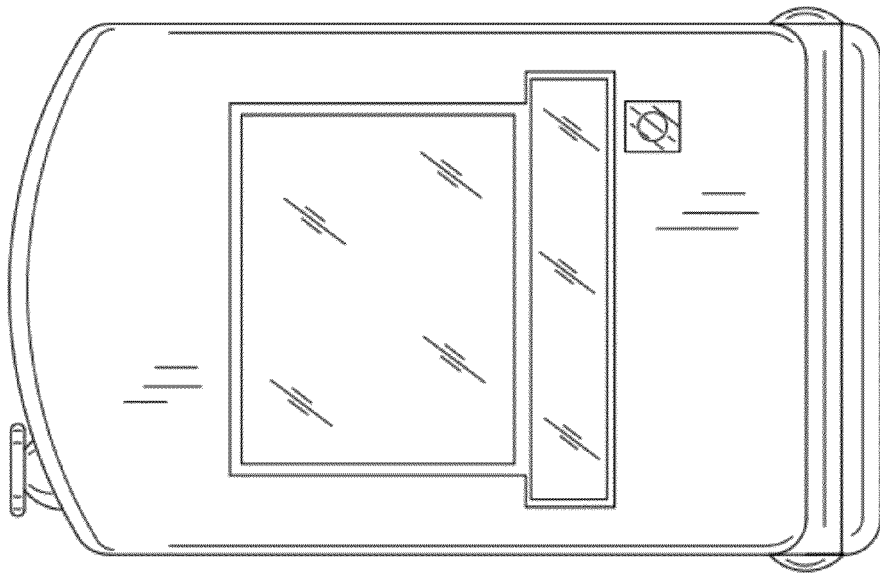


FIG. 1

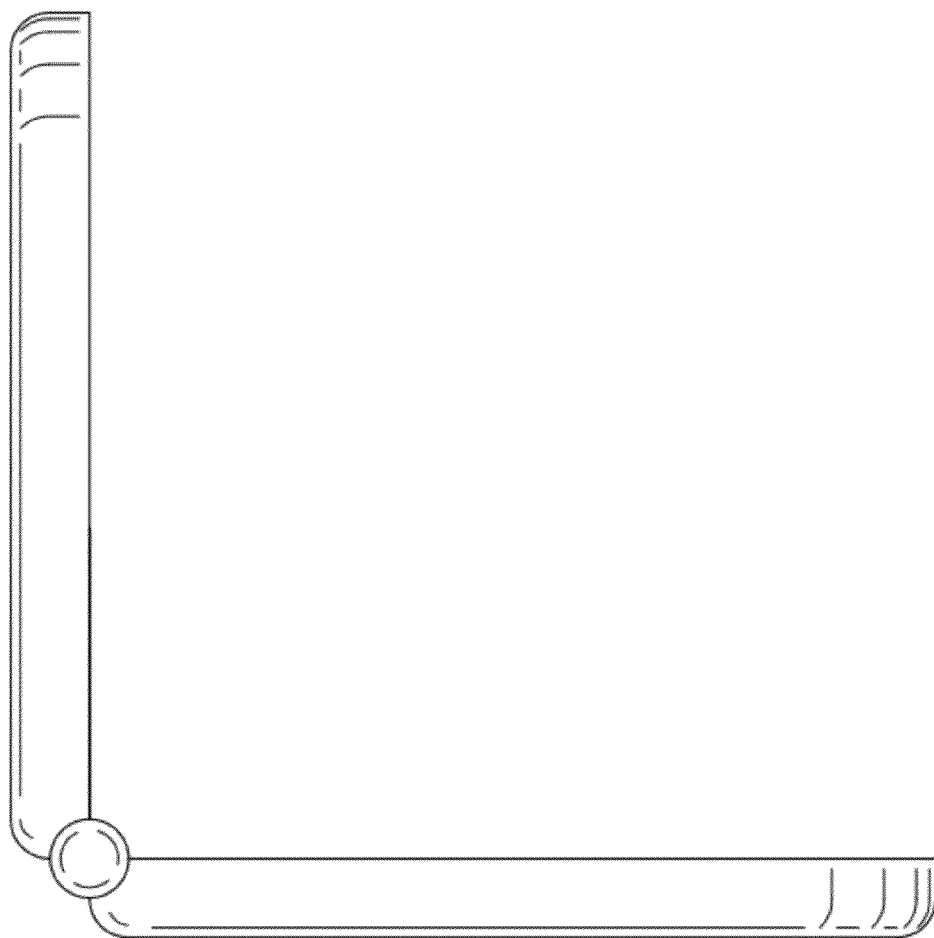


FIG. 3

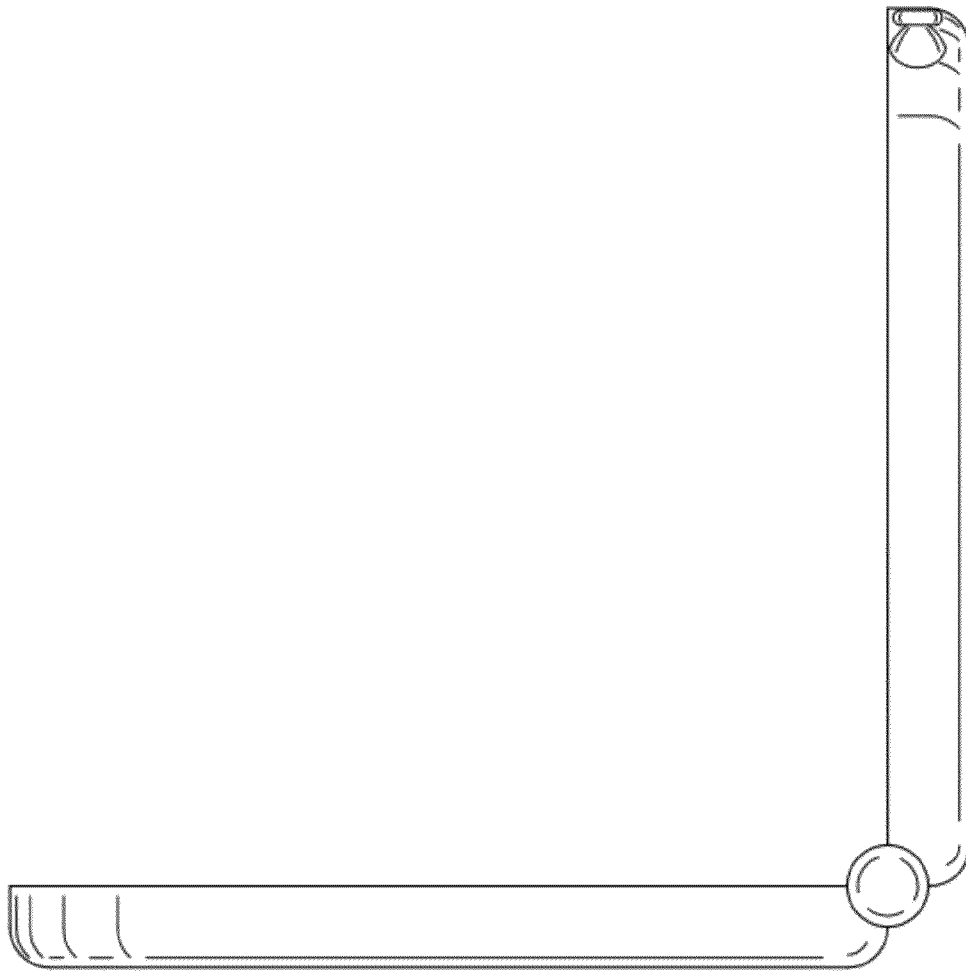


FIG. 4

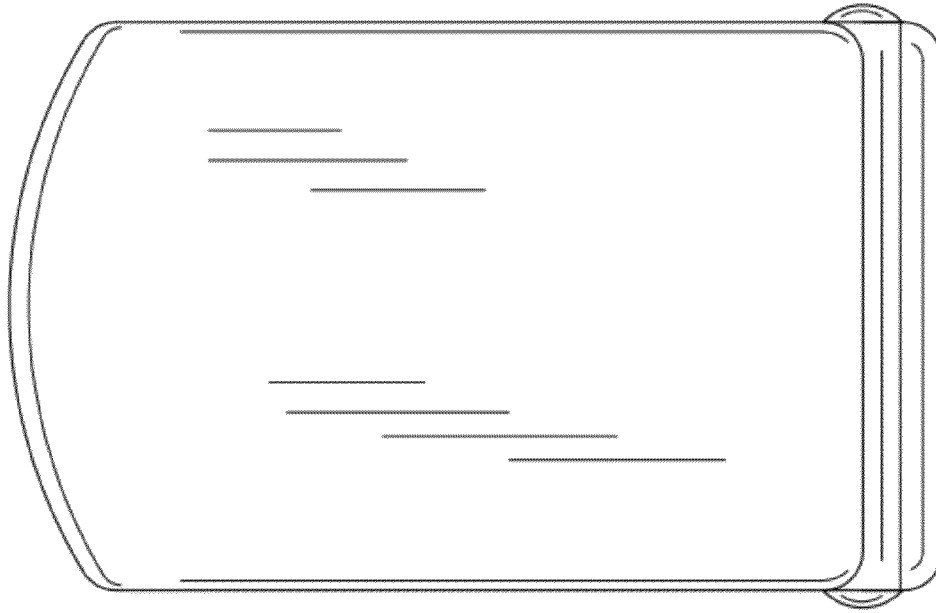


FIG. 6

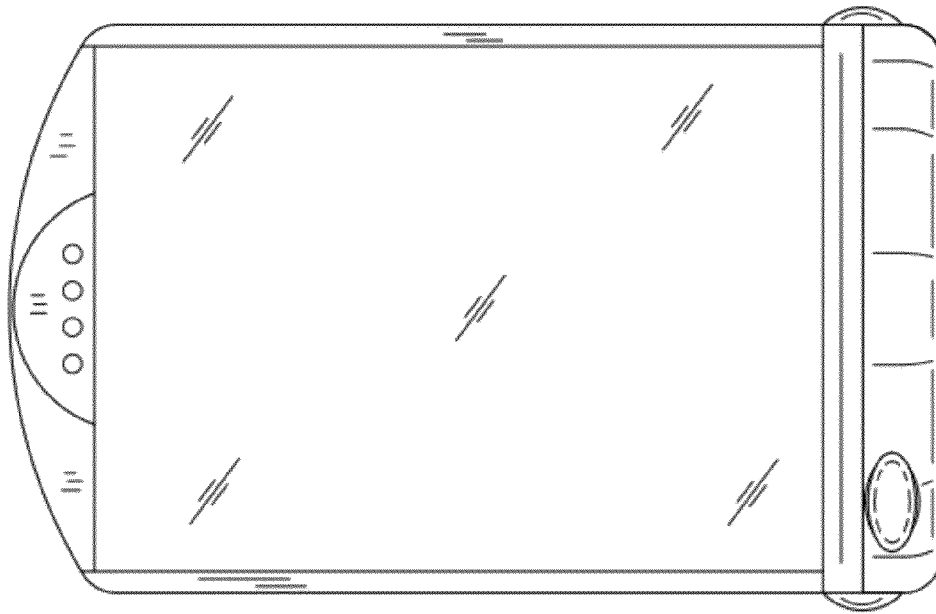


FIG. 5

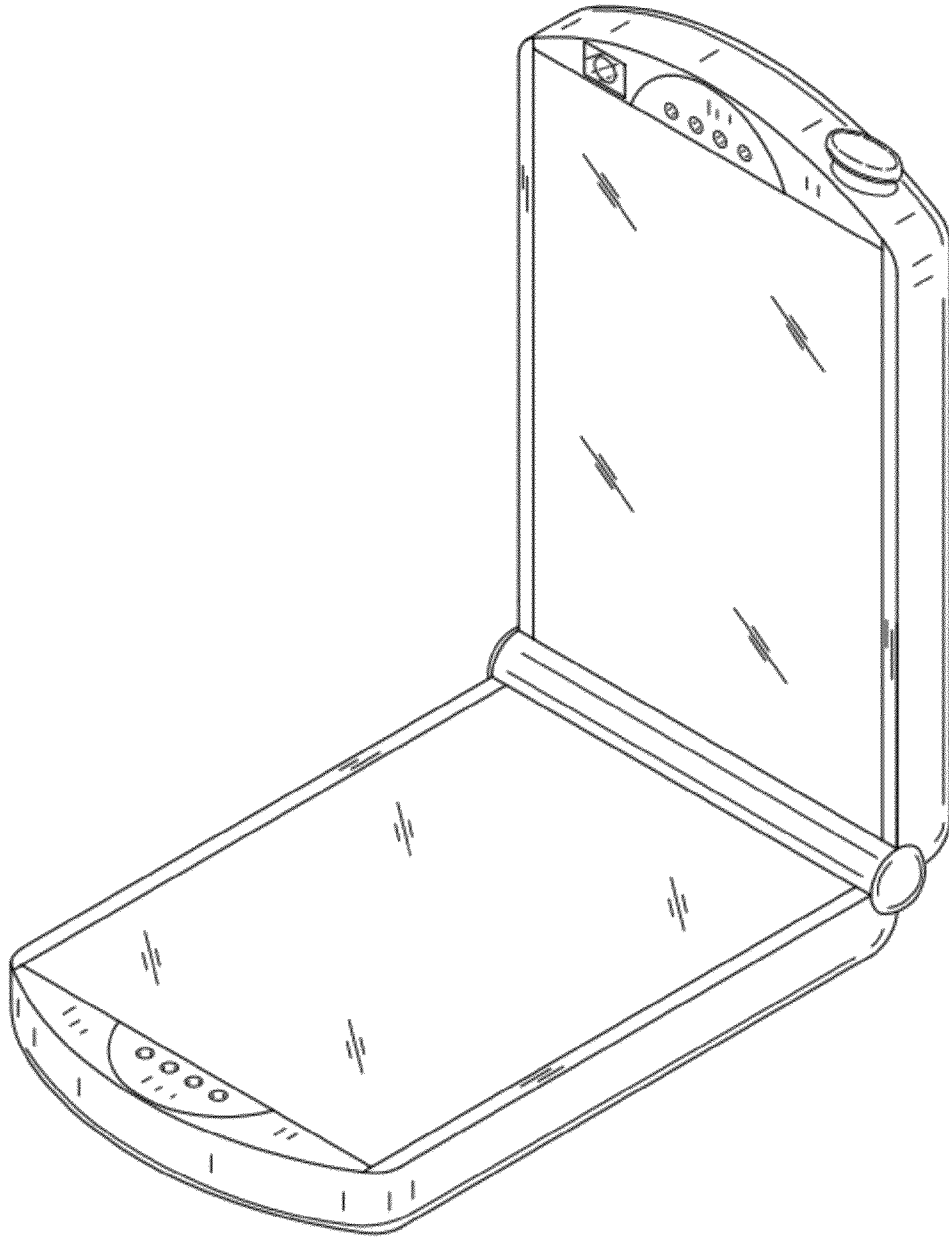


FIG. 7