



US00D949648S

(12) **United States Design Patent**  
**Song**

(10) **Patent No.:** **US D949,648 S**

(45) **Date of Patent:** **\*\* Apr. 26, 2022**

(54) **PLANT ROOTING DEVICE**

(71) Applicant: **Yaqi Song**, Hefei (CN)

(72) Inventor: **Yaqi Song**, Hefei (CN)

(\*\*) Term: **15 Years**

(21) Appl. No.: **29/746,163**

(22) Filed: **Aug. 12, 2020**

(51) **LOC (13) Cl.** ..... **08-01**

(52) **U.S. Cl.**  
USPC ..... **D8/1**

(58) **Field of Classification Search**  
USPC ..... D8/1, 10, 71-74, 394-396; D3/294;  
D9/519; D7/354, 674, 672, 677  
CPC . A23G 9/221; A23G 9/22; A23G 9/44; A23G  
9/503

See application file for complete search history.

(56) **References Cited**

**U.S. PATENT DOCUMENTS**

2,392,561	A *	1/1946	Weber, Jr.	.....	C03B 9/33 249/58
D179,230	S *	11/1956	Williamson	.....	D7/677
D231,823	S *	6/1974	Sharp	.....	D23/207
4,244,470	A *	1/1981	Burnham	.....	A23G 9/503 206/525
5,618,463	A *	4/1997	Rindler	.....	A23G 9/221 249/91
D384,960	S *	10/1997	Kistler	.....	D15/135
D428,300	S *	7/2000	Dadez	.....	D7/354

D456,225	S	4/2002	Kohn et al.	.....	
D464,571	S *	10/2002	Hill	.....	D9/519
D535,348	S *	1/2007	Sammann	.....	D21/398
7,963,500	B1 *	6/2011	Holiday	.....	B44C 5/00 249/168
D661,540	S *	6/2012	Facey	.....	D7/354
D684,019	S *	6/2013	Facey	.....	D7/674
D691,003	S	10/2013	Mahoney et al.	.....	
D693,625	S *	11/2013	Facey	.....	D7/354
D899,470	S *	10/2020	Liu	.....	D15/90

\* cited by examiner

*Primary Examiner* — Calvin E Vansant

(74) *Attorney, Agent, or Firm* — Runit Ranjit Kanakia

(57) **CLAIM**

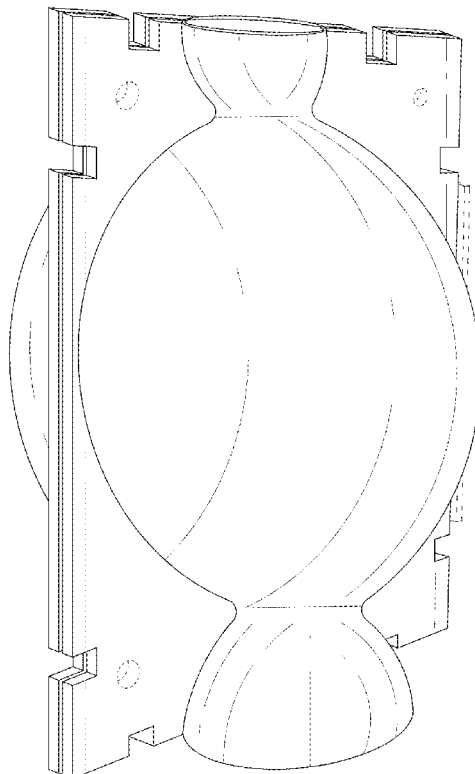
I claim the ornamental design for a plant rooting device, as shown and described.

**DESCRIPTION**

FIG. 1 is a Perspective view of a plant rooting device showing my new design;  
FIG. 2 is a Front view thereof;  
FIG. 3 is a Back view thereof;  
FIG. 4 is a Right-side view thereof;  
FIG. 5 is a Left-side view thereof;  
FIG. 6 is a Top view thereof;  
FIG. 7 is a Bottom view thereof; and,  
FIG. 8 is a front view of a plant rooting device showing in open position.

The broken lines are for the purpose of illustrating portions of the article that form no part of the claim.

**1 Claim, 8 Drawing Sheets**



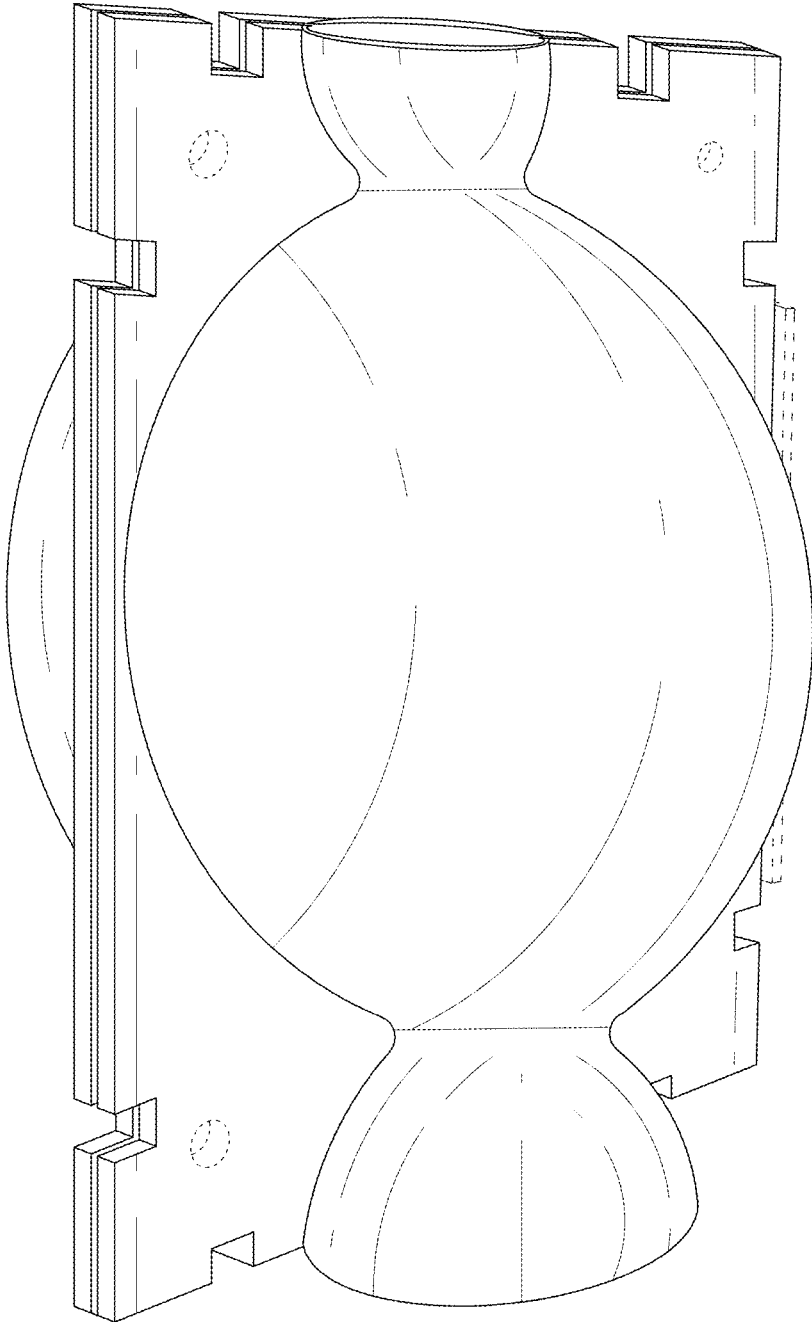


FIG. 1

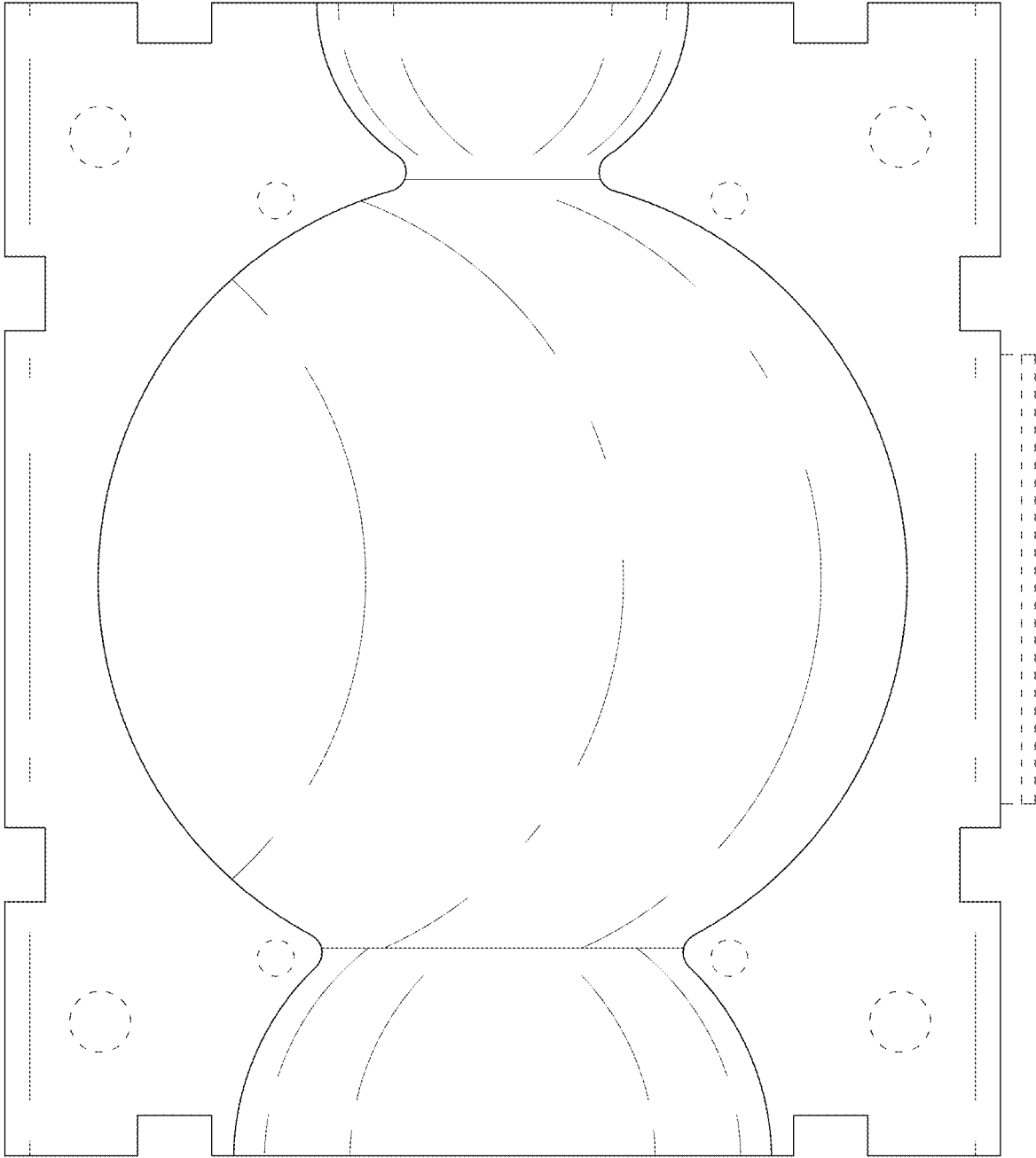


FIG. 2

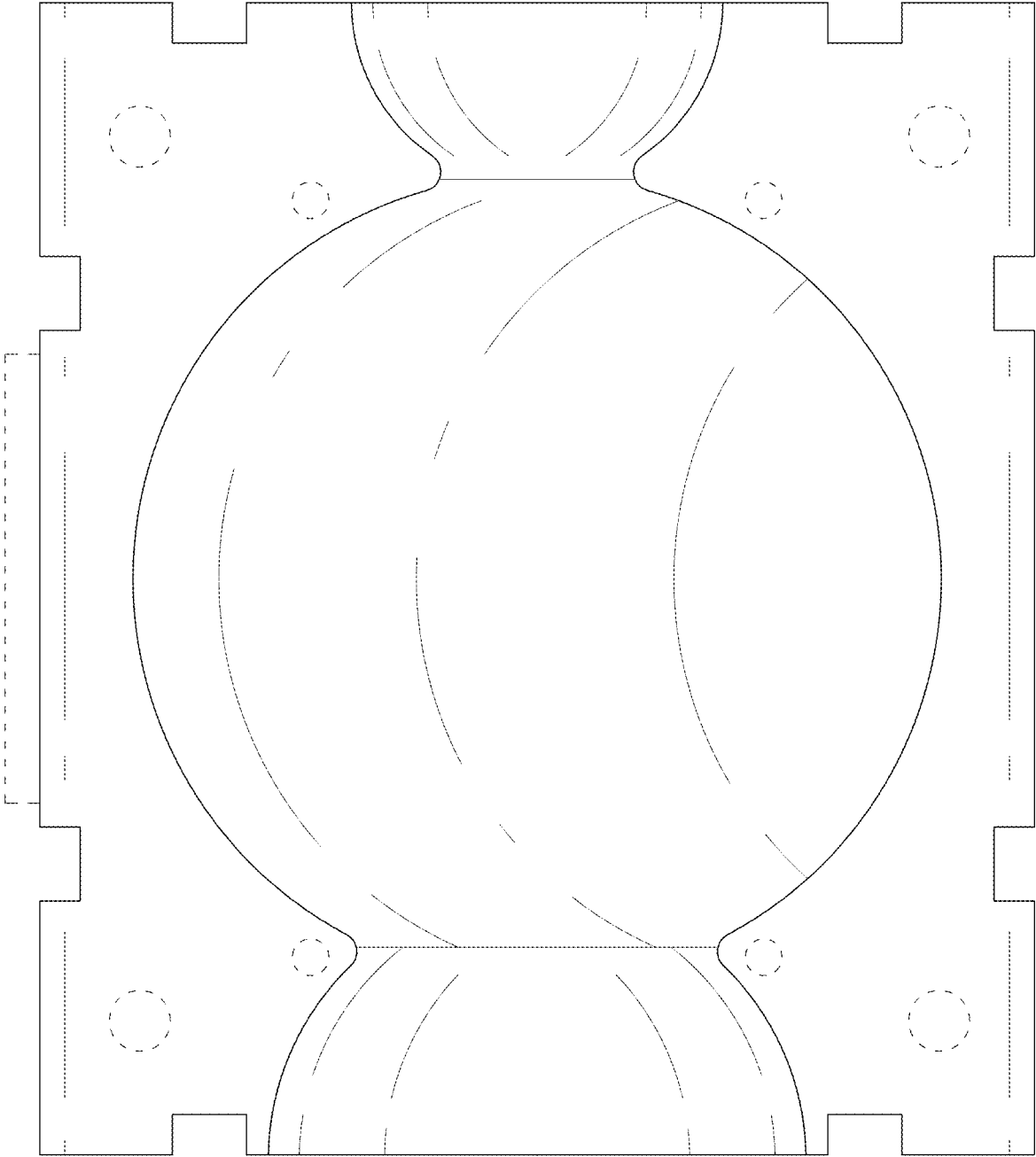


FIG. 3

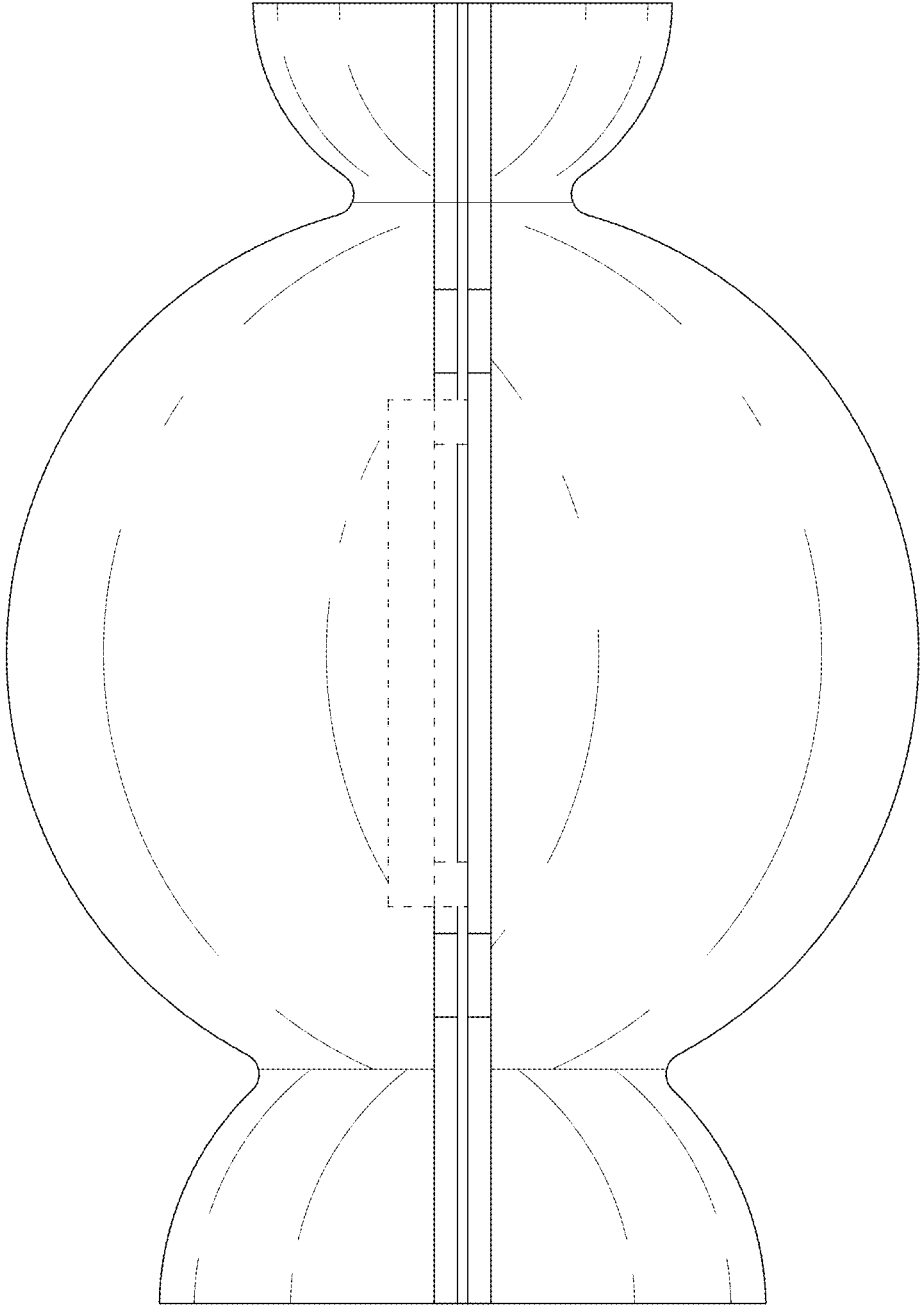


FIG. 4

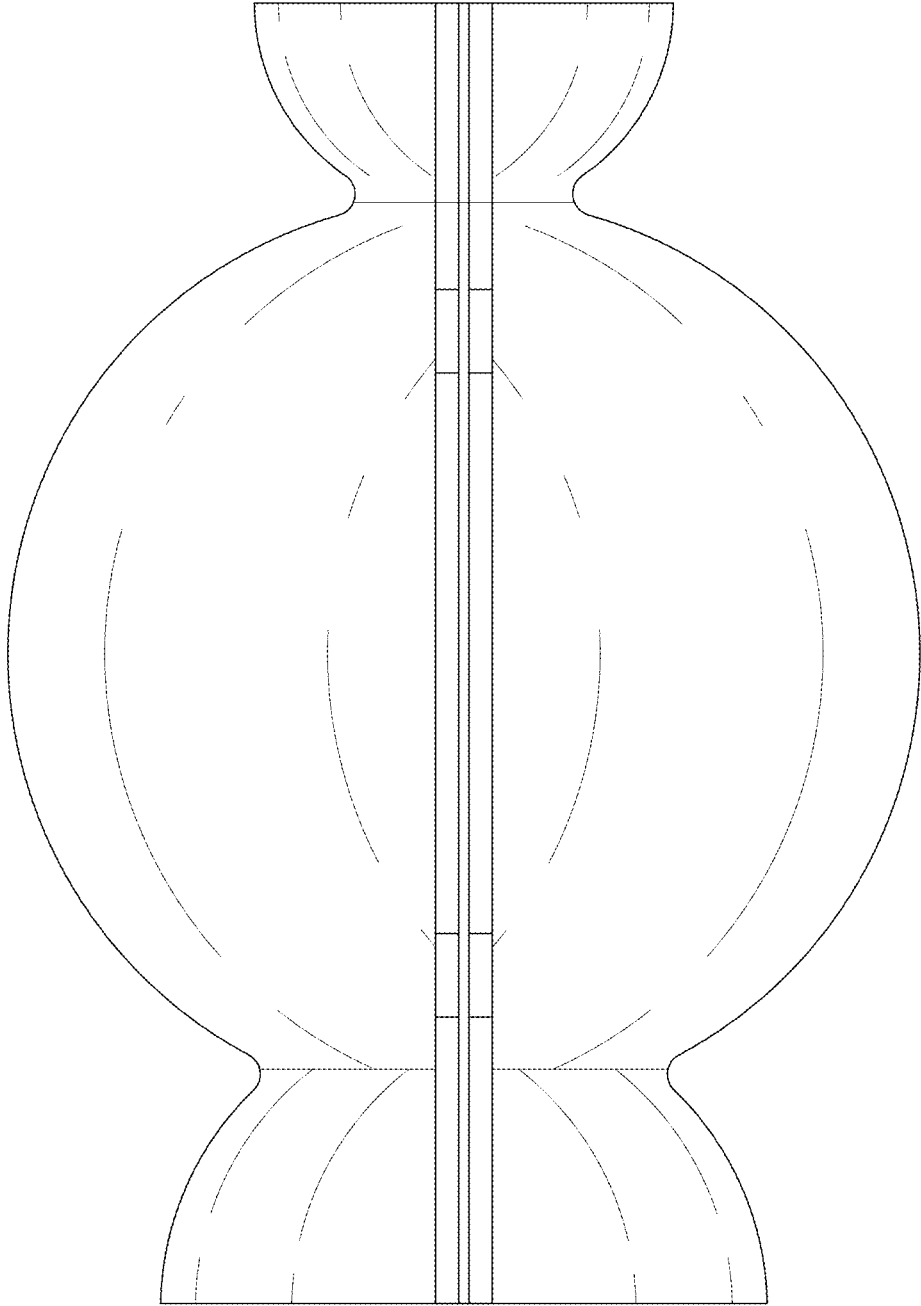


FIG. 5

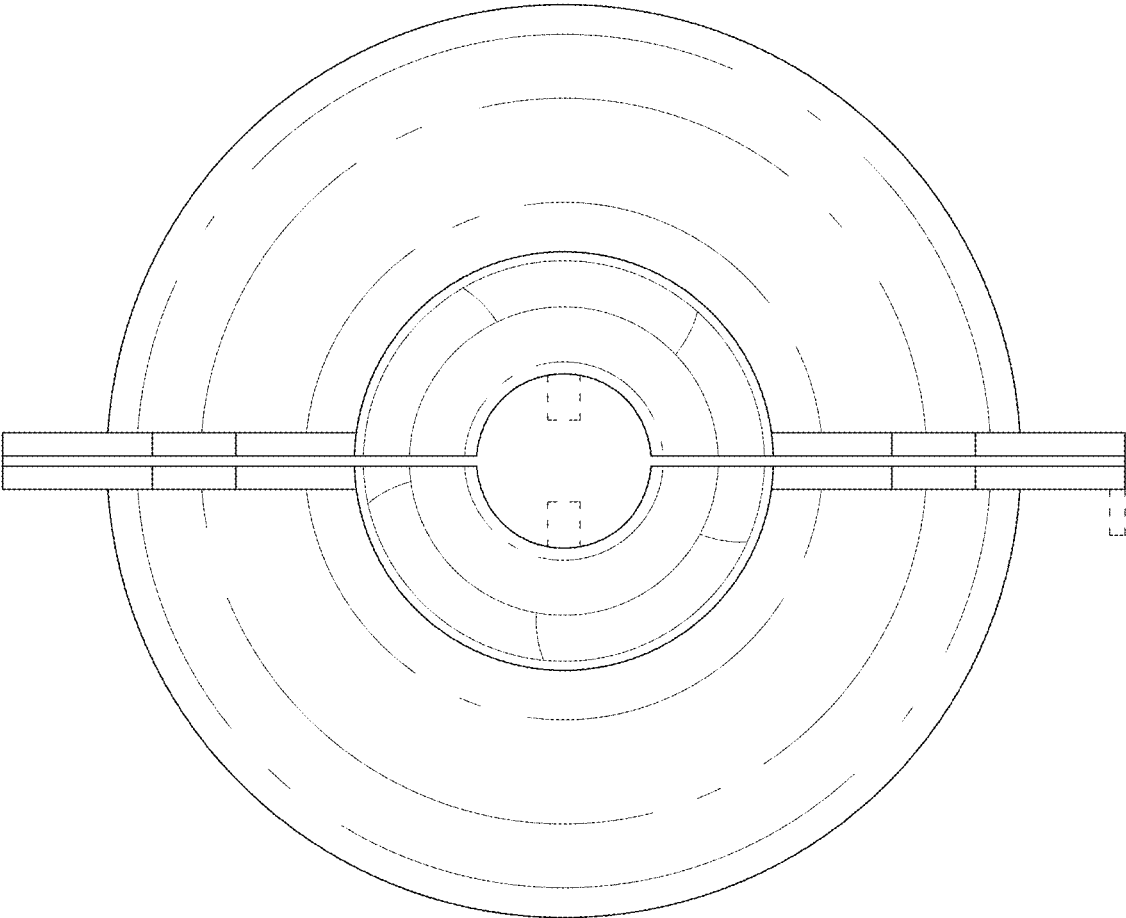


FIG. 6

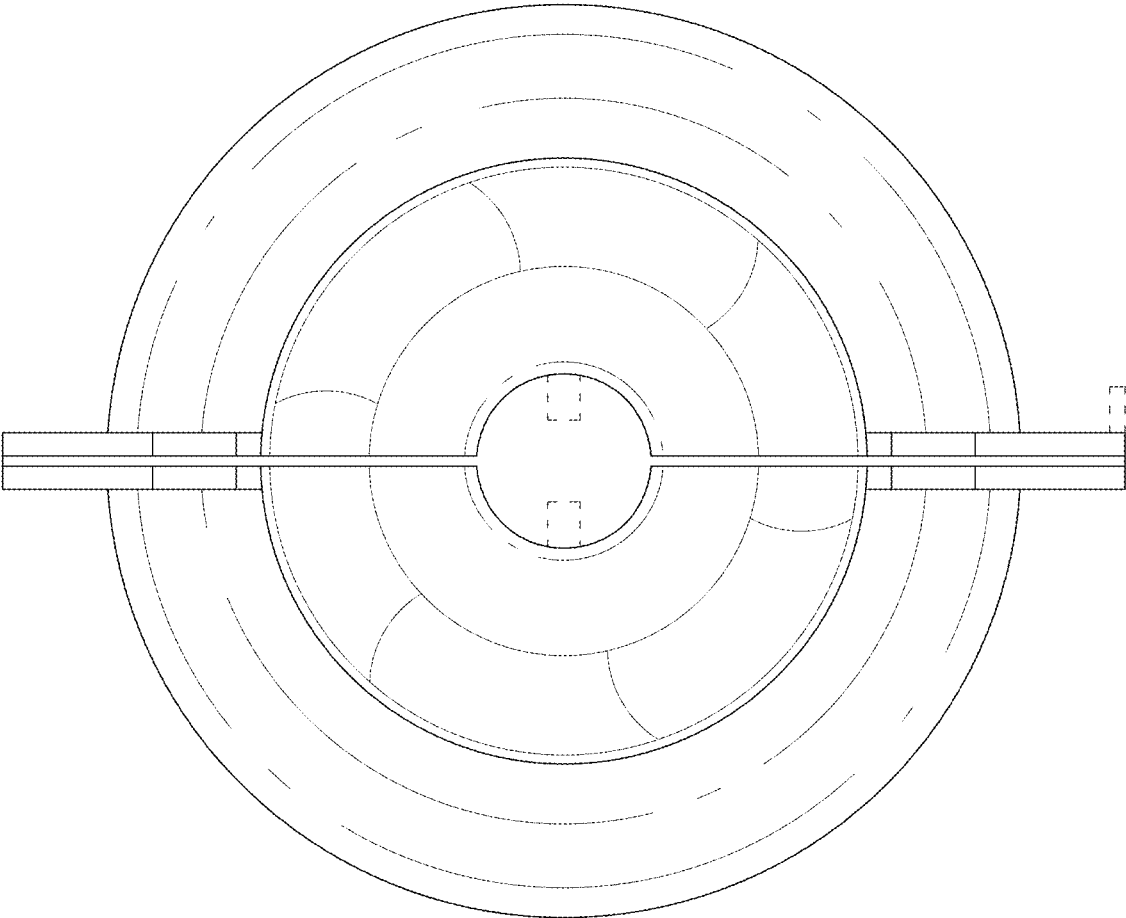


FIG. 7

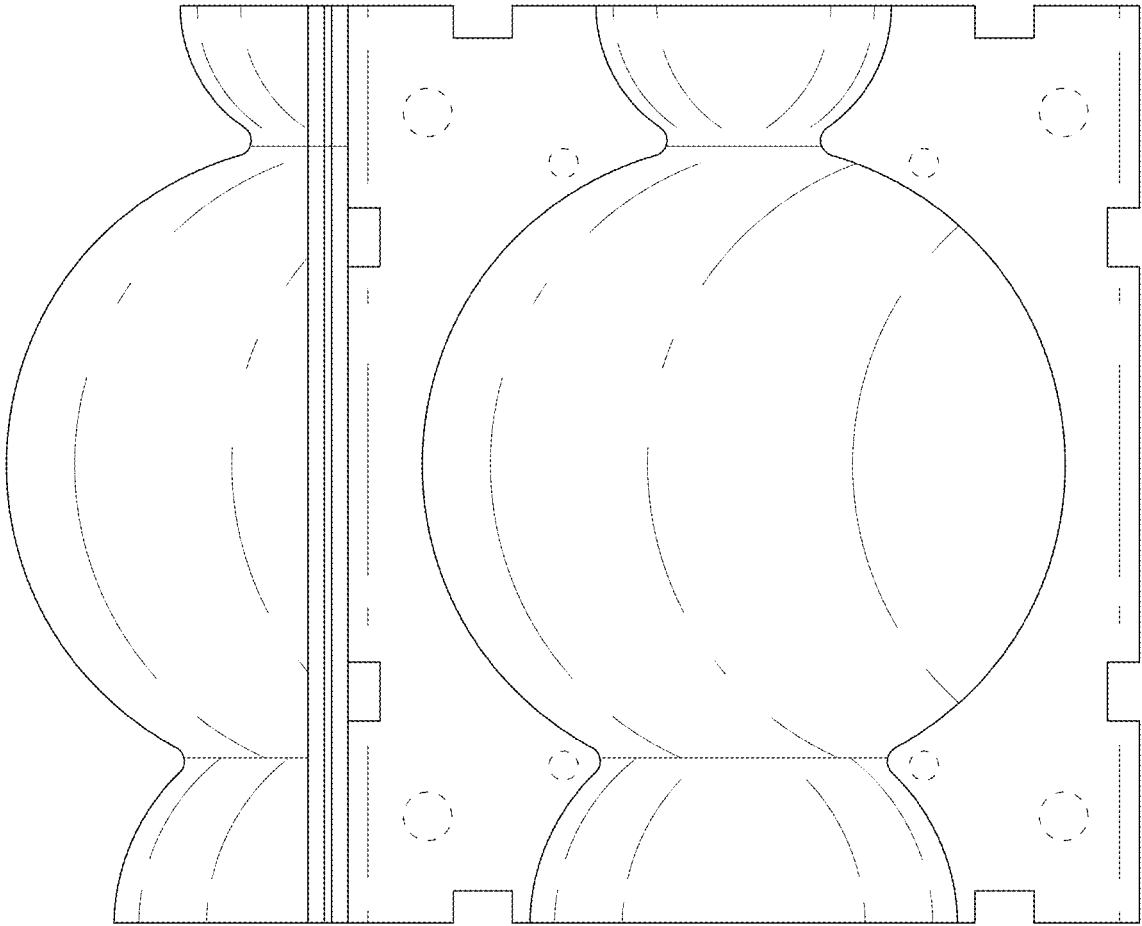


FIG. 8