

19



Europäisches Patentamt
European Patent Office
Office européen des brevets



11 Publication number:

0 264 238 B1

12

EUROPEAN PATENT SPECIFICATION

45 Date of publication of patent specification: **25.09.91** 51 Int. Cl.⁵: **A61F 5/44, A61F 13/15**

21 Application number: **87308971.8**

22 Date of filing: **09.10.87**

54 Absorbent article having a containment pocket.

30 Priority: **10.10.86 US 917452**

43 Date of publication of application:
20.04.88 Bulletin 88/16

45 Publication of the grant of the patent:
25.09.91 Bulletin 91/39

84 Designated Contracting States:
AT BE CH DE ES FR GB GR IT LI LU NL SE

56 References cited:
EP-A- 0 109 126 EP-A- 0 134 086
EP-A- 0 219 326 GB-A- 2 182 841
US-A- 3 452 753 US-A- 3 825 006
US-A- 3 978 861

73 Proprietor: **THE PROCTER & GAMBLE COMPANY**
One Procter & Gamble Plaza
Cincinnati Ohio 45202(US)

72 Inventor: **Foreman, John H.**
4447 Woodtrail Lane
Cincinnati Ohio 45239(US)

74 Representative: **Gibson, Tony Nicholas et al**
Procter & Gamble (NTC) Limited Whitley
Road
Longbenton Newcastle upon Tyne NE12
9TS(GB)

EP 0 264 238 B1

Note: Within nine months from the publication of the mention of the grant of the European patent, any person may give notice to the European Patent Office of opposition to the European patent granted. Notice of opposition shall be filed in a written reasoned statement. It shall not be deemed to have been filed until the opposition fee has been paid (Art. 99(1) European patent convention).

Description

FIELD OF THE INVENTION

The present invention relates to absorbent articles such as disposable diapers, and more particularly, to absorbent articles having barrier cuffs so as to improve the containment characteristics of the absorbent article.

BACKGROUND OF THE INVENTION

The major function of absorbent articles such as disposable diapers and adult incontinent briefs is to absorb and contain body exudates. Such articles are thus intended to prevent body exudates from soiling, wetting, or otherwise contaminating clothings or other articles, such as bedding, that come in contact with the wearer. The most common mode of failure for such products occurs when body exudates leak out of the gaps between the article and the wearer's leg or waist to adjacent clothing because they are not immediately absorbed within the article. This is most evident with loose fecal material which is not easily absorbed by the absorbent article and tends to "float" on the liquid-receiving surface of the absorbent article.

Contemporary disposable diapers, such as those disclosed in U. S. Patent 3,860,003 issued to Kenneth Barclay Buell on January 14, 1975, have a topsheet, a backsheet, an absorbent core, and elasticized leg flaps to improve both wearing comfort and the ability to contain body exudates. These elasticized leg flaps prove effective generally to prevent wicking and overflow from the fluid laden diaper to clothing contacting the edges of the diaper in that the elasticized leg flaps present a fluid impervious barrier between the edge of the diaper and the contacting clothing, and in addition, provide a gasketing action about the legs of the wearer. Despite the effectiveness of such structures, however, body exudates, especially loose fecal material, can leak through the elasticized leg flaps and soil the wearer's clothing because the diaper does not constrain the free flow of such material nor provide a structure to hold it within the diaper so that as such material freely floats on the liquid-receiving surface of the diaper, it tends to work its way past the elasticized leg flaps.

One proposal to avoid leakage of body exudates through the elasticated leg flaps is disclosed in the commonly assigned EP-A-0109126. This describes a disposable diaper structure with breathable leg cuffs in which the proximal portions of the leg cuffs adjacent the absorbent element of the diaper are impermeable and form an upstanding gutter or channel restraining the passage of exudates, while the distal portions of the leg cuffs

are formed of a material that allows the passage of vapour while tending to retard the passage of liquid. However this structure does not provide containment against the leakage of exudates along the waist edges of the absorbent article.

Therefore, it is an object of the present invention to provide an absorbent article which has improved containment characteristics.

It is an additional object of the present invention to provide an absorbent article having barrier cuffs which act as a restraint against the leakage of body exudates.

It is a further object of the present invention to provide an absorbent article having a pair of first barrier cuffs and at least one second barrier cuff which interact to form a containment pocket around a portion of the periphery of the absorbent article so as to provide a restraint against the leakage of body exudates, thereby improving the containment characteristics of the absorbent article, especially in regard to loose fecal material.

It is also an object of the present invention to provide an absorbent article having a containment pocket wherein the distal edges are raised above the liquid-receiving surface of the absorbent article when the article is fitted on the wearer such that a channel is formed around the containment pocket which restrains, contains and holds body exudates within the absorbent article.

These and other objects of the present invention will be more readily apparent when considered in reference to the following description and when taken in conjunction with the accompanying drawings.

SUMMARY OF THE INVENTION

In accordance with the present invention there is provided an integral disposable absorbent article comprising an absorbent core having a garment surface, a body surface, side edges, and waist edges, a liquid impervious backsheet positioned adjacent said garment surface of said absorbent core; a gasketing flap extending outwardly from and along each side edge of said absorbent core; and a flap elastic member operatively associated with each of said gasketing flaps to thereby form gasketing cuffs; wherein a first barrier cuff is disposed adjacent each of said gasketing cuffs along the longitudinal edges of the absorbent article, each of said first barrier cuffs having a first proximal edge and a first distal edge, each of said first proximal edges being disposed inboard of said flap elastic member, preferably outboard of said side edges of said absorbent core; a second barrier cuff is disposed adjacent each end edge of the absorbent article so as to extend along at least a portion of said end edge, each of said second barrier cuffs

having a second proximal edge and a second distal edge; and said first distal edges and said second distal edges overlap at at least 4 corner points to form a containment pocket around the entire periphery of the absorbent article.

BRIEF DESCRIPTION OF THE DRAWINGS

While the specification concludes with claims particularly pointing out and distinctly claiming the subject matter which is regarded as forming the present invention, it is believed that the invention will be better understood from the following descriptions which are taken in conjunction with the accompanying drawings in which like designations are used to designate substantially identical elements, and in which:

Figure 1 is a plan view of a disposable diaper embodiment of the present invention having portions cut away to reveal underlying structure.

Figure 2 is a fragmentary sectional view taken along section line 2-2 of Figure 1.

Figure 3 is a fragmentary sectional view taken along section line 3-3 of Figure 1.

DETAILED DESCRIPTION OF THE INVENTION

As used herein, the term "integral disposable absorbent article" refers to articles which absorb and contain body exudates and more specifically refers to articles which are placed against or in proximity to the body of the wearer to absorb and contain the various exudates discharged from the body, which are intended to be discarded after a single use (i.e., they are not intended to be laundered or otherwise restored or reused), and which are unitary in that they do not require separate manipulative parts like a separate holder and liner. A preferred embodiment of the integral disposable absorbent article of the present invention, diaper 20, is shown in Figure 1. As used herein, the term "diaper" refers to a garment generally worn by infants and incontinent persons that is worn about the lower torso of the wearer. It should be understood, however, that the present invention is also applicable to other integral disposable absorbent articles such as incontinent briefs and the like.

Figure 1 is a plan view of the diaper 20 of the present invention in its flat-out, uncontracted state (i.e., with all elastic induced contraction pulled out) with portions of the structure being cut-away to more clearly show the construction of the diaper 20 and with the portion of the diaper 20 which contacts the wearer facing the viewer. The diaper 20 is shown in Figure 1 to have a front waist region 22, a back waist region 24, a crotch region 26 and a periphery 28 which is defined by the outer edges of the diaper 20 in which the longitudinal edges are

designated 30 and the end edges are designated 32. The diaper 20 additionally has a lateral centerline which is designated 34 and a longitudinal centerline which is designated 36.

The diaper 20 comprises a liquid pervious topsheet 38, the liquid-receiving surface of the diaper 20 being generally defined by the topsheet 38 and being designated 40; a liquid impervious backsheet 42; an absorbent core 44 having side edges 46 and waist edges 47 and comprising an absorbent layer 48 and first and second tissue layers 50 and 52, respectively; a pair of tape-tab fasteners 54; gasketing cuffs 56 each comprising a side flap 58 and one or more flap elastic members 60; first barrier cuffs 62 each comprising a flap portion 74 and a channel portion 75 and having a first proximal edge 64, a first distal edge 66, an inboard surface 68, an outboard surface 70, and ends 72; spacing means 76 such as a spacing elastic member 77 for spacing the first distal edge 66 away from the liquid-receiving surface 40; and second barrier cuffs 262 each comprising a second flap portion 274 and a second channel portion 275 and having a second proximal edge 264, a second distal edge 266, an inner surface 268, an outer surface 270, and ends 272. As shown in Figure 1, the spacing elastic members 77 preferably extend longitudinally along the first distal edges 66 beyond the second distal edges 266, so as to space not only the first distal edges 66 but also the second distal edges 266 away from the liquid-receiving surface 40 and to eliminate the need and expense of positioning a second spacing means in the second barrier cuffs 262. The diaper 20 additionally comprises closing means 78 such as an adhesive bead for securing the distal edges with each other. While the topsheet 38, the absorbent core 44, the backsheet 42, and the gasketing cuffs 56 may be assembled in a variety of well known configurations, a preferred diaper configuration is described generally in U. S. Patent 3,860,003 entitled "Contractable Side Portions for Disposable Diaper", which issued to K. B. Buell on January 14, 1975.

Figure 1 shows a preferred embodiment of the diaper 20 in which the backsheet 42 has length and width dimensions generally larger than those of the absorbent core 44. The backsheet 42 extends beyond the edges of the absorbent core 44 to thereby form the periphery 28 of the diaper 20. The periphery 28 defines the outer perimeter or, in other words, the edges of the diaper 20. The periphery 28 comprises the end edges 32 and the longitudinal edges 30.

The diaper 20 has front and back waist regions 22 and 24 extending, respectively, from the end edges 32 of the diaper periphery 28 toward the lateral centerline 34 of the diaper 20 a distance

from about 1/4 to about 1/3 the length of the diaper 20. The waist regions comprise those portions of the diaper 20 which, when worn, encircle the waist of the wearer. The crotch region 26 is that portion of the diaper 20 between the waist regions 22 and 24, and comprises that portion of the diaper 20 which, when worn, is positioned between the legs of the wearer and covers the lower torso of the wearer.

Figure 2 is a fragmentary sectional view taken along line 2-2 of Figure 1 and depicts a preferred diaper construction in the crotch region 26 of the diaper 20. The absorbent core 44 comprises the absorbent layer 48 that is shown as being completely enveloped by the first and second tissue layers 50 and 52 which define the garment surface and the body surface of the absorbent core 44. The absorbent core 44 is disposed between the topsheet 38 and the backsheet 42; the backsheet 42 extending beyond the side edge 46 of the absorbent core 44. The first barrier cuff 62 is formed by affixing portions of a separate first barrier cuff member to the backsheet 42 adjacent the longitudinal edge 30 of the diaper 20 with attachment means 88 such as adhesive; a leakage-resistant seal being formed by the attachment means 88, the first barrier cuff 62 and the backsheet 42. This flap portion 74 of the first barrier cuff 62 and the backsheet 42 define the side flap 58 and enclose the flap elastic members 60 adjacent the longitudinal edge 30. The flap elastic members 60 are secured in the first barrier cuff-backsheet-formed side flap 58 by flap elastic attachment means 90. The elastically contractible gasketing cuff 56 is thereby formed by the side flap 58 and the flap elastic members 60. A channel portion 75 of the first barrier cuff 62 is contiguous with the flap portion 74 and comprises the first proximal edge 64 and the first distal edge 66. The first proximal edge 64 of the first barrier cuff 62 is formed inboard of the gasketing cuff 56, preferably between the flap elastic members 60 and the side edge 46 of the absorbent core 44, by adjoining a segment of the first barrier cuff member to the backsheet 42 by the edge attachment means 92 such as an adhesive bead so as to form a leakage-resistant seal along the first proximal edge 64. The first distal edge 66 is disposed inboard of the first proximal edge 64 and is not secured to any underlying elements of the diaper 20. As shown in Figure 2, the first distal edge 66 is formed by folding the end of the first barrier cuff member back upon itself and securing it to another segment of the first barrier cuff member by the distal attachment means 93 to form a tunnel. A spacing means 76 such as a spacing elastic member 77 is enclosed in the tunnel that is formed when the end of the first barrier cuff member is folded back upon itself;

the spacing elastic member 77 being secured in the first barrier cuff 62 by the spacing elastic attachments means 94. The first distal edge 66 is thus spaced away from the liquid-receiving surface 40 by the elastic gathering action of the spacing elastic members 77; a channel 96 thereby being formed by at least the first proximal edge 64, the first distal edge 66 and the inboard surface 68 of the first barrier cuff 62. The channel 96 is shown as being open and ready to restrain, contain and hold body exudates until the diaper 20 is removed from the wearer. The topsheet 38 is positioned adjacent the body surface of the absorbent core 44 and extends beyond the side edge 46 of the absorbent core 44 and terminates inwardly and preferably adjacent the first proximal edge 64, where it is preferably secured with the side flap 58 (backsheet 42) and the first proximal edge 64 by the edge attachment means 92 to provide a leakage-resistant seal along the first proximal edge 64.

Figure 3 is a fragmentary sectional view taken along line 3-3 of Figure 1 and depicts a preferred diaper construction in the back waist region 24 of the diaper 20. The absorbent core 44 comprises the absorbent layer 48 that is shown as being completely enveloped by the first and second tissue layers 50 and 52 which define the garment surface and the body surface of the absorbent core 44. The absorbent core 44 is disposed between the topsheet 38 and the backsheet 42; the backsheet 42 extending beyond the waist edge 47 of the absorbent core 44. The second barrier cuff 262 is formed by affixing portions of a separate second barrier cuff member to the backsheet 42 adjacent the end edge 32 of the diaper 20 with attachment means 88 such as an adhesive; a leakage-resistant seal being formed by the attachment means 88, the second barrier cuff 262 and the backsheet 42. This second flap portion 274 of the second barrier cuff 262 and the backsheet 42 define the waist flap 258. (In the preferred embodiment shown in Figure 3, a second gasketing cuff is not formed along the waist flap 258 although such a configuration is contemplated.) A second channel portion 275 of the second barrier cuff 262 is contiguous with the second flap portion 274 and comprises the second proximal edge 264 and the second distal edge 266. The second proximal edge 264 of the second barrier cuff 262 is formed outboard of the waist edge 47 of the absorbent core 44, between the waist edge 47 and the end edge 32, by adjoining a segment of the second barrier cuff member to the backsheet 42 by the edge attachment means 92 such as an adhesive bead so as to form a leakage-resistant seal along the second proximal edge 264. The second distal edge 266 is disposed inboard of the second proximal edge 264 and is not secured to any underlying elements of the diaper 20. Al-

though a spacing means 76 is preferably not disposed in the second barrier cuff 262, the second distal edge 266 is preferably formed by folding the end of the second barrier cuff member back upon itself and securing it to another segment of the second barrier cuff member by the distal attachment means 93 to form a tunnel. (While the second distal edge 266 is preferably formed as above so as to present a soft nonjagged edge to the wearer, alternative methods of forming the second distal edge 266 as well as the first distal edges 66 are within the scope of the invention.) A spacing means 76 such as a spacing elastic member 77 is preferably not disposed in the second barrier cuff 262 because the gathering action of the spacing elastic member 77 along the first distal edge 66 raises both the first and the second distal edge above the liquid-receiving surface 40 to form a channel 96; however, in alternative embodiments such as construction is contemplated. The topsheet 38 is positioned adjacent the body surface of the absorbent core 44 and preferably extends beyond the waist edge 47 of the absorbent core 44 and terminates inwardly and preferably adjacent the second proximal edge 264, where it is preferably secured with the waist flap 258 (backsheet 42) and the second proximal edge 264 by the edge attachment means 92 to provide a leakage-resistant seal along the second proximal edge 264.

As shown in Figure 1, the first distal edges 66 of the first barrier cuffs 62 and the second distal edges 266 of the second barrier cuffs 262 overlap at at least four points or areas which are designated corner points 100. While the distal edges may be disposed to overlap at only points, it is desirable that the distal edges overlap along a line at each intersection zone, most preferably along two lines (as is shown in Figure 1) so that the barrier cuffs overlap completely adjacent the corners of the diaper 20. The distal edges are secured with each other adjacent the corner points 100 by the closing means 78 so as to integrate the movement of the barrier cuffs and prevent their inversion during use. A leakage-resistant seal also preferably extends around the entire diaper 20 along the edges of the diaper 20 and the proximal edges to insure that exudates may not leak out along the periphery 28 of the diaper 20. The overlapping barrier cuffs thus in this preferred embodiment provide a containment pocket around the entire periphery 28 of the diaper 20 formed by the channels 96 of each of the barrier cuffs.

The topsheet 38 is substantially noncoterminal with the backsheet 42 so that liquids will not wick through the topsheet 38 underneath and beyond the proximal edges of the barrier cuffs, thereby reducing the leakage of liquids out of the diaper 20. The topsheet 38 is positioned adjacent the

body surface of the absorbent core 44 and overlays a major portion of the absorbent core 44 so that exudates are discharged onto the topsheet 38 and penetrate through the topsheet 38 where they are absorbed by the absorbent core 44. The topsheet 38 extends outwardly toward the edges of the absorbent core 44 so that a major portion of the absorbent core 44 is disposed between the backsheet 42 and the topsheet 38. In the preferred embodiment shown in Figure 1, the topsheet 38 has length and width dimensions generally larger than those of the absorbent core 44. The topsheet 38 preferably extends toward the edges of the absorbent core 44, preferably beyond the side edges 46 in at least the crotch region 26 and the waist edges 47, wherein the topsheet 38 preferably terminates inwardly of the proximal edges of the barrier cuffs. Inwardly is used herein to denote configurations wherein the terminating edge of the topsheet 38 is positioned adjacent the proximal edge (i.e., the topsheet 38 is substantially coterminal with the proximal edge) and configurations wherein the terminating edge of the topsheet 38 is positioned remotely from and inward of the proximal edge. Adjacent is used in this context to mean that the topsheet terminates at the proximal edge, plus or minus small areas of topsheet material that may extend inside or beyond the proximal edges due to machine tolerances during manufacture or variations in the topsheet's area when it is manufactured. In the most preferred embodiments as shown in Figure 1, the topsheet 38 is positioned adjacent the proximal edges and is secured to the flaps (backsheet 42) adjacent to the proximal edges by the edge attachment means 92 so as to form a leakage-resistant seal along the proximal edges around the periphery 28 of the diaper 20.

The topsheet 38 is compliant, soft feeling, and non-irritating to the wearer's skin. Further, the topsheet 38 is liquid pervious permitting liquids to readily penetrate through its thickness. A suitable topsheet may be manufactured from a wide range of materials, such as porous foams, reticulated foams, apertured plastic films, natural fibers (e.g., wood or cotton fibers), synthetic fibers (e.g., polyester or polypropylene fibers) or from a combination of natural and synthetic fibers. Preferably, it is made of a hydrophobic material to isolate the wearer's skin from liquids in the absorbent core 44.

A preferred topsheet 38 comprises staple length polypropylene fibers of 0.165 Tex such as Hercules Type 151 polypropylene marketed by Hercules, Inc. of Wilmington, Delaware. As used herein, the term "staple length fibers" refers to those fibers having a length of at least 15.9 mm (0.625 inches).

There are a number of manufacturing techniques which may be used to manufacture the

topsheet 38. For example, the topsheet 38 may be woven, non-woven, spunbonded, carded, or the like. A preferred topsheet 38 is carded, and thermally bonded by means well known to those skilled in the fabrics art. Preferably, the topsheet 38 has a weight from 18 to 25 grams per square meter, a minimum dry tensile strength of at least 400 grams per centimeter in the machine direction and a wet tensile strength of at least 55 grams per centimeter in the cross machine direction.

The absorbent core 44 may be any means which is generally compressible, conformable, non-irritating to the wearer's skin, and capable of absorbing and retaining liquids and certain body exudates. A preferred absorbent core 44 has first and second opposed faces (a body surface and a garment surface) and comprises an absorbent layer 48 and first and second tissue layers 50 and 52, respectively. The first and second tissue layers 50 and 52 overlay the major surfaces of the absorbent layer 48 to form the garment surface and the body surface of the absorbent core 44.

The absorbent layer 48 may be manufactured in a wide variety of sizes and shapes (e.g., rectangular, hourglass, etc.) and from a wide variety of liquid absorbent materials commonly used in disposable diapers and other absorbent articles, such as comminuted wood pulp which is generally referred to as airfelt. Examples of other suitable absorbent materials include creped cellulose wadding, absorbent foams, absorbent sponges, super absorbent polymers, absorbent gelling materials, or any equivalent materials or combination of materials. The total absorbent capacity of the absorbent layer 48 should, however, be compatible with the design exudate loading in the intended use of the diaper 20. Further, the size and absorbent capacity of the absorbent layer 48 may be varied to accommodate wearers ranging from infants through adults.

A preferred embodiment of the diaper 20 has an hourglass-shaped absorbent layer 48 and is intended to be worn by infants ranging in weight from 5 kgs to 12 kgs (12 pounds to 26 pounds). The airfelt used in the absorbent layer 48 weighs from 30 grams to 56 grams, has a generally uniform caliper, and has an absorbent capacity of from 8 grams to 16 grams of water per gram of absorbent material. It should be understood, however, that the size, shape, configuration, and total absorbent capacity of the absorbent layer 48 may be varied to accommodate wearers ranging from infants through adults. Therefore, the dimensions, shape, and configuration of the absorbent layer 48 may be varied (e.g. the absorbent layer may have a varying caliper, or a hydrophilic gradient, or may contain absorbent gelling materials). The absorbent layer 48 is preferably a batt of airfelt 32 cm wide

(lateral dimension), 45 cm long (longitudinal dimension) and approximately 7 cm across the narrowest part of the crotch region.

The first and second tissue layers 50 and 52 improve the tensile strength of the absorbent core 44 and reduce the tendency of the absorbent layer 48 to split, lump or ball when wetted. The first and second tissue layers 50 and 52 also help to improve lateral wicking of the absorbed exudates, thereby providing a more even distribution of the exudates throughout the absorbent layer 48. While a number of materials and manufacturing techniques may be used to manufacture the first and second tissue layers 50 and 52, satisfactory results have been obtained with sheets of tissue paper having a basis weight of 16 grams per square meter (10 lbs. per 3000 square feet) and having an air permeability of 30.5 cubic meters per minute per square meter (100 cubic feet per minute per square foot) at a pressure differential of 12.8 millimeters of water (1/2 inch).

While the first and second tissue layers 50 and 52 are preferably coterminous with the absorbent layer 48, they may have different dimensions, a different configuration, or they may be omitted entirely.

The backsheet 42 is positioned adjacent the garment surface of the absorbent core 44 and is preferably attached thereto by attachment means (not shown) such as those well known in the art. For example, the backsheet 42 may be secured to the absorbent core 44 by a uniform continuous layer of adhesive, a patterned layer of adhesive, or an array of separate lines or spots of adhesive. Adhesives which have been found to be satisfactory are manufactured by Eastman Chemical Products Company of Kingsport, Tennessee and marketed under the tradename Eastobond A-3 and by Century Adhesives, Inc. of Columbus, Ohio and marketed under the tradename Century 5227.

The backsheet 42 is impervious to liquids and is preferably manufactured from a thin plastic film, although other flexible liquid impervious materials may also be used. The backsheet 42 prevents the exudates absorbed and contained in the absorbent core 44 from wetting articles which contact the diaper 20 such as bedsheets and undergarments. Preferably, the backsheet 42 is a polyethylene film having a thickness of from 0.012 mm (0.5 mil) to 0.051 mm (2.0 mils), although other flexible, liquid impervious materials may be used. As used herein, the term "flexible" refers to materials which are compliant and which will readily conform to the general shape and contours of the human body.

A suitable polyethylene film, is manufactured by Monsanto Chemical Corporation and marketed in the trade as Film No. 8020. The backsheet 42 is preferably embossed and/or matte finished to pro-

vide a more clothlike appearance. Further, the backsheet 42 may permit vapors to escape from the absorbent core 44 while still preventing exudates from passing through the backsheet 42.

The size of the backsheet 42 is dictated by the size of absorbent core 44 and the exact diaper design selected. In a preferred embodiment, the backsheet 42 has a modified hourglass shape extending beyond the absorbent core 44 a minimum distance of at least 1.3 cm to 2.5 cm (0.5 to 1.0 inch) around the entire diaper periphery 28.

Tape tab fasteners 54 are typically applied to the back waist region 24 of the diaper 20 to provide a fastening means to hold the diaper on the wearer. The tape tab fasteners 54 can be any of those well known in the art, such as the fastening tape disclosed in U. S. Patent 3,848,594 issued to K. B. Buell on November 19, 1974.

These tape tab fasteners 54 or other diaper fastening means, such as pins, are typically applied near the top edge of a diaper in its "in-use" configuration.

The elastically contractible gasketing cuffs 56 are disposed adjacent the periphery 28 of the diaper 20, preferably adjacent each first barrier cuff 62 along each longitudinal edge 30 so that the gasketing cuffs 56 tend to draw and hold the diaper 20 against the legs of the wearer. Alternatively, a second gasketing cuff may be disposed adjacent either or both of the second barrier cuffs 262 along the end edges 32 of the diaper 20 to provide a waistcuff. While the gasketing cuffs may comprise any of several means as are well known in the diaper art, a particularly preferred gasketing cuff construction comprises a flexible flap and one or more flap elastic members 60, as is described in detail in the hereinbefore referenced U. S. Patent 3,860,003. In addition, a method and apparatus suitable for manufacturing a disposable diaper having elastically contractible gasketing cuffs are described in U. S. patent 4,081,301 entitled "Method and Apparatus for Continuously Attaching Discrete, Stretched Elastic Strands to Predetermined Isolated Portions of Disposable Absorbent Articles" which issued to K. B. Buell on March 28, 1978.

A particularly preferred second gasketing cuff or waistband construction is described in U.S. Patent 4,515,595 entitled "Disposable Diapers With Elastically Contractible Waistbands" which issued to D. J. Kievet and T. F. Osterhage on May 7, 1985.

The flaps should be highly flexible and thus contractible so that the flap elastic members 60 may gather the flaps to provide a gasketing cuff about the legs or waist of the wearer. The flaps are that portion of the diaper 20 between the periphery 28 and the side edges 46 or the waist edges 47 of the absorbent core 44. Thus in a preferred embodi-

ment of the present invention as shown in Figure 1, the side flaps 58 are formed from the extension of the backsheet 42 and the flap portion 74 of the first barrier cuffs 62 from and along the side edges 46 of the absorbent core 44 of the diaper 20 in at least the crotch region 26 and the waist flaps 258 are formed from the extension of the backsheet 42 and the second flap portion 274 of the second barrier cuffs 262 from and along the waist edges 47 of the absorbent core 44.

The flap elastic members 60 are operatively associated with the flaps in an elastically contractible condition so that in a normally unrestrained configuration, the flap elastic members 60 effectively contract or gather the flaps. The flap elastic members 60 can be associated with the flaps in an elastically contractible condition in at least two ways. For example, the flap elastic members 60 may be stretched and secured to the flaps while the flaps are in an uncontracted condition. Alternatively, the flaps may be contracted, for example by pleating, and the flap elastic members 60 secured to the contracted flaps while the flap elastic members 60 are in their unrelaxed or unstretched condition.

In the embodiment illustrated in Figure 1, the flap elastic members 60 extend essentially the entire length of the side flaps 58 in the crotch region 26 of the diaper 20. Alternatively, the flap elastic members 60 may extend the entire length of the diaper 20, or any other length suitable to provide an elastically contractible gasketing cuff. The length of the flap elastic members 60 is dictated by the diaper's design.

As shown in Figure 2, the flap elastic members 60 are operatively associated with the side flaps 58 by securing them to the side flaps 58 with flap elastic attachments means 90. The flap elastic attachment means 90 should be flexible and of sufficient adhesiveness to hold the flap elastic member 60 in its stretched condition. The flap elastic attachment means 90 herein are preferably glue beads made of hot melt adhesives such as marketed by Findley Adhesives Incorporated, Elm Grove, Wisconsin as Findley Adhesives 581, although the flap elastic members 60 may be affixed to the diaper 20 in any of several other ways which are well known in the art. For example, the flap elastic members 60 may be ultrasonically bonded or heat/pressure sealed into the diaper 20 using a variety of bonding patterns or the flap elastic members 60 may simply be glued to the diaper 20. A more detailed description of the manner in which the flap elastic members 60 may be positioned and secured to the diaper 20 can be found in U. S. Patent 4,253,461 issued to Strickland and Visscher on March 3, 1981, and U. S. Patent 4,081,301 issued to Buell on March 28, 1978.

One flap elastic member 60 which has been found to be suitable is an elastic strand having a cross section of 0.18 mm by 1.5 mm and made from natural rubber as available from Easthampton Rubber Thread Company of Stewart, Virginia, under the trademark L-1900 Rubber Compound. Other suitable flap elastic members 60 can be made from natural rubber, such as elastic tape sold under the trademark Fulflex 9411 by Fulflex Company of Middletown, Rhode Island. The flap elastic member 60 may also comprise any heat shrinkable elastic material as is well known in the art. Other suitable flap elastic members 60 may comprise a wide variety of materials as are well known in the art including elastomeric films, polyurethane films, elastomeric foams, and formed elastic scrim.

In addition, the flap elastic members 60 may take a multitude of configurations. For example, the width of the flap elastic members 60 may be varied from 0.25 mm (0.01 inches) to 25 mm (1.0 inch) or more; the flap elastic members 60 may comprise a single strand of elastic material or may comprise several parallel or non-parallel strands of elastic material; or the flap elastic members 60 may be rectilinear or curvilinear.

The barrier cuffs provide a barrier to restrain the free flow of body exudates along the liquid-receiving surface 40 and provide a structure to hold and contain such exudates within the diaper 20. Each of the barrier cuffs is a flexible member having a proximal edge, a distal edge, an inboard surface, an outboard surface, and ends. As used herein, the term "flexible" refers to materials which are compliant and will readily conform to the general shape and contours of the body. In addition, if the spacing means 76 comprises one or more spacing elastic members 77, the barrier cuffs must be contractible so that the distal edges may be sufficiently spaced away from the liquid-receiving surface 40 so that the channel 96 formed along the barrier cuffs is open to constrain, retain and hold body exudates within the diaper 20. The barrier cuffs may be manufactured from a wide variety of materials such as polypropylene, polyester, rayon, nylon, foams, plastic films, formed films, and elastic foams. A number of manufacturing techniques may be used to manufacture the barrier cuffs. For example, the barrier cuffs may be woven, non-woven, spunbonded, carded, or the like. A particularly preferred barrier cuff comprises a polypropylene material containing no finish or surfactant to render it liquid impermeable. A particularly preferred polypropylene material is manufactured by Crown Zellerbach Company as Celestra.

Referring to Figures 1, 2 and 3, it can be seen that each of the barrier cuffs preferably has a flap portion and a channel portion. The flap portion is contiguous with the channel portion and extends

outwardly from the proximal edge of the channel portion toward the edge of the diaper 20, preferably to the edge, such that each of the flaps is formed from the extension of the backsheet 42 and the flap portion of the respective barrier cuff.

While the flap portion is preferably a continuous segment of the barrier cuff member, the flap portion may be formed from a different piece of material secured to the channel portion of the barrier cuff. Thus, the flap portion may have different physical properties, dimensions, and characteristics than the channel portion. For example, the flap portion need not be liquid impermeable nor extend outwardly to the edge of the diaper 20. In addition, the barrier cuff need not have a flap portion such that a flap portion may be omitted entirely. The flap portion is, however, preferably hydrophobic, liquid impermeable, compliant, soft feeling and non-irritating to the wearer's skin since it contacts the legs of the wearer when in use. The channel portion of the barrier cuffs comprises that portion of the barrier cuff between the proximal edge and the distal edge and generally defines the channel 96 formed along the diaper 20.

As shown in Figures 1 and 2, the first barrier cuffs 62 are disposed adjacent each longitudinal edge 30 of the diaper 20 and are preferably disposed adjacent to the inboard of the gasketing cuffs 56; the first proximal edges 64 being preferably disposed inboard of the flap elastic members 60 of the gasketing cuffs 56. The term "inboard" is defined as the direction toward the centerline (34 or 36, respectively) of the diaper 20 that is parallel to the respective edge of the diaper 20 along with the particular gasketing cuff is disposed. The first proximal edge 64 is preferably disposed inboard of the gasketing cuff 56, the flap elastic member 60, so that exudates, especially loose fecal material which is not easily absorbed and tends to float along the liquid-receiving surface 40, will contact the channel portion 75 of the first barrier cuff 62 before it can contact the gasketing cuff 56. The first barrier cuffs 62 are disposed adjacent the gasketing cuffs 56 to provide a more effective dual restraint against the flow of body exudates. The first proximal edge 64 is preferably disposed between the flap elastic member 60 of the gasketing cuff 56 and the longitudinal centerline 36 of the diaper 20. Most preferably, the first proximal edge 64 is disposed between the innermost flap elastic member 60 and the side edge 46 of the absorbent core 44 in at least the crotch region 26 of the diaper 20.

A second barrier cuff 262 is disposed adjacent each of the end edges 32 of the diaper 20, positioned in the front waist region 22 and the back waist region 24. The second barrier cuff 262 positioned in the back waist region 21 is especially

effective in containing loose fecal material while the second barrier cuff 262 disposed in the front waist region 22 is especially effective in containing gushes of urine from male wearers. A second barrier cuff 262 disposed adjacent each end edge 32 provides both advantages and forms a containment pocket around the entire periphery 28 of the diaper 20. The second proximal edge 264 of each second barrier cuff 262 is preferably disposed between the end edges 32 of the diaper 20 and the lateral centerline 34. Most preferably, the second proximal edge 264 is disposed outboard of the waist edge 47 of the absorbent core 44. (It should be understood that if a second gasketing cuff is present in a particular embodiment, then the placement of the second barrier cuffs 262 with respect to the second gasketing cuffs is preferably the same as the placement of the first barrier cuffs 62 with respect to the gasketing cuffs 56.) As shown in Figure 1, the second barrier cuffs 262 extend along only a portion of the end edges 32, between preferably the first proximal edges 64, so as to conserve fabric and for ease of manufacture. However, the second barrier cuffs 262 may alternatively extend along the entire end edge 32 or any fraction thereof at least between the first distal edges 66 to provide a containment pocket.

The proximal edges and the distal edges are in spaced relation to each other and define the effective width of each of the barrier cuffs. The proximal and distal edges may be in a parallel, nonparallel, rectilinear or curvilinear relationship. In addition, each of the barrier cuffs may have a variety of different cross-sectional areas including circular, square, rectangular or any other shape such as that shown in Figures 2 and 3. Preferably, the proximal edges are spaced from the distal edges in a parallel and rectilinear relationship to provide barrier cuffs having uniform effective widths. Each barrier cuff preferably has an effective width of at least 5 mm, and preferably of at least from 10 mm to 50 mm.

The distal edges are preferably disposed inboard of the proximal edges to present a more effective barrier against the flow of exudates. The distal edges are maintained inboard of the proximal edges by the closing means 78 so as to obviate their inversion. While the distal edges may alternatively be disposed in other positions in relation to the proximal edges, such positions are not preferred.

The first distal edges 66 are preferably not secured to any other element in at least the crotch region 26 of the diaper 20 so that they may be spaced away from the liquid-receiving surface 40. The second distal edges 266 are preferably not secured to any other element between at least the first distal edges 66 so that they may be spaced

away from the liquid-receiving surface 40. The distal edges are preferably spaced away from the liquid-receiving surface 40 so that the barrier cuffs may form a channel 96 to enhance the containment of the diaper 20. As used herein, "spaced" includes embodiments wherein the distal edges may assume one or more positions relative to the liquid-receiving surface 40 including at some times assuming a position adjacent the liquid-receiving surface 40. The distance between a distal edge to the liquid-receiving surface 40 is measured along a line drawn from the distal edge to the closest part of the liquid-receiving surface 40 when the distal edge is positioned so as to be spaced away from the liquid-receiving surface 40 as far as possible. (i.e., in the elastically contracted position). Preferably, the first distal edges 66 are spaced away from the liquid-receiving surface 40 by a height of at least 2 mm, and more preferably of at least from 5 mm (1/4") to 10 mm (3/8").

A channel 96 is formed at least along the proximal and distal edges and the inboard surface of each of the barrier cuffs. The channel 96 forms a barrier to the flow of exudates as they tend to move or float across the topsheet 38. Thus, the channel 96 restrains, contains and holds exudates within the diaper 20 until the diaper 20 can be removed.

The barrier cuffs are preferably hydrophobic and more preferably liquid impermeable so as to prevent the strikethrough of body exudates. A liquid impermeable barrier cuff retards the movement of liquid through the barrier cuff, thereby making it more leakage resistant. The barrier cuffs may be rendered liquid impermeable in any manner well known in the art such as selectively treating the barrier cuffs, untreated the barrier cuffs, or by securing a separate material to the barrier cuffs.

The barrier cuffs may additionally be provided with absorbent means secured to or within the barrier cuff. The absorbent means absorb and contain exudates which contact the barrier cuff. The absorbent means may be any means which is capable of absorbing and retaining fluids and may have any size, shape, configuration or absorbent capacity. The absorbent means may be secured to the barrier cuff along the inner surface or within the barrier cuff. Preferably, the absorbent means is a layer of airfelt secured along the inner surface of the barrier cuff and secured along the entire length and width of the inner surface of the barrier cuff.

A preferred embodiment of the diaper 20 shown in Figure 1 is provided with each of the barrier cuffs joined to the flaps (i.e., the backsheet 42). The term "joined" includes any means for affixing the barrier cuffs to the diaper 20, and includes embodiments wherein the barrier cuffs are separate members directly or indirectly adjoined to

the flaps (i.e., integral) or embodiments wherein the barrier cuffs are constructed from the same member or material as an element of the diaper 20 so that the barrier cuffs are a continuous and undivided element of the flaps (i.e., unitary). The barrier cuffs may alternatively be joined to the backsheet 42, the absorbent core 44, the topsheet 38 or any combination of these or other elements of the diaper 20. In a preferred embodiment, the barrier cuffs are integral with the flaps, the first barrier cuffs 62 being integral with the side flaps 58 and the second barrier cuffs 262 being integral with the waist flaps 258. The integral barrier cuffs are thus preferably formed by a single separate strip of material with an intermediate segment adjoined to the flaps by the edge attachment means 92 such as an adhesive to form the proximal edge, the distal edge being formed by folding an end of the material back upon itself and being secured to another segment by the distal attachment means 93, and the remaining portion of the material, the flap portions, extending and terminating outboard of the proximal edges and preferably associated with the backsheet 42 by attachment means 88 to define the flaps.

The barrier cuffs and the flaps (backsheet 42) are adjoined together in any suitable manner. As used herein, the term "adjoined" encompasses configurations whereby the barrier cuffs are directly secured to the flaps by affixing portions of the barrier cuffs directly to the backsheet 42, and configurations whereby the barrier cuffs are indirectly joined to the flaps by affixing them to intermediate members which in turn are affixed to the backsheet 42. In a preferred embodiment, the barrier cuffs and the flaps are adjoined directly to each other in the diaper periphery 28 adjacent and outboard of the proximal edges by attachment means 88 and at the proximal edges by the edge attachment means 92 such as adhesive or any other attachment means such as heat/pressure sealing, ultrasonic bonding or any other methods as are known in the art. For example, a uniform continuous layer of adhesive, a patterned layer of adhesive, or an array of separate lines or spots of adhesive may be used. The attachment means 88 and the edge attachment means 92 are preferably a hot melt adhesive such as manufactured by Eastern Chemical Products Company of Kingsport, Tennessee and marketed under the tradename Eastobond A-3 or Century Adhesives, Inc. of Columbus, Ohio and marketed under the tradename Century 5227. (It should also be noted that the distal attachment means 93 herein are preferably the same type of means as the above attachment means.)

The edge attachment means 92 of the present invention for adjoining the proximal edges to the flaps provide a leakage-resistant seal along the

proximal edge to present a barrier to the wicking of liquids through the topsheet so as to prevent liquids from wicking underneath the barrier cuffs to the edges of the diaper 20. In a preferred embodiment as shown in Figure 1, 2, and 3, the edge attachment means 92 are positioned along the proximal edges preferably between the side edges 46 of the absorbent core 44 and the flap elastic members 60 in at least the crotch region 26 and between the waist edges 47 and the end edges 32 so that neither the topsheet 38 nor the absorbent core 44 extend beyond the proximal edges such that liquids may not wick past the proximal edges and will be contained and held within the containment pocket.

The spacing means 76 for spacing the distal edges away from the liquid-receiving surface 40 is any member which gathers, contracts, stiffens, shortens or otherwise acts on the barrier cuffs so as to cause the barrier cuff to stand up to provide a channel 96 along the barrier cuff that acts as a constraint against the leakage of exudates. While any or all of the first and second barrier cuffs may have a spacing means associated with it, in a preferred embodiment, only the first barrier cuffs 62 have a spacing means 76 associated with them.

As shown in Figure 1, the spacing means 76 preferably comprises a spacing elastic member 77 operatively associated with each of the first barrier cuffs 62 adjacent the first distal edge 66. The spacing elastic member 77 is preferably secured to the first barrier cuff 62 in an elastically contractible condition so that in a normally unrestrained configuration, the spacing elastic member 77 effectively contracts or gathers the first distal edge 66 of the first barrier cuff 62. The spacing elastic member 77 can be secured to the first barrier cuff 62 in an elastically contractible condition in at least two ways as is discussed in the above referenced U. S. Patent 3,860,003 that issued to K. B. Buell.

The length of the spacing elastic member 77 in general is dictated by the diaper design. In the preferred embodiment illustrated in Figure 1, the spacing elastic members 77 extend essentially the entire length of the barrier cuff 36 in the crotch region 26. In the most preferred embodiment, the spacing elastic members 77 extend longitudinally along the first distal edge 66 beyond the second distal edges 266 of the second barrier cuffs 262 (beyond the corner points 100) so as to cause not only the first barrier cuffs 62 but also the second barrier cuffs 262 to be spaced away from the liquid-receiving surface 40 of the diaper 20. The spacing elastic members 77 may extend beyond the second distal edges 266 any distance, including all the way to the end edges 32 of the diaper 20, so as to provide the most effective spacing of the second barrier cuffs 262 away from the liquid-

receiving surface 40. (If a second spacing elastic member is alternatively associated with either or both of the second barrier cuffs 262, the spacing elastic member 77 may or may not extend beyond the second distal edges 266.)

As shown in Figure 2, the spacing elastic member 77 is operatively associated with the first barrier cuff 62 by securing it within the first barrier cuff 62 with a spacing elastic attachment means 94. The spacing elastic attachment means 94 should be flexible and of sufficient adhesiveness to hold the spacing elastic member 77 in its stretched condition. While the spacing elastic members 77 may be secured to the barrier cuffs adjacent only the ends of the spacing elastic member 77, it is preferable to secure the entire length of the spacing elastic member 77 to the barrier cuffs. The spacing elastic attachment means 94 herein are preferably glue beads made of hot melt adhesive such as is marketed by Findley Adhesives Incorporated, Elmgrove, Wisconsin, as Findley Adhesives 581, although the spacing elastic members 77 may be affixed to the barrier cuffs in any of several ways which are well known in the art. For example, the spacing elastic members 77 may be ultrasonically bonded or heat/pressure sealed into the barrier cuffs using a variety of bonding patterns or the spacing elastic members 77 may simply be glued to the barrier cuffs. A more detailed description of the manner in which the spacing elastic members 77 may be positioned and secured to the barrier cuffs can be found in U. S. Patent 4,081,301, issued to Buell on March 28, 1978, and in U. S. Patent 4,253,461, issued to Strickland and Visscher on March 3, 1981. It should also be noted that one or more spacing elastic members 77 can be used to elasticize each barrier cuff.

A spacing elastic member 77 which has been found suitable is an elastic strand having a cross section of 0.18 mm by 1.5 mm and made from natural rubber as available from Easthampton Rubber Company of Stewart, Virginia, under the trademark L-1900 Rubber Compound. Other suitable spacing elastic members 77 can be made from natural rubber, such as elastic tape sold under the trademark Fulflex 9411 by Fulflex Company of Middletown, Rhode Island. The spacing elastic member 77 may also comprise any heat shrinkable elastic material as is well known in the art. Other suitable elastic materials may comprise a wide variety of materials as are well known in the art include elastomeric films, polyurethane films, elastomeric foams and formed elastic scrim.

In addition, the spacing elastic members 77 may take a multitude of configurations. For example, the width of the spacing elastic members 77 may be varied; the spacing elastic members 77 may comprise a single strand or several parallel or

non-parallel strands of elastic material; or the spacing elastic members 77 may be rectilinear or curvilinear.

The spacing means 76 for spacing the distal edges away from the liquid-receiving surface 40 may alternatively comprise several other elements. For example, the barrier cuffs may have stiffening means disposed in or on each barrier cuff. The stiffening means must be sufficiently stiff so that the distal edges are spaced away from the liquid-receiving surface 40. Suitable materials for the stiffening means include foams, nonwoven fabrics, batting, polyethylene film, formed films, spray glues, foamed elastomers, polyester, polyurethane, or a high loft material as is manufactured by Carolina Formed Fabrics.

The spacing means 76 may also comprise means for shortening the length of the distal edges in comparison to the length of the edges of the diaper 20. The distal edges can be shortened by making a fold or pleat in the distal edges. This fold or pleat is secured by any of the holding means well known to those of ordinary skill in the art, such as adhesives or heat sealing. Alternatively, a section may be cut out of the distal edges and the resultant edges brought together to form a butt or lapp joint. The distal edges may also be shortened by attaching a length of the distal edge to the topsheet 38 at a position different from where the distal edge would lie when the diaper 20 is in a flattened out condition. Other shortening techniques as are known in the art may also be used.

The closing means 78 for securing the distal edges of the barrier cuffs together provide a more comfortable fit for the wearer and obviate inversion of the distal edges of the barrier cuffs during application and use. Inversion is generally defined as the inboard-disposed distal edges turning outwardly when the diaper 20 is applied to the wearer. In a preferred embodiment as shown in Figure 1, the first distal edges 66 and the second distal edges 266 are secured together adjacent the corner points 100. While the distal edges need not be secured together, it is desirable that they be secured together so that the spacing function of the spacing elastic member 77 may be enhanced so as to space not only the first distal edges 66 but also the second distal edges 266 away from the liquid-receiving surface 40 and to insure a more liquid-tight containment pocket. In a preferred embodiment as shown in Figure 1, such closing means 78 are disposed in the front waist region 22 and the back waist region 24 of the diaper 20 adjacent the corner points 100.

The closing means 78 are preferably adhesive beads consisting of hot melt adhesives such as marketed by Eastman Chemical Products Company, Kingsport, Tennessee, as Eastobond A-3 or

Century Adhesives, Inc. of Columbus, Ohio as Century 5227 although other closing means as are known in the art such as ultrasonic bonding or heat/pressure sealing may also be used.

The diaper 20 is applied to a wearer by positioning the back waist region 24 under the wearer's back and drawing the remainder of the diaper 20 between the wearer's leg so that the front waist region 22 is positioned across the front of the wearer. The ends of the tape-tab fasteners 54 are then secured preferably to outwardly facing areas of the diaper 20. In this manner, the barrier cuffs should be disposed to provide the dispositions and functions described hereinbefore.

Basically, without intending to limit the present invention, the present invention is a diaper that is especially useful and leakage resistant against loose fecal material and gushes of urine, the improved containment characteristics being achieved in the following manner. As loose fecal material or urine is discharged onto the topsheet 38, some of the material flows or floats on the liquid-receiving surface 40 of the topsheet 38 (hereinafter referred to as surface material) and some of the material is absorbed by and wicks through the topsheet 38. The surface material moves from the point of discharge toward the longitudinal edges 30 and the end edges 32. Surface material will contact the barrier cuffs along their inboard surface. In normal use, the surface material will tend to collect in the channels formed by the standing barrier cuffs; the material being held in the containment pocket until the diaper 20 can be removed. Improved containment is achieved because surface material would have to flow up the channel 96, which direction is substantially directly against the force of gravity in order to penetrate and flow over the distal edges of the barrier cuffs. Even should such material flow beyond the barrier cuffs, it should be retarded from leaking out of the diaper 20 by the gasketing effect achieved by the gasketing cuffs, as they draw and gather the flaps about the legs or the waist of the wearer, thereby providing a second and independent effective barrier against leakage so as to further prevent the soiling of adjacent garments. Liquids that are absorbed by and wicked through the topsheet 38 migrate toward the edges of the diaper 20. Because the topsheet terminates inwardly of the proximal edges and because a leakage-resistant seal is formed along the proximal edges, liquids will be generally prevented from wicking beyond the containment pocket.

Claims

1. An integral disposable absorbent article (20) comprising an absorbent core (44, 48) having a garment surface (50), a body surface (52), side

edges (46), and waist edges (47), a liquid impervious backsheet (42) positioned adjacent said garment surface (50) of said absorbent core (44, 48); a gasketing flap (58) extending outwardly from and along each side edge (46) of said absorbent core (44, 48); and a flap elastic member (60) operatively associated with each of said gasketing flaps (58) to thereby form gasketing cuffs (56); characterised in that a first barrier cuff (62) is disposed adjacent each of said gasketing cuffs (56) along the longitudinal edges (30) of the absorbent article, each of said first barrier cuffs (62) having a first proximal edge (64) and a first distal edge (66), each of said first proximal edges (64) being disposed inboard of said flap elastic member (60), preferably outboard of said side edges (46) of said absorbent core (44, 48); a second barrier cuff (262) is disposed adjacent each end edge (32) of the absorbent article (20) so as to extend along at least a portion of said end edge, each of said second barrier cuffs (262) having a second proximal edge (264) and a second distal edge (266); and said first distal edges (66) and said second distal edges (266) overlap at at least 4 corner points (100) to form a containment pocket around the entire periphery (28) of the absorbent article (20).

2. An absorbent article according to claim 1 additionally comprising a spacing means (76), preferably a spacing elastic member (77), operatively associated with each of said first barrier cuffs (62) for spacing said first distal edges (66) away from the liquid-receiving surface (40) of the absorbent article.
3. An absorbent article according to either of the preceding claims additionally comprising a closing means (78) disposed adjacent each of said corner points (100) for securing together said first distal edges (66) and said second distal edges (266) so as to cause said first barrier cuffs (62) and said second barrier cuffs (262) to be spaced away from the liquid-receiving surface (40) of the absorbent article by said spacing means (76).
4. An absorbent article according to either one of claims 2 or 3 wherein said spacing elastic members (77) extend longitudinally along said first distal edge (66) beyond said second distal edges (266).
5. An absorbent article according to any one of the preceding claims wherein said first barrier cuffs (62) and said second barrier cuffs (262)

are at least hydrophobic, more preferably liquid impermeable.

6. An absorbent article according to any one of the preceding claims wherein said first barrier cuffs (62) are integral with said side flaps (58). 5
7. An absorbent article according to any one of the preceding claims additionally comprising a second gasketing cuff positioned adjacent each end edge (32) of the absorbent article, each of said second proximal edges (264) of said second barrier cuffs (262) being positioned inboard of said second gasketing cuffs, preferably between said waist edge (47) of said absorbent core (44, 48) and said second gasketing cuff. 10 15
8. An absorbent article according to any one of the preceding claims additionally comprising a second spacing means associated with each of said second barrier cuffs (262) for spacing said second distal edges (266) away from the liquid-receiving surface (40) of the absorbent article. 20
9. An absorbent article according to any one of the preceding claims additionally comprising a liquid pervious topsheet (38) positioned adjacent said body surface (52) of said absorbent core (44, 48). 25 30

Revendications

1. Un article absorbant d'une seule pièce, à jeter après usage (20) comprenant une âme absorbante (44, 48) ayant une surface de vêtement (50), une surface de corps (52), des bords latéraux (46) et des bords de ceinture (47), une feuille de fond imperméable aux liquides (42) adjacente à ladite surface de vêtement (50) de ladite âme absorbante (44, 48) ; un rabat d'étanchéité (58) s'étendant vers l'extérieur à partir du et le long de chaque bord latéral (46) de ladite âme absorbante (44, 48) ; et un élément élastique à rabat (60) associé fonctionnellement avec chacun desdits rabat d'étanchéité (58) de manière à former des revers d'étanchéité (56) ; caractérisé en ce qu'un premier revers formant barrière (62) est adjacent à chacun desdits revers d'étanchéité (56) le long des bords longitudinaux (30) de l'article absorbant, chacun desdits premier revers formant barrière (62) ayant un premier bord proximal (64) et un premier bord distal (66), chacun desdits premiers bords proximaux (64) étant disposés à l'intérieur dudit élément élastique de rabat (60), de préférence à l'exté-

rieur desdits bords latéraux (46) de ladite âme absorbante (44, 48) ; un second revers formant barrière (262) est adjacent à chaque bord d'extrémité (32) de l'article absorbant (20) afin de s'étendre le long d'au moins une partie dudit bord d'extrémité, chacun desdits seconds revers formant barrière (262) ayant un second bord proximal (264) et un second bord distal (266) ; et lesdits premiers bords distaux (66) et lesdits seconds bords distaux (266) se recouvrent à au moins quatre coins (100) pour former une poche réservoir autour de la périphérie entière (28) de l'article absorbant (20).

2. Un article absorbant selon la revendication 1, comprenant en outre un moyen d'espacement (76), de préférence un élément d'espacement élastique (77) associé fonctionnellement avec chacun desdits premiers revers formant barrière (62) pour écarter lesdits premiers bords distaux (66) de la surface recevant le liquide (40) de l'article absorbant.
3. Un article absorbant selon l'une quelconque des revendications précédentes, comprenant en outre un moyen de fermeture (78) adjacent à chacun desdits coins (100) pour fixer ensemble lesdits premiers bords distaux (66) et lesdits seconds bords distaux (266) pour faire en sorte que lesdits premiers revers formant barrière (62) et lesdits seconds revers formant barrière (262) soient espacés de la surface recevant le liquide (40) de l'article absorbant par ledit moyen d'espacement (76).
4. Un article absorbant selon l'une quelconque des revendications 2 ou 3, dans lequel lesdits éléments d'espacement élastique (77) s'étendent longitudinalement le long dudit premier bord distal (66) au delà desdits seconds bords distaux (266).
5. Un article absorbant selon l'une quelconque des revendications précédentes, dans lequel lesdits premiers revers formant barrière (62) et lesdits seconds revers formant barrière (262) sont au moins hydrophobes et de préférence imperméables aux liquides.
6. Un article absorbant selon l'une quelconque des revendications précédentes, dans lequel lesdits premiers revers formant barrière (62) sont formés d'une seule pièce avec lesdits rabats latéraux (58).
7. Un article absorbant selon l'une quelconque des revendications précédentes, comprenant en outre un second revers d'étanchéité adjacent à

chaque bord d'extrémité (32) de l'article absorbant, chacun desdits seconds bords proximaux (264) desdits seconds revers formant barrière (262) étant disposés à l'intérieur desdits seconds revers d'étanchéité, de préférence entre ledit bord de ceinture (47) de ladite âme absorbante (44, 48) et ledit second revers d'étanchéité.

8. Un article absorbant selon l'une quelconque des revendications précédentes, comprenant en outre un second moyen d'espacement associé à chacun desdits seconds revers formant barrière (262) pour écarter lesdits seconds bords distaux (266) de la surface recevant le liquide (40) de l'article absorbant.
9. Un article absorbant selon l'une quelconque des revendications précédentes, comprenant en outre une feuille de dessus perméable aux liquides (38) adjacente à ladite surface de corps (52) de ladite âme absorbante (44, 48).

Patentansprüche

1. Ein integraler, wegwerfbarer, absorbierender Artikel (20), welcher aufweist einen absorbierenden Kern (44, 48) mit einer der Bekleidung zugewandten Oberfläche (50), einer dem Körper zugewandten Oberfläche (52), Seitenrändern (46) und Taillenrändern (47), ein flüssigkeitsundurchlässiges Rückseitenblatt (42), welches onliegend an die genannte Bekleidungs-oberfläche (50) des genannten absorbierenden Kernes (11, 18) angeordnet ist; einen dichten Lappen (58), welcher sich von jedem Seitenrand (46) des genannten absorbierenden Kernes (44, 48) nach außen und jeden Seitenrand (46) entlang erstreckt; und einen elastischen Lappenbauteil (60), welcher jedem der genannten dichten Lappen (58) wirksam zugeordnet ist, um dadurch dichtende Stulpen (56) zu bilden, **dadurch gekennzeichnet**, daß entlang der Längsränder (30) des absorbierenden Artikels eine erste Sperrstulpe (62) angrenzend an eine jede der genannten dichten Stulpen (56) angeordnet ist, wobei eine jede der genannten ersten Sperrstulpen (62) einen ersten proximalen Rand (64) und einen ersten distalen Rand (66) aufweist, wobei jeder der genannten ersten proximalen Ränder (64) innerhalb des genannten elastischen Lappenbauteiles (60), vorzugsweise außerhalb der genannten Seitenränder (46) des genannten absorbierenden Kernes (44, 48), angeordnet ist; daß eine zweite Sperrstulpe (282) anliegend an jeden Endrand (32) des absorbierenden Artikels (20) so angeordnet ist, um sich entlang mindestens eines Abschnittes des genannten Endrandes zu erstrecken, wobei jede der genannten zweiten Sperrstulpen (262) einen zweiten proximalen Rand (264) und einen zweiten distalen Rand (266) aufweist; und wobei die genannten ersten distalen Ränder (66) und die genannten zweiten distalen Ränder (266) an mindestens vier Eckpunkten (100) überlappen, um eine Behältertasche um die gesamte Peripherie (28) des absorbierenden Artikels (20) herum zu bilden.
2. Ein absorbierender Artikel nach Anspruch 1, welcher zusätzlich ein Distanzierungsmittel (76), vorzugsweise einen elastischen Distanzierungsbauteil (77), aufweist, welcher jeder der genannten ersten Sperrstulpen (62) wirksam zugeordnet ist, um die genannten ersten distalen Ränder (66) von der flüssigkeitsempfangenden Oberfläche (40) des absorbierenden Artikels weg entfernt zu halten.
3. Ein absorbierender Artikel nach einem der vorhergehenden Ansprüche, welcher zusätzlich eine Schließeinrichtung (78) aufweist, welche angrenzend an jeden der genannten Eckpunkte (100) angeordnet ist, um die genannten ersten distalen Ränder (66) und die genannten zweiten distalen Ränder (266) aneinander zu befestigen, um so die genannten ersten Sperrstulpen (62) und die genannten zweiten Sperrstulpen (262) zu veranlassen, von der flüssigkeitsaufnehmenden Oberfläche (40) des absorbierenden Artikels durch das genannte Distanzierungsmittel (76) entfernt gehalten zu werden.
4. Ein absorbierender Artikel nach einem der Ansprüche 2 oder 3, bei welchem die genannten elastischen Distanzierungsbauteile (77) sich länglich entlang dem genannten ersten distalen Rand (66) über die genannten zweiten distalen Ränder (266) hinaus erstrecken.
5. Ein absorbierender Artikel nach einem der vorhergehenden Ansprüche, bei welchem die genannten ersten Sperrstulpen (62) und die genannten zweiten Sperrstulpen (262) mindestens hydrophobisch, bevorzugter flüssigkeitsundurchlässig, sind.
6. Ein absorbierender Artikel nach einem der vorhergehenden Ansprüche, bei welchem die genannten ersten Sperrstulpen (62) mit den genannten Seitenlappen (58) einstückig sind.
7. Ein absorbierender Artikel nach einem der vorhergehenden Ansprüche, welcher zusätzlich eine zweite dichtende Stulpe aufweist, welche

- angrenzend an jeden Endrand (32) des absorbierenden Artikels positioniert ist, wobei jeder der genannten zweiten proximalen Ränder (264) der genannten zweiten Sperrstulpen (262) innerhalb der genannten zweiten dichtenden Stulpen, vorzugsweise zwischen dem genannten Tailienrand (47) des genannten absorbierenden Kernes (44, 48) und der genannten zweiten dichtenden Stulpe, angeordnet ist. 5 10
8. Ein absorbierender Artikel nach einem der vorhergehenden Ansprüche, welcher zusätzlich ein zweites Distanzierungsmittel aufweist, welches jeder der genannten zweiten Sperrstulpen (262) zugeordnet ist, um die genannten zweiten distalen Ränder (266) von der flüssigkeitsempfangenden Oberfläche (40) des absorbierenden Artikels weg im Abstand zu halten. 15
9. Ein absorbierender Artikels nach einem der vorhergehenden Ansprüche, welcher weiters ein flüssigkeitsdurchlässiges Deckblatt (38) aufweist, welches der genannten dem Körper zugewandten Oberfläche (52) des genannten absorbierenden Kernes (44, 48) benachbart angeordnet ist. 20 25

30

35

40

45

50

55

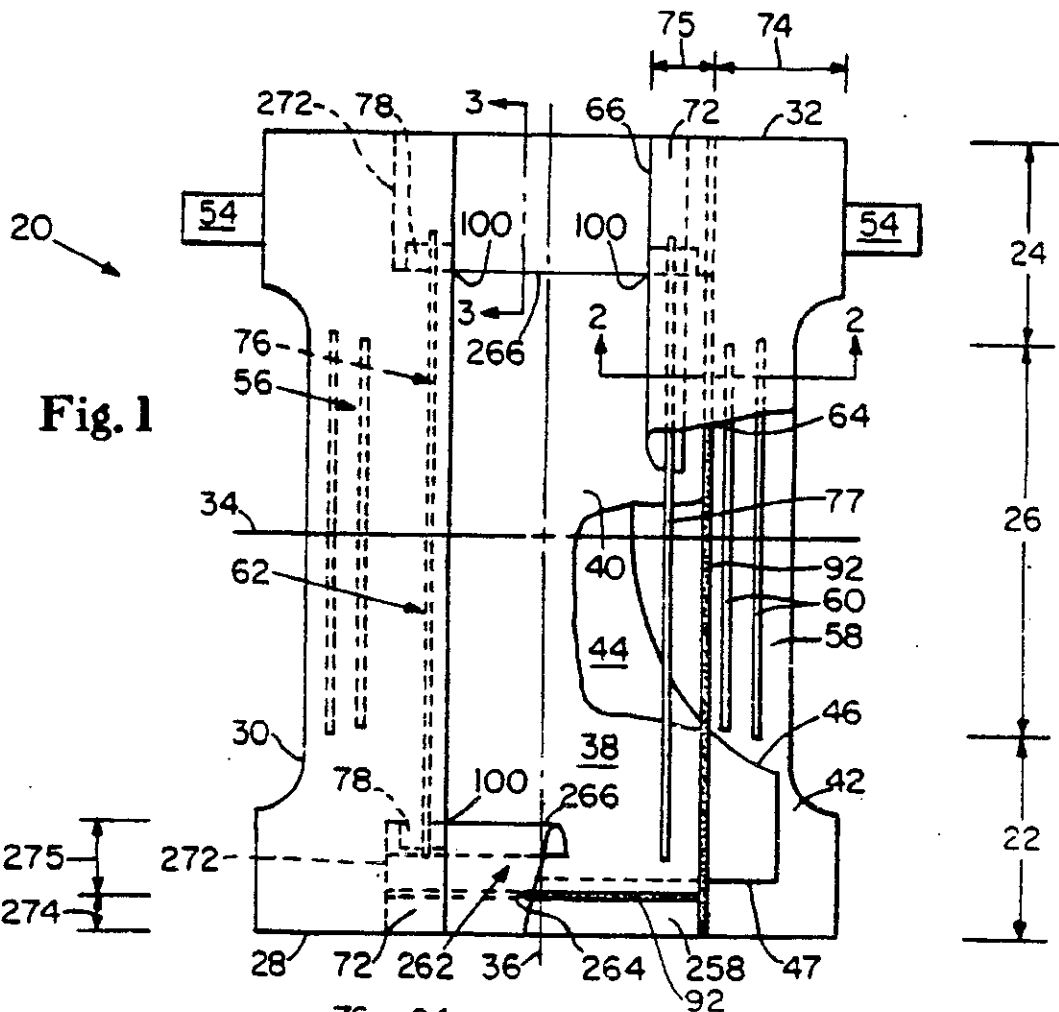


Fig. 1

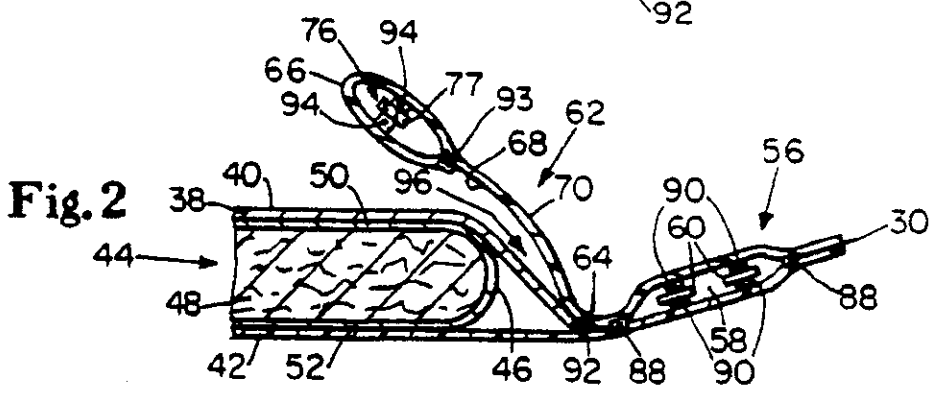


Fig. 2

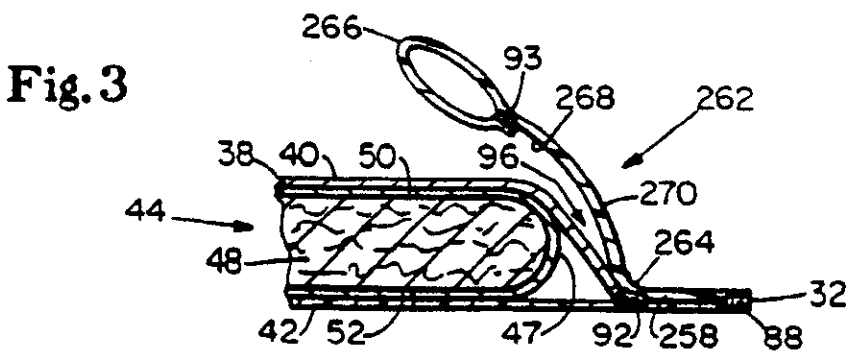


Fig. 3

REGISTER ENTRY FOR EP0264238

European Application No EP87308971.8 filing date 09.10.1987

Priority claimed:

10.10.1986 in United States of America - doc: 917452

Designated States BE CH DE ES FR GB GR IT LI LU NL SE AT

Title ABSORBENT ARTICLE HAVING A CONTAINMENT POCKET

Applicant/Proprietor

THE PROCTER & GAMBLE COMPANY, One Procter & Gamble Plaza, Cincinnati Ohio
45202, United States of America [ADP No. 50339258001]

Inventor

JOHN H. FOREMAN, 4447 Woodtrail Lane, Cincinnati Ohio 45239, United States
of America [ADP No. 55609937001]

Classified to

A3V
A61F A41B

Address for Service

TONY NICHOLAS GIBSON, Procter & Gamble (NTC) Limited Whitley Road,
Longbenton Newcastle upon Tyne NE12 9TS, United Kingdom
[ADP No. 50840834001]

EPO Representative

TONY NICHOLAS GIBSON, Procter & Gamble (NTC) Limited Whitley Road,
Longbenton Newcastle upon Tyne NE12 9TS, United Kingdom
[ADP No. 50840834001]

Publication No EP0264238 dated 20.04.1988

Publication in English

Examination requested 09.10.1987

Patent Granted with effect from 25.09.1991 (Section 25(1)) with title
ABSORBENT ARTICLE HAVING A CONTAINMENT POCKET

20.07.1992 EPO: Opposition filed on 25.06.1992

Entry Type 25.1 Staff ID. RD06 Auth ID. EPT

**** END OF REGISTER ENTRY ****

OAS0-01
EP

OPTICS - PATENTS

25/03/94 16:26:08
PAGE: 1

RENEWAL DETAILS

PUBLICATION NUMBER EP0264238

PROPRIETOR(S)

THE PROCTER & GAMBLE COMPANY, One Procter & Gamble Plaza,
Cincinnati Ohio 45202, United States of America

DATE FILED 09.10.1987

DATE GRANTED 25.09.1991

DATE NEXT RENEWAL DUE 09.10.1994

DATE NOT IN FORCE

DATE OF LAST RENEWAL 29.09.1993

YEAR OF LAST RENEWAL 07

STATUS PATENT IN FORCE