

(19) World Intellectual Property Organization
International Bureau



(43) International Publication Date
5 March 2009 (05.03.2009)

PCT

(10) International Publication Number
WO 2009/027920 A3

(51) International Patent Classification:

A61B 6/12 (2006.01) A61B 8/00 (2006.01)
A61B 17/22 (2006.01) A61N 7/00 (2006.01)

(21) International Application Number:

PCT/IB2008/053397

(22) International Filing Date: 25 August 2008 (25.08.2008)

(25) Filing Language: English

(26) Publication Language: English

(30) Priority Data:

60/969,207 31 August 2007 (31.08.2007) US

(71) Applicant (for all designated States except US): **KONINKLIJKE PHILIPS ELECTRONICS N.V.** [NL/NL]; Groenewoudseweg 1, NL-5621 BA Eindhoven (NL).

(72) Inventors; and

(75) Inventors/Applicants (for US only): **HALL, Christopher, S.** [GB/US]; c/o High Tech Campus, Building 44, NL-5656 AE Eindhoven (NL). **FERNANDEZ, Anna, T.**

[US/US]; c/o High Tech Campus, Building 44, NL-5656 AE Eindhoven (NL). **SUIJVER, Jan, F.** [NL/NL]; c/o High Tech Campus, Building 44, NL-5656 AE Eindhoven (NL).

(74) Agents: **VAN VELZEN, Maaike, M.** et al.; High Tech Campus, Building 44, NL-5656 AE Eindhoven (NL).

(81) Designated States (unless otherwise indicated, for every kind of national protection available): AE, AG, AL, AM, AO, AT, AU, AZ, BA, BB, BG, BH, BR, BW, BY, BZ, CA, CH, CN, CO, CR, CU, CZ, DE, DK, DM, DO, DZ, EC, EE, EG, ES, FI, GB, GD, GE, GH, GM, GT, HN, HR, HU, ID, IL, IN, IS, JP, KE, KG, KM, KN, KP, KR, KZ, LA, LC, LK, LR, LS, LT, LU, LY, MA, MD, ME, MG, MK, MN, MW, MX, MY, MZ, NA, NG, NI, NO, NZ, OM, PG, PH, PL, PT, RO, RS, RU, SC, SD, SE, SG, SK, SL, SM, ST, SV, SY, TJ, TM, TN, TR, TT, TZ, UA, UG, US, UZ, VC, VN, ZA, ZM, ZW.

(84) Designated States (unless otherwise indicated, for every kind of regional protection available): ARIPO (BW, GH, GM, KE, LS, MW, MZ, NA, SD, SL, SZ, TZ, UG, ZM, ZW), Eurasian (AM, AZ, BY, KG, KZ, MD, RU, TJ, TM),

[Continued on next page]

(54) Title: AN ULTRASOUND DEVICE FOR DETECTING PRESENCE OR ABSENCE OF CAVITATION EVENTS

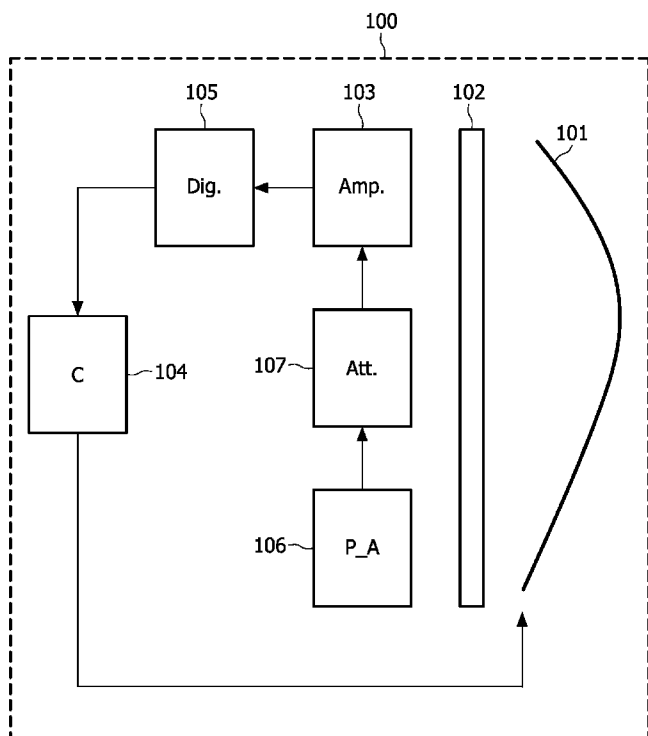


FIG. 1

(57) Abstract: This invention relates to an ultrasound device for detecting presence or absence of cavitation events. An ultrasound transducer receives emitted and reflected ultrasound waves from tissues within a specific target volume and the received ultrasound waves are subsequently converted into a detection signal. A control unit then processes the detected signal for determining whether a cavitation event is detected. A liquid lens having an adjustable focal point is placed in front of the ultrasound transducer such that the received ultrasound waves go through the liquid lens prior to be received by the ultrasound transducer. The lens is controlled by the control unit such that in response to a detection of a cavitation event the focal position of the lens is adjusted substantially closer to the spatial location of the detected cavitation event.

WO 2009/027920 A3



European (AT, BE, BG, CH, CY, CZ, DE, DK, EE, ES, FI, FR, GB, GR, HR, HU, IE, IS, IT, LT, LU, LV, MC, MT, NL, NO, PL, PT, RO, SE, SI, SK, TR), OAPI (BF, BJ, CF, CG, CI, CM, GA, GN, GQ, GW, ML, MR, NE, SN, TD, TG).

Published:

- *with international search report*
- *before the expiration of the time limit for amending the claims and to be republished in the event of receipt of amendments*

Declarations under Rule 4.17:

- *as to applicant's entitlement to apply for and be granted a patent (Rule 4.17(ii))*
- *as to the applicant's entitlement to claim the priority of the earlier application (Rule 4.17(iii))*

(88) Date of publication of the international search report:
23 April 2009

INTERNATIONAL SEARCH REPORT

International application No
PCT/IB2008/053397

A. CLASSIFICATION OF SUBJECT MATTER		
INV. A61B6/12	A61B17/22	
ADD. A61B8/00	A61N7/00	
According to International Patent Classification (IPC) or to both national classification and IPC		
B. FIELDS SEARCHED		
Minimum documentation searched (classification system followed by classification symbols) A61N A61B G10K G01S		
Documentation searched other than minimum documentation to the extent that such documents are included in the fields searched		
Electronic data base consulted during the international search (name of data base and, where practical, search terms used) EPO-Internal, WPI Data		
C. DOCUMENTS CONSIDERED TO BE RELEVANT		
Category*	Citation of document, with indication, where appropriate, of the relevant passages	Relevant to claim No.
X	US 2006/074314 A1 (SLAYTON MICHAEL H [US] ET AL) 6 April 2006 (2006-04-06)	1,8,9
Y	abstract paragraphs [0027], [0029], [0041] - [0043], [0045], [0053], [0054], [0059], [0060] figures 4A,11	2-7
Y.	----- WO 03/069380 A (KONINKL PHILIPS ELECTRONICS NV [NL]; FEENSTRA BOKKE J [NL]; KUIPER STE) 21 August 2003 (2003-08-21) cited in the application figures 1-3 abstract page 3, line 10 - page 4, line 10 ----- -/--	2-7
<input checked="" type="checkbox"/> Further documents are listed in the continuation of Box C. <input checked="" type="checkbox"/> See patent family annex.		
* Special categories of cited documents : *A* document defining the general state of the art which is not considered to be of particular relevance *E* earlier document but published on or after the international filing date *L* document which may throw doubts on priority claim(s) or which is cited to establish the publication date of another citation or other special reason (as specified) *O* document referring to an oral disclosure, use, exhibition or other means *P* document published prior to the international filing date but later than the priority date claimed *T* later document published after the international filing date or priority date and not in conflict with the application but cited to understand the principle or theory underlying the invention *X* document of particular relevance; the claimed invention cannot be considered novel or cannot be considered to involve an inventive step when the document is taken alone *Y* document of particular relevance; the claimed invention cannot be considered to involve an inventive step when the document is combined with one or more other such documents, such combination being obvious to a person skilled in the art. *Z* document member of the same patent family		
Date of the actual completion of the international search 28 January 2009		Date of mailing of the international search report 10/02/2009
Name and mailing address of the ISA European Patent Office, P.B. 5818 Patentlaan 2 NL - 2280 HV Rijswijk Tel. (+31-70) 340-2040, Fax: (+31-70) 340-3016		Authorized officer Jansen, Birte

INTERNATIONAL SEARCH REPORT

International application No

PCT/IB2008/053397

C(Continuation). DOCUMENTS CONSIDERED TO BE RELEVANT

Category*	Citation of document, with indication, where appropriate, of the relevant passages	Relevant to claim No.
A	EP 0 355 177 A (SIEMENS AG [DE]) 28 February 1990 (1990-02-28) abstract column 3, line 13 - line 18 column 6, line 35 - column 7, line 8 column 7, line 42 - column 8, line 10 column 11, line 20 - line 27 -----	1-12
A	EP 0 511 506 A (DORNIER MEDIZINTECHNIK [DE]) 4 November 1992 (1992-11-04) column 2, line 29 - column 3, line 12 figure 2 -----	1-12

INTERNATIONAL SEARCH REPORT

Information on patent family members

International application No PCT/IB2008/053397

Patent document cited in search report	Publication date	Publication date	Patent family member(s)	Publication date
US 2006074314	A1	06-04-2006	NONE	
<hr style="border-top: 1px dashed black;"/>				
WO 03069380	A	21-08-2003	AT 347116 T	15-12-2006
			AU 2003201481 A1	04-09-2003
			CN 101002115 A	18-07-2007
			DE 60310037 T2	21-06-2007
			JP 2005518052 T	16-06-2005
			US 2005113912 A1	26-05-2005
<hr style="border-top: 1px dashed black;"/>				
EP 0355177	A	28-02-1990	JP 2028214 U	23-02-1990
			US 5009232 A	23-04-1991
<hr style="border-top: 1px dashed black;"/>				
EP 0511506	A	04-11-1992	DE 4113697 A1	05-11-1992
			JP 2530796 B2	04-09-1996
			JP 6022974 A	01-02-1994
			US 5287856 A	22-02-1994
<hr style="border-top: 1px dashed black;"/>				