

(19) World Intellectual Property Organization
International Bureau



(43) International Publication Date
2 December 2010 (02.12.2010)

(10) International Publication Number
WO 2010/138541 A3

(51) International Patent Classification:

G01P 15/135 (2006.01) G08B 13/04 (2006.01)
G01P 15/09 (2006.01) G08B 13/08 (2006.01)
G01P 15/105 (2006.01) G08B 13/12 (2006.01)
G08B 13/02 (2006.01)

(21) International Application Number:

PCT/US2010/036129

(22) International Filing Date:

26 May 2010 (26.05.2010)

(25) Filing Language:

English

(26) Publication Language:

English

(30) Priority Data:

12/472,161 26 May 2009 (26.05.2009) US

(72) Inventor; and

(71) Applicant : SCRIPT, Michael, H. [US/US]; 4240 Ridge
Lea Road, Amherst, NY 14226 (US).

(74) Agent: DUFT, Walter, W.; 8616 Main Street, Suite 2,
Williamsville, NY 14221 (US).

(81) Designated States (unless otherwise indicated, for every
kind of national protection available): AE, AG, AL, AM,
AO, AT, AU, AZ, BA, BB, BG, BH, BR, BW, BY, BZ,
CA, CH, CL, CN, CO, CR, CU, CZ, DE, DK, DM, DO,

DZ, EC, EE, EG, ES, FI, GB, GD, GE, GH, GM, GT,
HN, HR, HU, ID, IL, IN, IS, JP, KE, KG, KM, KN, KP,
KR, KZ, LA, LC, LK, LR, LS, LT, LU, LY, MA, MD,
ME, MG, MK, MN, MW, MX, MY, MZ, NA, NG, NI,
NO, NZ, OM, PE, PG, PH, PL, PT, RO, RS, RU, SC, SD,
SE, SG, SK, SL, SM, ST, SV, SY, TH, TJ, TM, TN, TR,
TT, TZ, UA, UG, US, UZ, VC, VN, ZA, ZM, ZW.

(84) Designated States (unless otherwise indicated, for every
kind of regional protection available): ARIPO (BW, GH,

GM, KE, LR, LS, MW, MZ, NA, SD, SL, SZ, TZ, UG,
ZM, ZW), Eurasian (AM, AZ, BY, KG, KZ, MD, RU, TJ,
TM), European (AL, AT, BE, BG, CH, CY, CZ, DE, DK,
EE, ES, FI, FR, GB, GR, HR, HU, IE, IS, IT, LT, LU,
LV, MC, MK, MT, NL, NO, PL, PT, RO, SE, SI, SK,
SM, TR), OAPI (BF, BJ, CF, CG, CI, CM, GA, GN, GQ,
GW, ML, MR, NE, SN, TD, TG).

Published:

- with international search report (Art. 21(3))
- before the expiration of the time limit for amending the
claims and to be republished in the event of receipt of
amendments (Rule 48.2(h))

(88) Date of publication of the international search report:

31 March 2011

(54) Title: PORTABLE MOTION DETECTOR AND ALARM SYSTEM AND METHOD

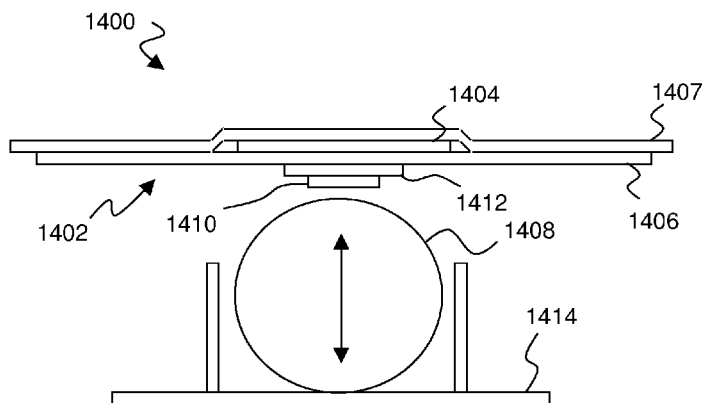


FIG. 44B

(57) Abstract: A portable security alarm system including a movement detecting and signal transmitting member for mounting on or proximate to the object whose movement is to be detected, a signal receiving and alarm generating member for receiving a signal from the movement detecting and signal transmitting member and producing a security response, a remote control for actuating and deactuating the signal receiving and alarm generating member, an environmental monitoring member for sensing an environmental condition and providing a signal to the signal receiving and alarm generating member, a visual information gathering member for gathering visual information and providing a signal to the signal receiving and alarm generating member, an audio output member for receiving a signal from the signal receiving and alarm generating member and generating an audio output, and components for delivering a security notification to remote recipients. A security network that includes the alarm system is also disclosed. An inertial sensor for alarm system or for activating or deactivating a device is additionally disclosed.



WO 2010/138541 A3

A. CLASSIFICATION OF SUBJECT MATTER

G01P 15/135(2006.01)i, G01P 15/09(2006.01)i, G01P 15/105(2006.01)i, G08B 13/02(2006.01)i, G08B 13/04(2006.01)i, G08B 13/08(2006.01)i, G08B 13/12(2006.01)i

According to International Patent Classification (IPC) or to both national classification and IPC

B. FIELDS SEARCHED

Minimum documentation searched (classification system followed by classification symbols)

G01P 15/135; G01P 9/04; G01P 15/08; G01P 15/125; G01P 15/02; G01C 19/56

Documentation searched other than minimum documentation to the extent that such documents are included in the fields searched

Korean utility models and applications for utility models

Japanese utility models and applications for utility models

Electronic data base consulted during the international search (name of data base and, where practicable, search terms used)

eKOMPASS(KIPO internal) & Keywords: "INERTIA," "SENSOR," "DETECTOR," "PIEZOELECTRIC," "TRANSDUCER" AND "MAGNET"

C. DOCUMENTS CONSIDERED TO BE RELEVANT

Category*	Citation of document, with indication, where appropriate, of the relevant passages	Relevant to claim No.
X	KR 10-0590151 B1 (FUJITSU MEDIA DEVICES LIMITED, FUJITSU LIMITED)	1
Y	See the abstract; figures 4, 6 & 9; claims 1-8	2-13
Y	KR 10-2005-0044883 A (KWON, DAE WOONG) 13 May 2005 See the abstract; figures 1-3; claims 1-3	2-13
A	JP 2006-234443 A (NATIONAL INSTITUTE OF ADVANCED INDUSTRIAL & TECHNOLOGY et al.) 07 September 2006 See the abstract; figures 1-3; claims 1-11	1-20
A	JP 2009-052899 A (MITSUBISHI ELECTRIC CORP.) 12 March 2009 See the abstract; figures 1-5; claims 1-9	1-20
A	JP 2007-309653 A (SONY CORP.) 29 November 2007 See the abstract; figures 1-3; claims 1-8	1-20

Further documents are listed in the continuation of Box C.

See patent family annex.

* Special categories of cited documents:

"A" document defining the general state of the art which is not considered to be of particular relevance

"E" earlier application or patent but published on or after the international filing date

"L" document which may throw doubts on priority claim(s) or which is cited to establish the publication date of citation or other special reason (as specified)

"O" document referring to an oral disclosure, use, exhibition or other means

"P" document published prior to the international filing date but later than the priority date claimed

"T" later document published after the international filing date or priority date and not in conflict with the application but cited to understand the principle or theory underlying the invention

"X" document of particular relevance; the claimed invention cannot be considered novel or cannot be considered to involve an inventive step when the document is taken alone

"Y" document of particular relevance; the claimed invention cannot be considered to involve an inventive step when the document is combined with one or more other such documents, such combination being obvious to a person skilled in the art

"&" document member of the same patent family

Date of the actual completion of the international search

24 JANUARY 2011 (24.01.2011)

Date of mailing of the international search report

25 JANUARY 2011 (25.01.2011)

Name and mailing address of the ISA/KR



Korean Intellectual Property Office
Government Complex-Daejeon, 139 Seonsa-ro, Seo-gu, Daejeon 302-701, Republic of Korea

Facsimile No. 82-42-472-7140

Authorized officer

Cho Sung Chan

Telephone No. 82-42-481-8462



INTERNATIONAL SEARCH REPORT

Information on patent family members

International application No.

PCT/US2010/036129

Patent document cited in search report	Publication date	Patent family member(s)	Publication date
KR 10-0590151 B1	19.06.2006	CN 1721858 A	18.01.2006
		CN 1721858 C0	18.01.2006
		EP 1617227 A2	18.01.2006
		EP 1617227 A3	14.05.2008
		JP 2006-029827 A	02.02.2006
		US 2006-0005629 A1	12.01.2006
		US 7069789 B2	04.07.2006
KR 10-2005-0044883 A	13.05.2005	None	
JP 2006-234443 A	07.09.2006	None	
JP 2009-052899 A	12.03.2009	None	
JP 2007-309653 A	29.11.2007	None	