



US00D772132S

(12) **United States Design Patent** (10) **Patent No.:** **US D772,132 S**  
**Kong** (45) **Date of Patent:** **\*\* Nov. 22, 2016**

(54) **VEHICLE WHEEL**  
(71) Applicant: **Wheel Pros, LLC**, Greenwood Village,  
CO (US)

D698,300 S \* 1/2014 Chung ..... D12/211  
D707,168 S \* 6/2014 Chan ..... D12/209  
D712,333 S \* 9/2014 Chung ..... D12/211  
D726,630 S \* 4/2015 Kong ..... D12/211  
2014/0116593 A1 \* 5/2014 Lucaora ..... F16F 15/324  
152/427

(72) Inventor: **Yee Wan Kong**, Anaheim, CA (US)

\* cited by examiner

(73) Assignee: **Wheel Pros, LLC**

*Primary Examiner* — Ian Simmons

(\*\*) Term: **14 Years**

*Assistant Examiner* — Samantha Q Lawrence

(21) Appl. No.: **29/504,360**

(74) *Attorney, Agent, or Firm* — KC Bean, Esq.

(22) Filed: **Oct. 5, 2014**

(57) **CLAIM**

The ornamental design of vehicle wheel, as shown and described.

(51) **LOC (10) Cl.** ..... **12-16**

(52) **U.S. Cl.**

**DESCRIPTION**

USPC ..... **D12/211**

(58) **Field of Classification Search**

USPC ..... D12/204–213; 301/37.101, 64.101, 65  
See application file for complete search history.

FIG. 1 is a front perspective view of a vehicle wheel showing the new design; and, FIG. 2 is a front view thereof.

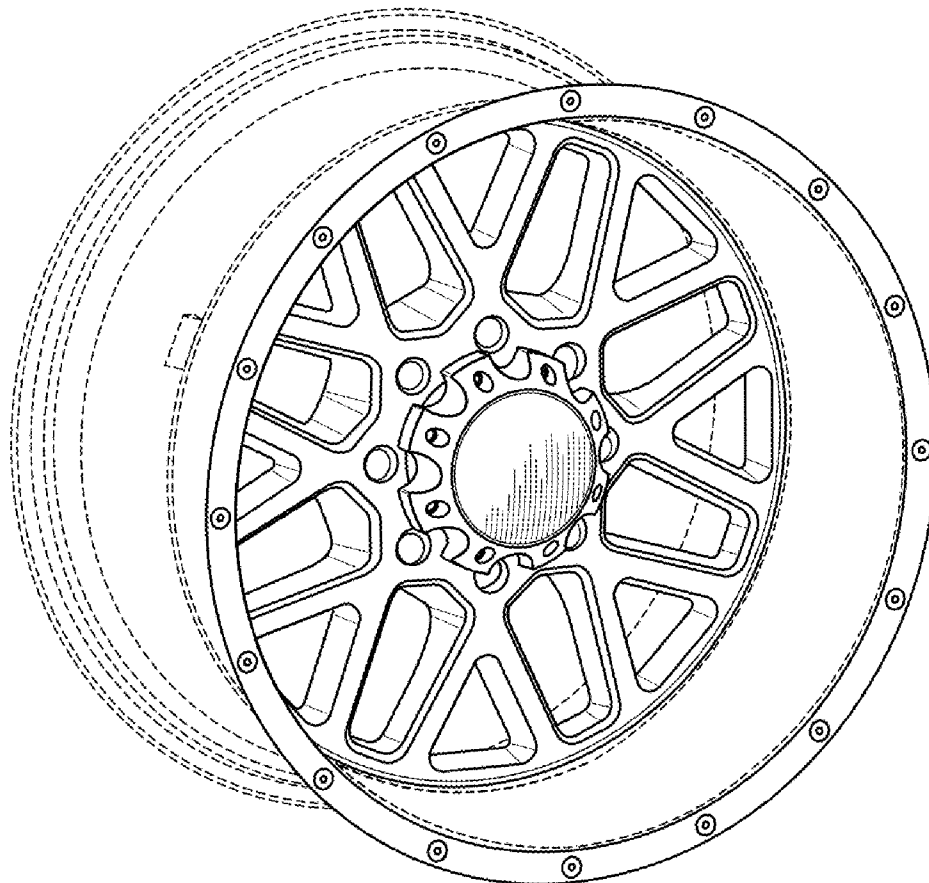
The broken lines shown in FIG. 1 illustrates portions of the vehicle wheel that forms no part of the claimed design. The broken lines residing on the inner edge of the wheel shown in FIGS. 1 and 2 indicate boundary lines of the vehicle wheel and form no part of the claimed design.

(56) **References Cited**

**U.S. PATENT DOCUMENTS**

D684,101 S \* 6/2013 Alfonso ..... D12/211  
D695,182 S \* 12/2013 Chung ..... D12/209

**1 Claim, 2 Drawing Sheets**



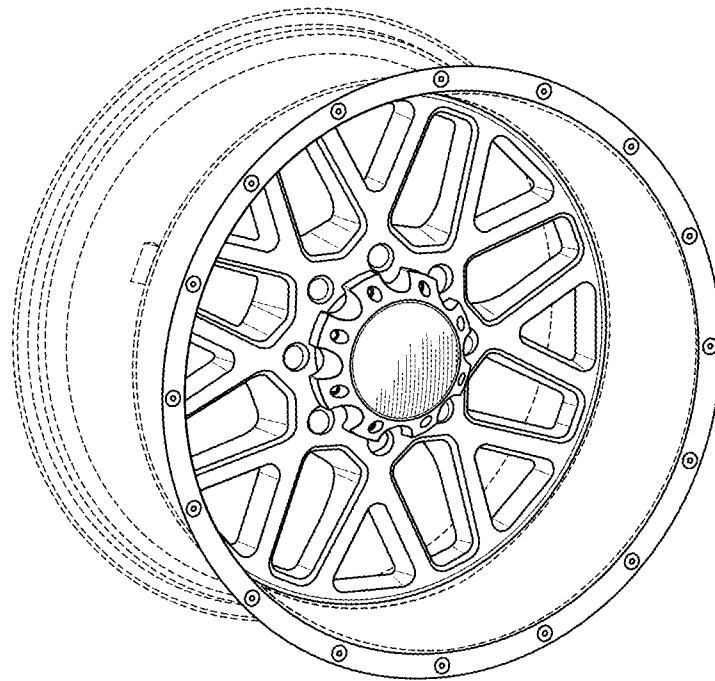


FIG. 1

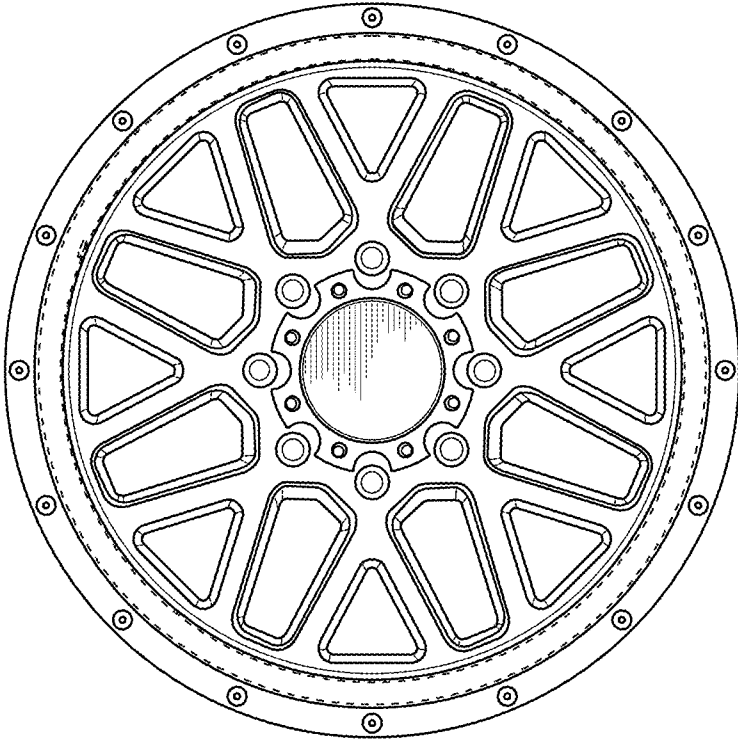


FIG. 2