



US0D1047273S

(12) **United States Design Patent**
Banner

(10) **Patent No.:** **US D1,047,273 S**

(45) **Date of Patent:** **** Oct. 15, 2024**

(54) **MATCH CASE**

(71) Applicant: **InstaFire, LLC**, Salt Lake City, UT (US)

(72) Inventor: **Konel S. Banner**, Ogden, UT (US)

(73) Assignee: **INSTAFIRE, LLC**, Salt Lake City, UT (US)

(**) Term: **15 Years**

(21) Appl. No.: **29/878,067**

(22) Filed: **Jun. 15, 2023**

(51) **LOC (14) Cl.** **27-01**

(52) **U.S. Cl.**
USPC **D27/173**

(58) **Field of Classification Search**
USPC D3/205, 206; D27/173
CPC B65D 85/109; A24F 27/00
See application file for complete search history.

(56) **References Cited**

U.S. PATENT DOCUMENTS

- 1,205,510 A * 11/1916 Brown A24F 27/00
206/811
- 1,470,154 A * 10/1923 Draughon A24F 17/00
206/102
- D134,829 S * 1/1943 Brown D27/174

- D198,409 S * 6/1964 Ehram D27/173
- D248,337 S * 6/1978 Marx D3/284
- D282,786 S * 2/1986 Cho D27/170
- D442,330 S * 5/2001 Cousins D27/173
- D710,537 S * 8/2014 Jackson D27/173
- D828,595 S * 9/2018 Lake D26/38
- D922,759 S * 6/2021 Valletta D3/201
- 2017/0231272 A1* 8/2017 Pontano A24F 27/00
206/101

* cited by examiner

Primary Examiner — Charles D Hanson
(74) *Attorney, Agent, or Firm* — Perkins Coie LLP

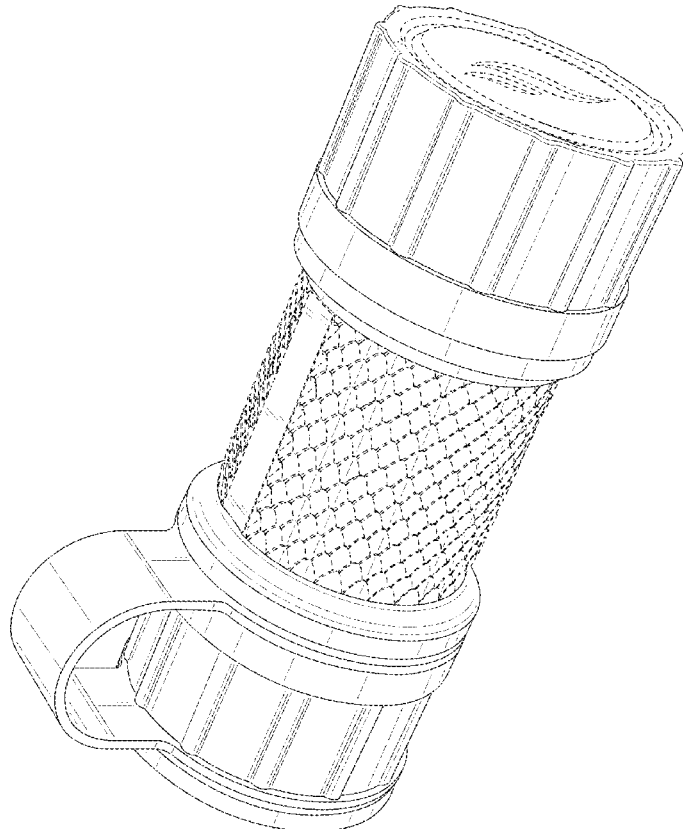
(57) **CLAIM**

The ornamental design for a match case as shown and described.

DESCRIPTION

FIG. 1 is a perspective view of a match case showing my new design.
 FIG. 2 is a right-side perspective view thereof.
 FIG. 3 is a left-side perspective view thereof.
 FIG. 4 is a front perspective view thereof.
 FIG. 5 is a rear perspective view thereof.
 FIG. 6 is a top perspective view thereof; and,
 FIG. 7 is a bottom perspective view thereof.
 Any broken lines, colors, and/or patterns in the drawing are for illustrative purposes only and form no part of the claimed design.

1 Claim, 7 Drawing Sheets



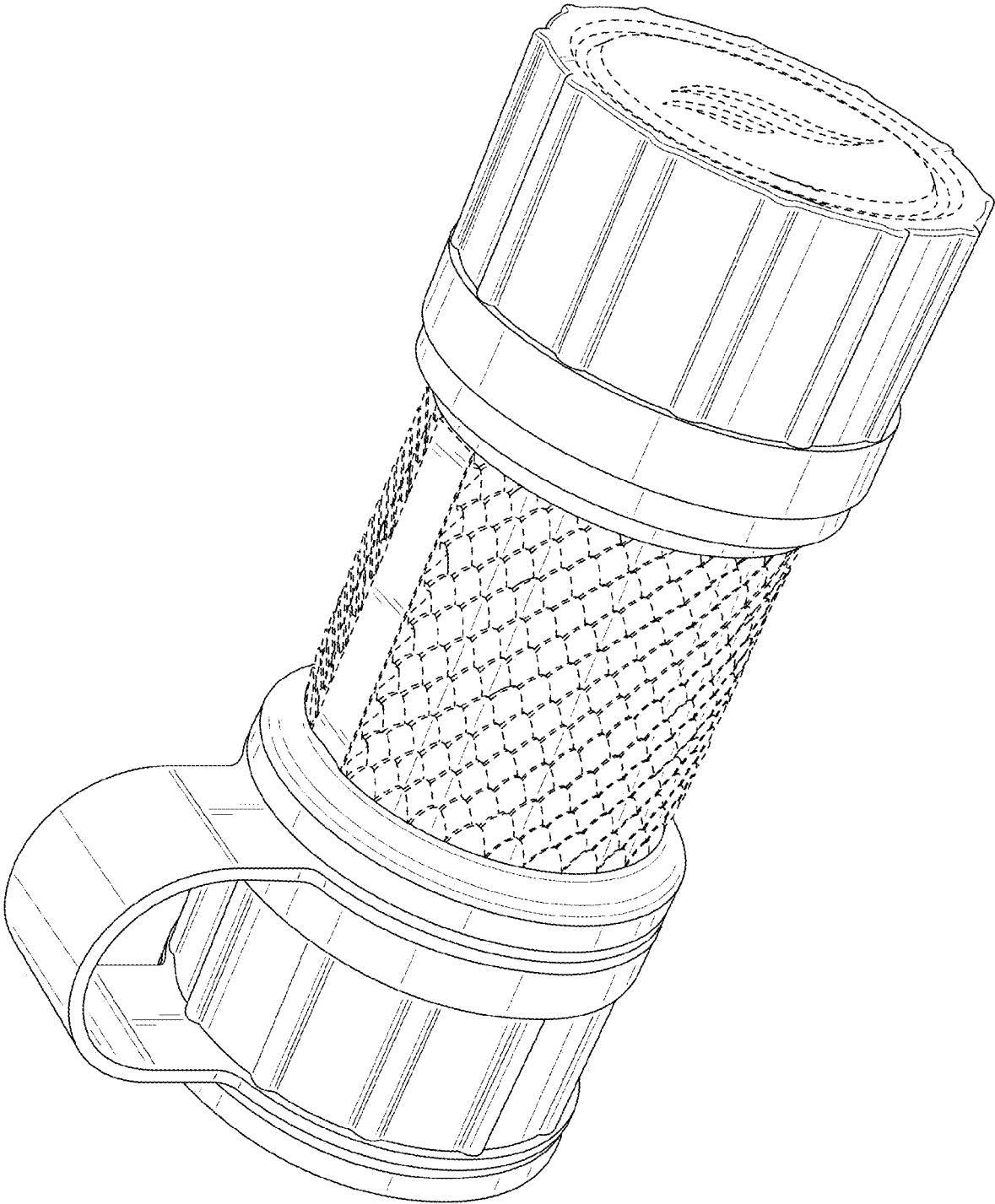


Fig. 1

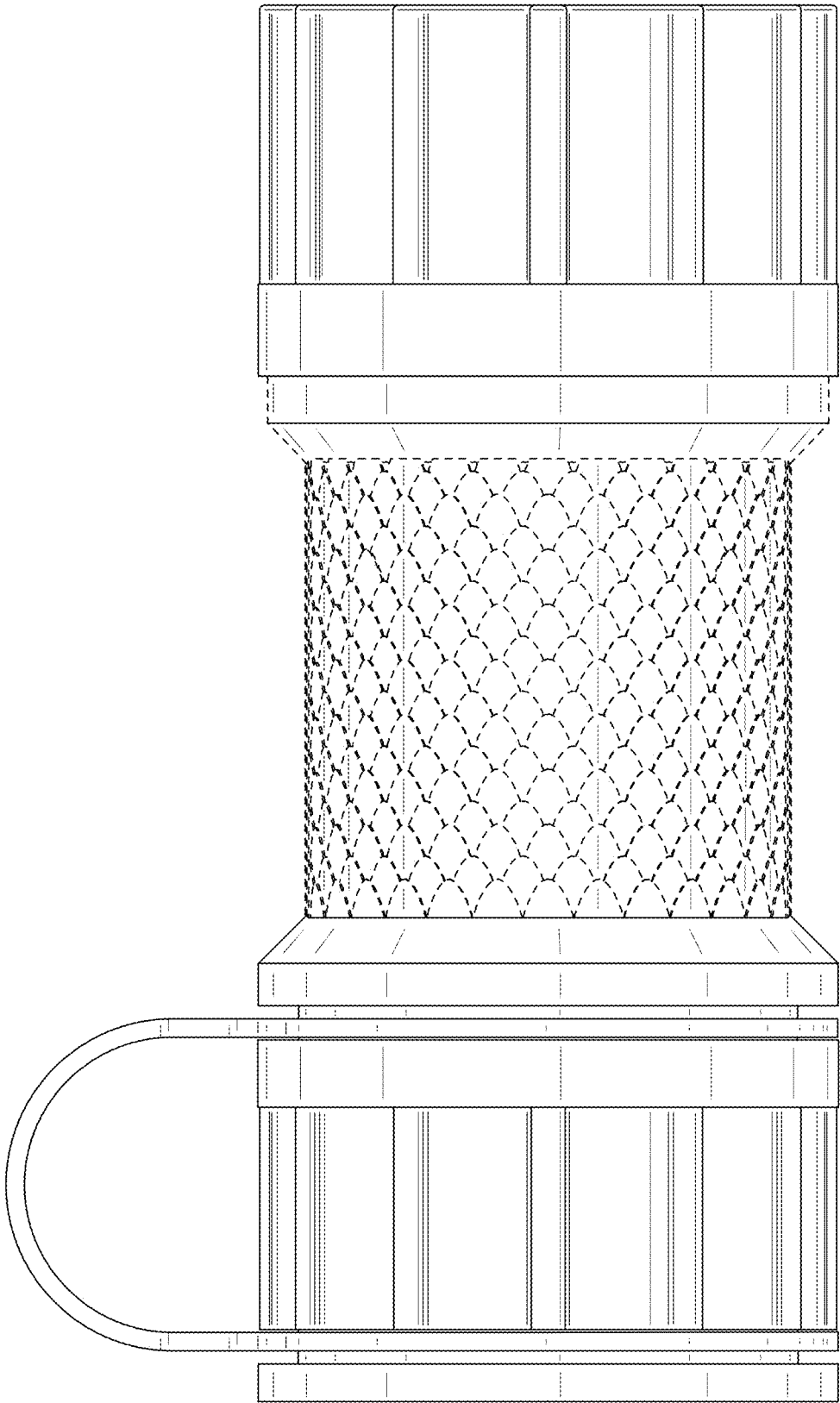


Fig. 2

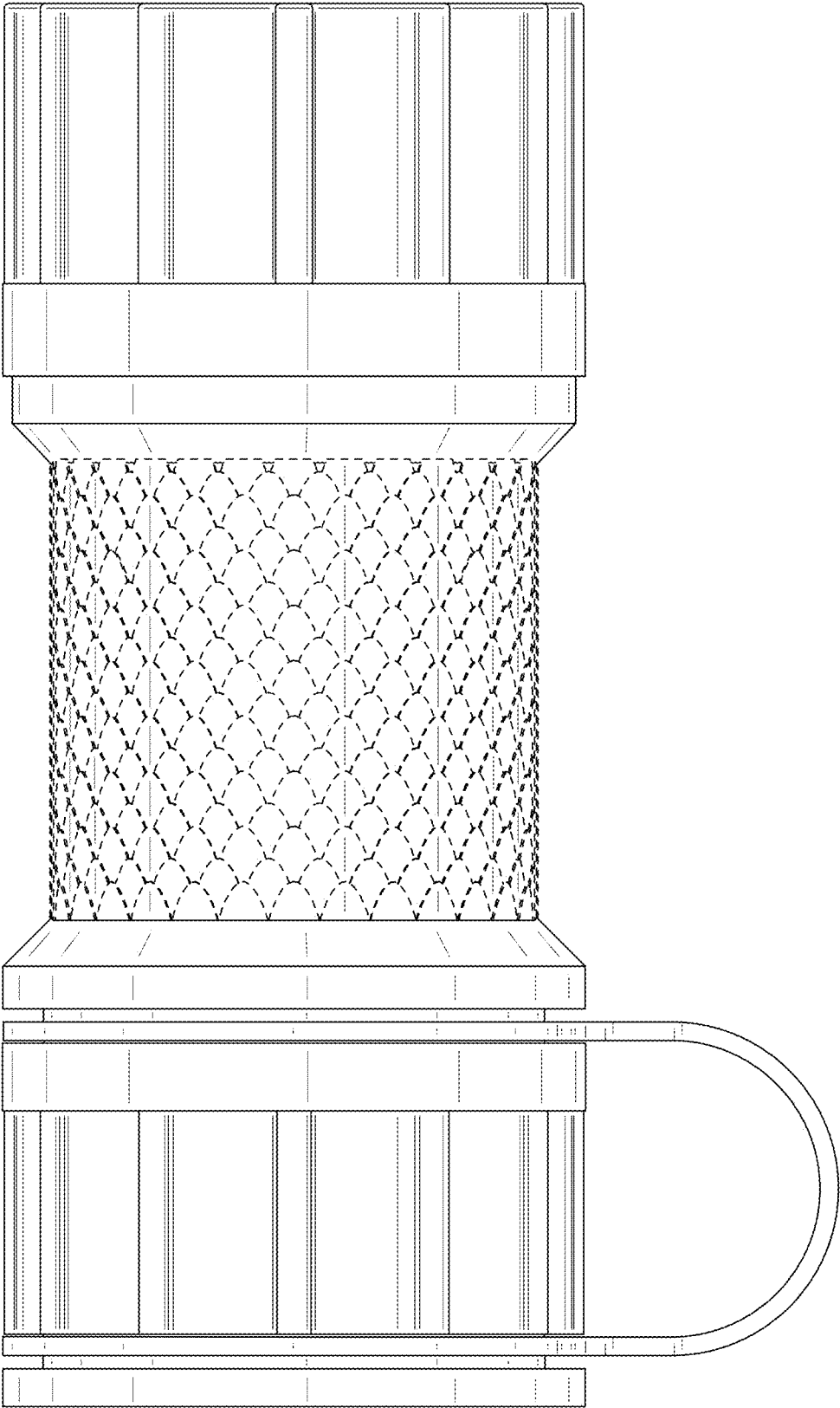


Fig. 3

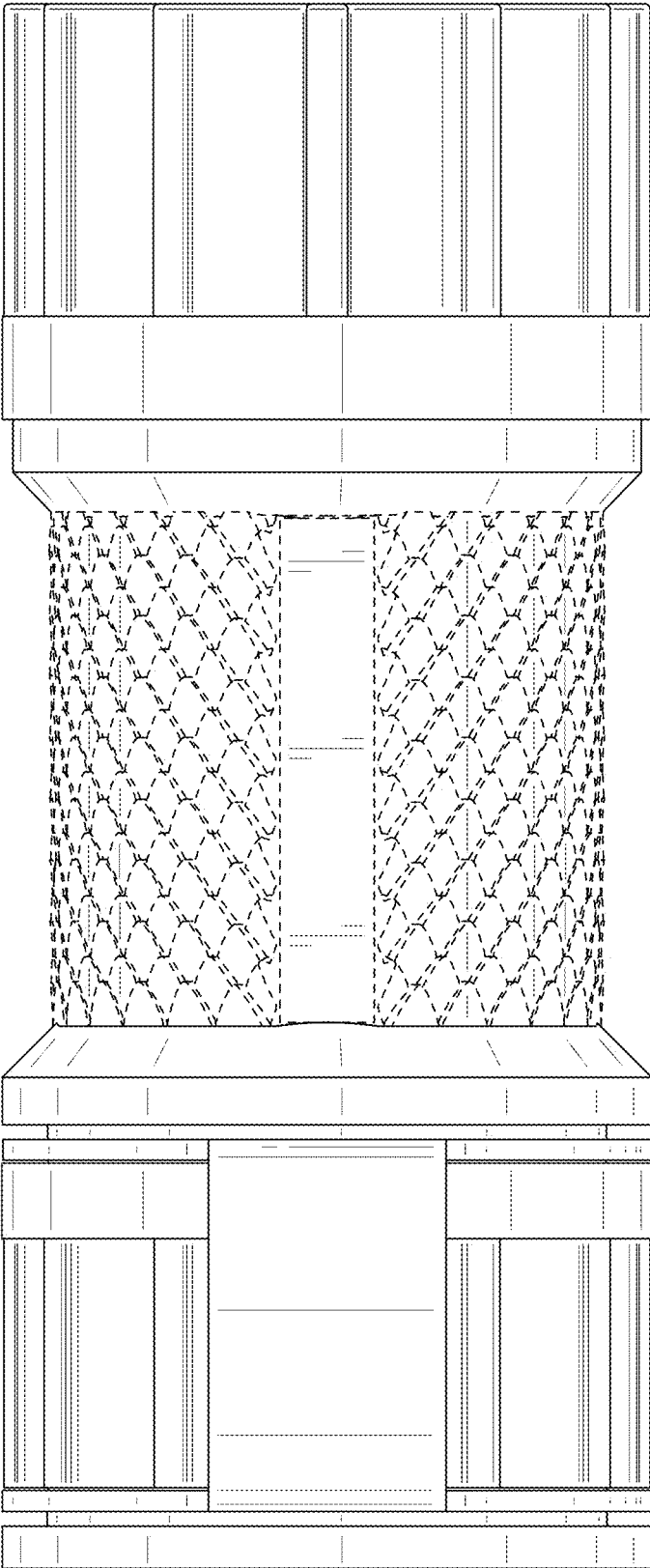


Fig. 4

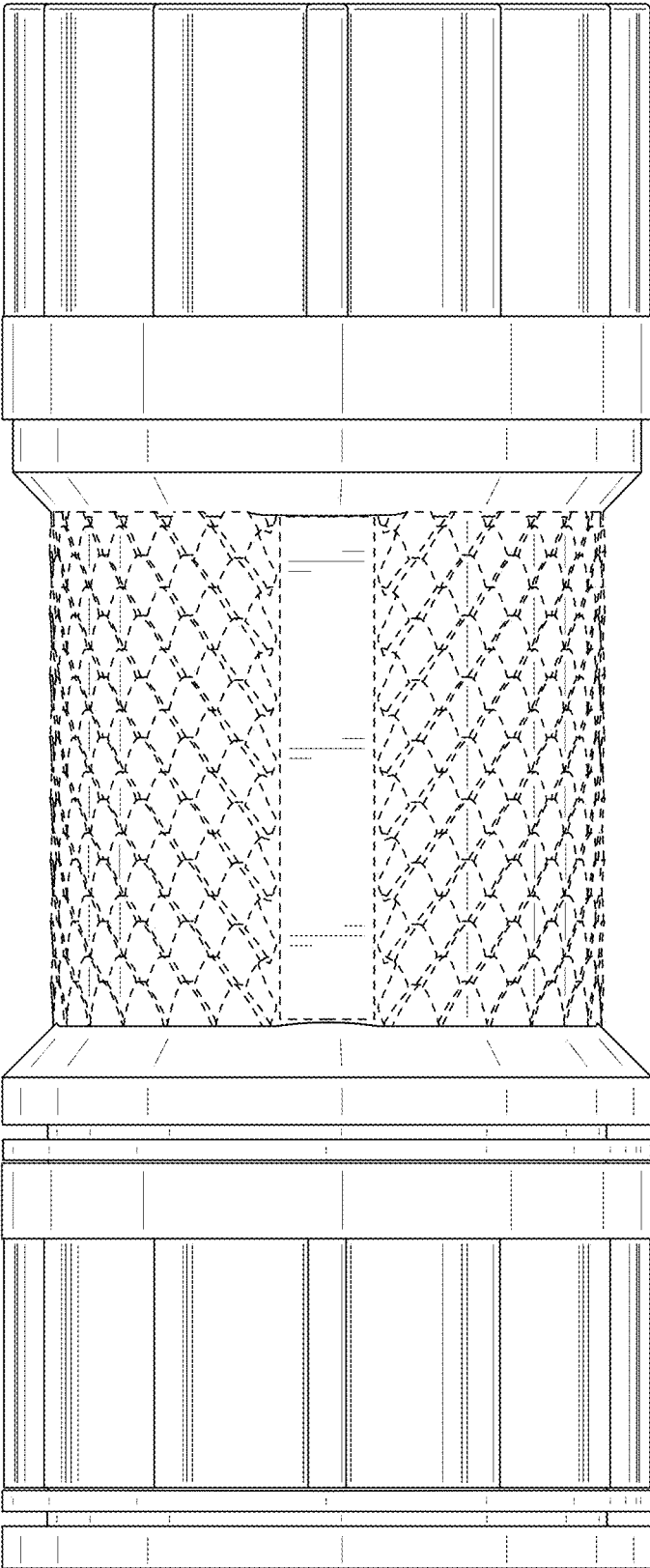


Fig. 5

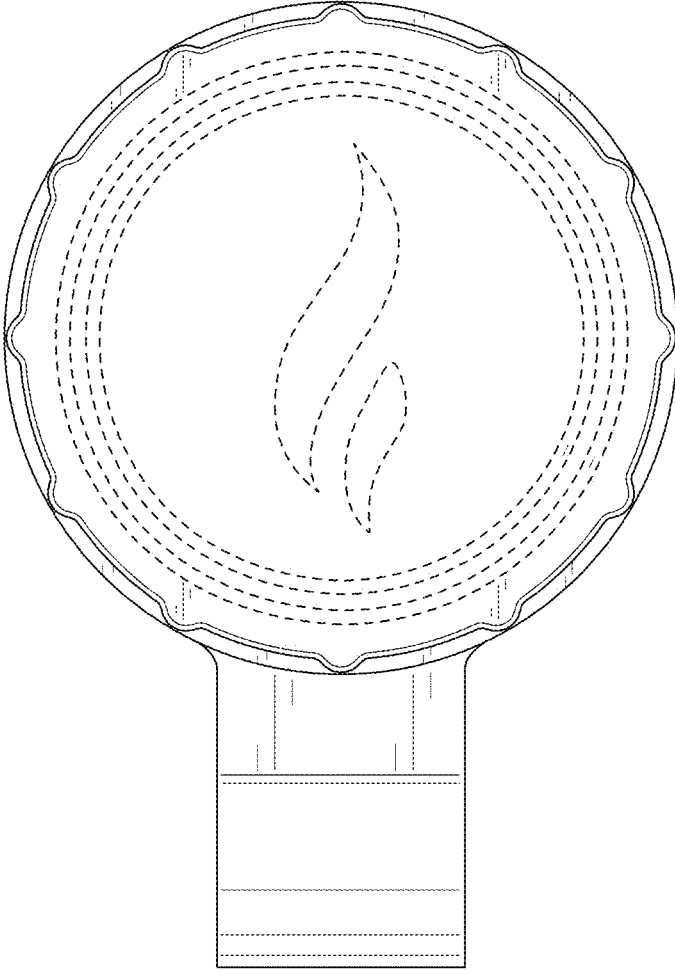


Fig. 6

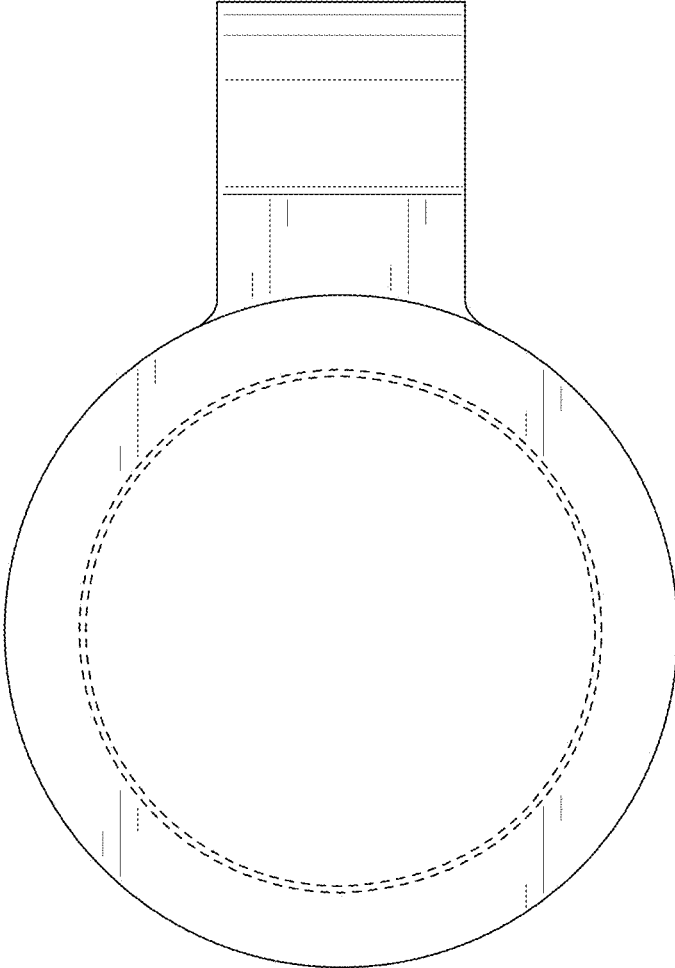


Fig. 7