



(43) International Publication Date
26 October 2012 (26.10.2012)

(51) International Patent Classification:

D06F 37/02 (2006.01) *D06F 37/06* (2006.01)
D06F 37/04 (2006.01) *D06F 37/14* (2006.01)

(21) International Application Number:

PCT/EP2012/056591

(22) International Filing Date:

11 April 2012 (11.04.2012)

(25) Filing Language:

English

(26) Publication Language:

English

(30) Priority Data:

AN2011A000053 19 April 2011 (19.04.2011) IT

(71) Applicant (for all designated States except US): **QS GROUP S.P.A.** [IT/IT]; 1/A, Via Pian di Morro I, I-60043 Cerreto D'Esì (AN) (IT).

(72) Inventors; and

(75) Inventors/Applicants (for US only): **PORCARELLI, Giovanni** [IT/IT]; 27, Via Verdi, I-60043 Cerreto D'Esì (AN) (IT). **PAOLONI, Giovanni** [IT/IT]; Viale Indipendenza, I-62100 Macerata (MC) (IT).

(74) Agent: **CUTROPIA, Gianluigi**; Viale Cavallotti, 13, I-60035 Jesi (AN) (IT).

(81) Designated States (unless otherwise indicated, for every kind of national protection available): AE, AG, AL, AM, AO, AT, AU, AZ, BA, BB, BG, BH, BR, BW, BY, BZ, CA, CH, CL, CN, CO, CR, CU, CZ, DE, DK, DM, DO,

DZ, EC, EE, EG, ES, FI, GB, GD, GE, GH, GM, GT, HN, HR, HU, ID, IL, IN, IS, JP, KE, KG, KM, KN, KP, KR, KZ, LA, LC, LK, LR, LS, LT, LU, LY, MA, MD, ME, MG, MK, MN, MW, MX, MY, MZ, NA, NG, NI, NO, NZ, OM, PE, PG, PH, PL, PT, QA, RO, RS, RU, RW, SC, SD, SE, SG, SK, SL, SM, ST, SV, SY, TH, TJ, TM, TN, TR, TT, TZ, UA, UG, US, UZ, VC, VN, ZA, ZM, ZW.

(84) Designated States (unless otherwise indicated, for every kind of regional protection available): ARIPO (BW, GH, GM, KE, LR, LS, MW, MZ, NA, RW, SD, SL, SZ, TZ, UG, ZM, ZW), Eurasian (AM, AZ, BY, KG, KZ, MD, RU, TJ, TM), European (AL, AT, BE, BG, CH, CY, CZ, DE, DK, EE, ES, FI, FR, GB, GR, HR, HU, IE, IS, IT, LT, LU, LV, MC, MK, MT, NL, NO, PL, PT, RO, RS, SE, SI, SK, SM, TR), OAPI (BF, BJ, CF, CG, CI, CM, GA, GN, GQ, GW, ML, MR, NE, SN, TD, TG).

Declarations under Rule 4.17:

- as to applicant's entitlement to apply for and be granted a patent (Rule 4.17(ii))
- of inventorship (Rule 4.17(iv))

Published:

- with international search report (Art. 21(3))
- before the expiration of the time limit for amending the claims and to be republished in the event of receipt of amendments (Rule 48.2(h))

[Continued on next page]

(54) Title: DRUM-LIFTERS ASSEMBLY FOR WASHING MACHINE

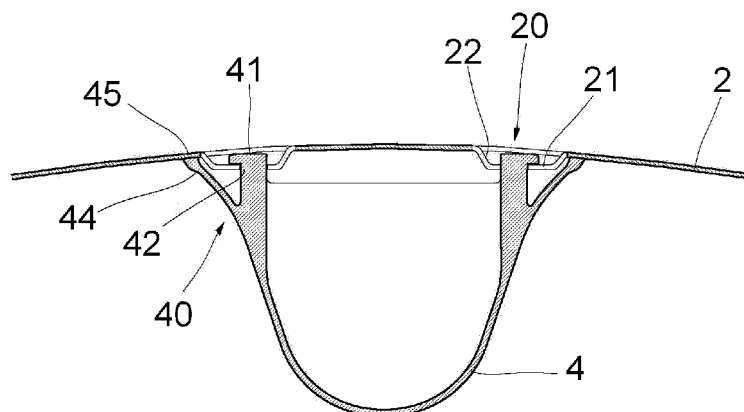


FIG. 16

(57) Abstract: A drum (1) for a washing machine is disclosed, comprising a cylindrical metal band (2) and a plurality of lifters (4) with elongated body and base adapted to be disposed on the internal surface of the band (2), said band (2) comprising slots (20; 120) and said lifter (4) comprising feet (40; 140) adapted to be engaged inside said slots (20; 120). Said slots (20; 120) are obtained on a flat portion (22; 122) partially surrounded by a drawn portion (21; 121) of the band (2), in such a way that said flat portion (22; 122) with slots (20; 120) is situated at a level different from said band (2); said drawn portion (21; 121) being provided with openings (23; 123) in communication with said slots (20; 120) in order to insert the feet (40; 140) of said lifters (4).



WO 2012/143276 A3

(88) Date of publication of the international search report:
29 August 2013

INTERNATIONAL SEARCH REPORT

International application No
PCT/EP2012/056591

A. CLASSIFICATION OF SUBJECT MATTER
 INV. D06F37/02 D06F37/04 D06F37/06 D06F37/14
 ADD.
 According to International Patent Classification (IPC) or to both national classification and IPC

B. FIELDS SEARCHED
 Minimum documentation searched (classification system followed by classification symbols)
 D06F
 Documentation searched other than minimum documentation to the extent that such documents are included in the fields searched

Electronic data base consulted during the international search (name of data base and, where practicable, search terms used)
 EPO-Internal, WPI Data

C. DOCUMENTS CONSIDERED TO BE RELEVANT

| Category* | Citation of document, with indication, where appropriate, of the relevant passages | Relevant to claim No. |
|-----------|--|-----------------------|
| A | DE 33 17 201 A1 (LICENTIA GMBH [DE]) 15 November 1984 (1984-11-15) page 5, line 25 - page 7, line 27; claims; figures ----- | 1-6 |
| A | DE 11 44 226 B (SIEMENS ELEKTROGERAETE GMBH) 28 February 1963 (1963-02-28) column 1, line 1 - column 2, line 52; figures ----- | 1-6 |
| A | US 2005/252253 A1 (AHN BYUNG H [KR]) 17 November 2005 (2005-11-17) paragraphs [0003], [0032] - [0050]; claims; figures 2-4 ----- -/-- | 1-6 |

Further documents are listed in the continuation of Box C.

See patent family annex.

* Special categories of cited documents :

| | |
|---|--|
| "A" document defining the general state of the art which is not considered to be of particular relevance | "T" later document published after the international filing date or priority date and not in conflict with the application but cited to understand the principle or theory underlying the invention |
| "E" earlier application or patent but published on or after the international filing date | "X" document of particular relevance; the claimed invention cannot be considered novel or cannot be considered to involve an inventive step when the document is taken alone |
| "L" document which may throw doubts on priority claim(s) or which is cited to establish the publication date of another citation or other special reason (as specified) | "Y" document of particular relevance; the claimed invention cannot be considered to involve an inventive step when the document is combined with one or more other such documents, such combination being obvious to a person skilled in the art |
| "O" document referring to an oral disclosure, use, exhibition or other means | "&" document member of the same patent family |
| "P" document published prior to the international filing date but later than the priority date claimed | |

| | |
|--|--|
| Date of the actual completion of the international search 8 July 2013 | Date of mailing of the international search report 15/07/2013 |
|--|--|

| | |
|--|---|
| Name and mailing address of the ISA/ European Patent Office, P.B. 5818 Patentlaan 2 NL - 2280 HV Rijswijk Tel. (+31-70) 340-2040, Fax: (+31-70) 340-3016 | Authorized officer Clivio, Eugenio |
|--|---|

INTERNATIONAL SEARCH REPORT

International application No
PCT/EP2012/056591

| C(Continuation). DOCUMENTS CONSIDERED TO BE RELEVANT | | |
|--|---|-----------------------|
| Category* | Citation of document, with indication, where appropriate, of the relevant passages | Relevant to claim No. |
| A | WO 2009/109526 A1 (BSH BOSCH SIEMENS HAUSGERAETE [DE]; GOMEZ CADEVILLA MIGUEL ANGEL [ES]) 11 September 2009 (2009-09-11) page 4, lines 7-37; figures ----- | 1-6 |
| A | EP 2 000 574 A2 (SAMSUNG ELECTRONICS CO LTD [KR]) 10 December 2008 (2008-12-10) paragraphs [0001], [0020] - [0028]; figures ----- | 1-6 |
| A | GB 1 161 219 A (PHILIPS ELECTRONIC ASSOCIATED [GB]) 13 August 1969 (1969-08-13) the whole document ----- | 1-6 |

INTERNATIONAL SEARCH REPORT

Information on patent family members

| |
|---|
| International application No PCT/EP2012/056591 |
|---|

| Patent document cited in search report | Publication date | Publication date | Patent family member(s) | Publication date |
|--|------------------|------------------|-------------------------|------------------|
| DE 3317201 | A1 | 15-11-1984 | NONE | |
| ----- | | | | |
| DE 1144226 | B | 28-02-1963 | NONE | |
| ----- | | | | |
| US 2005252253 | A1 | 17-11-2005 | CN 1906349 A | 31-01-2007 |
| | | | EP 1747316 A1 | 31-01-2007 |
| | | | US 2005252253 A1 | 17-11-2005 |
| | | | WO 2005111296 A1 | 24-11-2005 |
| ----- | | | | |
| WO 2009109526 | A1 | 11-09-2009 | CN 101960066 A | 26-01-2011 |
| | | | EA 201071016 A1 | 29-04-2011 |
| | | | EP 2262941 A1 | 22-12-2010 |
| | | | ES 2332346 A1 | 02-02-2010 |
| | | | US 2010307203 A1 | 09-12-2010 |
| | | | WO 2009109526 A1 | 11-09-2009 |
| ----- | | | | |
| EP 2000574 | A2 | 10-12-2008 | CN 101319454 A | 10-12-2008 |
| | | | EP 2000574 A2 | 10-12-2008 |
| | | | KR 20080107663 A | 11-12-2008 |
| | | | US 2008302140 A1 | 11-12-2008 |
| | | | US 2012304705 A1 | 06-12-2012 |
| ----- | | | | |
| GB 1161219 | A | 13-08-1969 | DE 1585867 A1 | 07-10-1971 |
| | | | ES 344570 A1 | 16-12-1968 |
| | | | GB 1161219 A | 13-08-1969 |
| ----- | | | | |