



- (51) **International Patent Classification:**
A62B 1/14 (2006.01) A62B 35/04 (2006.01)
A62B 35/00 (2006.01)
- (21) **International Application Number:**
PCT/US2013/050868
- (22) **International Filing Date:**
17 July 2013 (17.07.2013)
- (25) **Filing Language:** English
- (26) **Publication Language:** English
- (30) **Priority Data:**
13/551,845 18 July 2012 (18.07.2012) US
13/891,871 10 May 2013 (10.05.2013) US
- (71) **Applicant:** D B INDUSTRIES, LLC [US/US]; 3833 Sala Way, Red Wing, MN 55066-5005 (US).
- (72) **Inventors:** CASEBOLT, Scott, C.; 1460 Laurel Avenue, St. Paul Park, MN 55071 (US). BLOMBERG, John, P.; 120 Camelsback Road, New Ulm, MN 56073 (US). MILLER, Rick, G.; 621 17th Street West, Hastings, MN 55033 (US).
- (74) **Agent:** MAU, Michael, L.; IPLM Group, P.A., Post Office Box 18455, Minneapolis, MN 55418 (US).

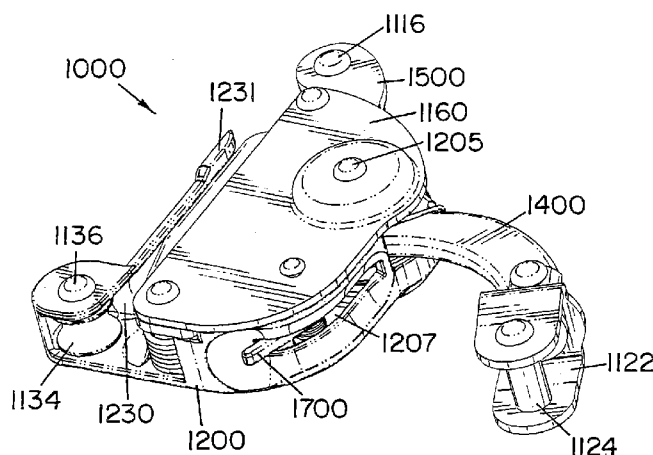
- (81) **Designated States** (unless otherwise indicated, for every kind of national protection available): AE, AG, AL, AM, AO, AT, AU, AZ, BA, BB, BG, BH, BN, BR, BW, BY, BZ, CA, CH, CL, CN, CO, CR, CU, CZ, DE, DK, DM, DO, DZ, EC, EE, EG, ES, FI, GB, GD, GE, GH, GM, GT, HN, HR, HU, ID, IL, IN, IS, JP, KE, KG, KN, KP, KR, KZ, LA, LC, LK, LR, LS, LT, LU, LY, MA, MD, ME, MG, MK, MN, MW, MX, MY, MZ, NA, NG, NI, NO, NZ, OM, PA, PE, PG, PH, PL, PT, QA, RO, RS, RU, RW, SC, SD, SE, SG, SK, SL, SM, ST, SV, SY, TH, TJ, TM, TN, TR, TT, TZ, UA, UG, US, UZ, VC, VN, ZA, ZM, ZW.
- (84) **Designated States** (unless otherwise indicated, for every kind of regional protection available): ARIPO (BW, GH, GM, KE, LR, LS, MW, MZ, NA, RW, SD, SL, SZ, TZ, UG, ZM, ZW), Eurasian (AM, AZ, BY, KG, KZ, RU, TJ, TM), European (AL, AT, BE, BG, CH, CY, CZ, DE, DK, EE, ES, FI, FR, GB, GR, HR, HU, IE, IS, IT, LT, LU, LV, MC, MK, MT, NL, NO, PL, PT, RO, RS, SE, SI, SK, SM, TR), OAPI (BF, BJ, CF, CG, CI, CM, GA, GN, GQ, GW, KM, ML, MR, NE, SN, TD, TG).

- Published:**
- with international search report (Art. 21(3))
 - before the expiration of the time limit for amending the claims and to be republished in the event of receipt of amendments (Rule 48.2(h))

[Continued on next page]

(54) **Title:** ROPE GRAB

FIG.16C



(57) **Abstract:** A rope grab for a vertical fall protection system is provided. The rope grab includes a housing with an elongated member passage. The elongated member passage is configured to receive an elongated member. A locking cam is pivotally coupled to the housing and selectively engages an elongated member received in the elongated member passage. A cam biasing member positioned to provide a relatively slight biasing force on the locking cam in a direction towards an elongated member received in the elongated member passage. A locking arm, pivotally coupled to the housing, has a first end that is configured to be coupled to a safety harness of a user and a second end that selectively engages the locking cam to lock the locking cam on an elongated member in the elongated member passage during a fall event.

WO 2014/015026 A3

(88) Date of publication of the international search report:
12 September 2014

INTERNATIONAL SEARCH REPORT

International application No
PCT/US2013/050868

A. CLASSIFICATION OF SUBJECT MATTER
INV. A62B1/14 A62B35/00 A62B35/04
ADD.
According to International Patent Classification (IPC) or to both national classification and IPC

B. FIELDS SEARCHED
Minimum documentation searched (classification system followed by classification symbols)
A62B

Documentation searched other than minimum documentation to the extent that such documents are included in the fields searched

Electronic data base consulted during the international search (name of data base and, where practicable, search terms used)
EPO-Internal, WPI Data

C. DOCUMENTS CONSIDERED TO BE RELEVANT

Category*	Citation of document, with indication, where appropriate, of the relevant passages	Relevant to claim No.
X	US 4 560 029 A (DALMASO GEORGE C [US]) 24 December 1985 (1985-12-24)	1-6, 8-10, 12-15, 17,22,23
Y	column 4, line 53 - line 68; figures column 5, line 1 - line 15 -----	7,16
X	US 5 156 240 A (OSTROBROD MEYER [US]) 20 October 1992 (1992-10-20)	1,4,12, 14
Y	column 5, line 23 - line 31; figures 4,5 -----	7,16
X	DE 20 2007 012804 U1 (SPERIAN FALL PROT DEUTSCHLAND [DE]) 12 February 2009 (2009-02-12) paragraph [0034]; figures 1,2 -----	1,4,11, 12,14, 18-21
X	US 3 179 994 A (MEYER ROY E ET AL) 27 April 1965 (1965-04-27) column 1; figures -----	1,4

Further documents are listed in the continuation of Box C.

See patent family annex.

* Special categories of cited documents :

- "A" document defining the general state of the art which is not considered to be of particular relevance
- "E" earlier application or patent but published on or after the international filing date
- "L" document which may throw doubts on priority claim(s) or which is cited to establish the publication date of another citation or other special reason (as specified)
- "O" document referring to an oral disclosure, use, exhibition or other means
- "P" document published prior to the international filing date but later than the priority date claimed

- "T" later document published after the international filing date or priority date and not in conflict with the application but cited to understand the principle or theory underlying the invention
- "X" document of particular relevance; the claimed invention cannot be considered novel or cannot be considered to involve an inventive step when the document is taken alone
- "Y" document of particular relevance; the claimed invention cannot be considered to involve an inventive step when the document is combined with one or more other such documents, such combination being obvious to a person skilled in the art
- "&" document member of the same patent family

Date of the actual completion of the international search 23 June 2014	Date of mailing of the international search report 02/07/2014
---	--

Name and mailing address of the ISA/ European Patent Office, P.B. 5818 Patentlaan 2 NL - 2280 HV Rijswijk Tel. (+31-70) 340-2040, Fax: (+31-70) 340-3016	Authorized officer Vervenne, Koen
--	--

INTERNATIONAL SEARCH REPORT

Information on patent family members

International application No

PCT/US2013/050868

Patent document cited in search report	Publication date	Patent family member(s)	Publication date
US 4560029	A	24-12-1985	NONE

US 5156240	A	20-10-1992	NONE

DE 202007012804	U1	12-02-2009	AT 498430 T 15-03-2011
		AU 2008300650	A1 26-03-2009
		CA 2698433	A1 26-03-2009
		DE 202007012804	U1 12-02-2009
		DK 2200702	T3 06-06-2011
		EP 2200702	A1 30-06-2010
		ES 2362039	T3 27-06-2011
		NZ 583922	A 28-10-2011
		WO 2009037173	A1 26-03-2009

US 3179994	A	27-04-1965	NONE
