



(43) International Publication Date  
28 June 2012 (28.06.2012)

(51) International Patent Classification:

*D06M 15/277* (2006.01) *D06M 15/576* (2006.01)  
*D06M 15/263* (2006.01) *D06M 10/02* (2006.01)

(21) International Application Number:

PCT/IB2011/055129

(22) International Filing Date:

16 November 2011 (16.11.2011)

(25) Filing Language:

English

(26) Publication Language:

English

(30) Priority Data:

12/976,077 22 December 2010 (22.12.2010) US

(71) Applicant (for all designated States except US): **KIMBERLY-CLARK WORLDWIDE, INC.** [US/US]; 2300 Winchester Road, Neenah, Wisconsin 54956 (US).

(72) Inventors; and

(75) Inventors/Applicants (for US only): **YAHIAOUI, Ali** [US/US]; 5040 Foxberry Lane, Roswell, Georgia 30075 (US). **SPENCER, Anthony, S.** [US/US]; 302 Gainesway Trail, Woodstock, Georgia 30189 (US). **KAPLAN, Stephen, L.** [US/US]; 12 Clover Lane, San Carlos, California 94070 (US).

(74) Agents: **MARSHALL, Alan, R.** et al.; Dority & Manning, P.a. P O Box 1449, Greenville, South Carolina 29602-1449 (US).

(81) Designated States (unless otherwise indicated, for every kind of national protection available): AE, AG, AL, AM, AO, AT, AU, AZ, BA, BB, BG, BH, BR, BW, BY, BZ, CA, CH, CL, CN, CO, CR, CU, CZ, DE, DK, DM, DO, DZ, EC, EE, EG, ES, FI, GB, GD, GE, GH, GM, GT, HN, HR, HU, ID, IL, IN, IS, JP, KE, KG, KM, KN, KP, KR, KZ, LA, LC, LK, LR, LS, LT, LU, LY, MA, MD, ME, MG, MK, MN, MW, MX, MY, MZ, NA, NG, NI, NO, NZ, OM, PE, PG, PH, PL, PT, QA, RO, RS, RU, RW, SC, SD, SE, SG, SK, SL, SM, ST, SV, SY, TH, TJ, TM, TN, TR, TT, TZ, UA, UG, US, UZ, VC, VN, ZA, ZM, ZW.

(84) Designated States (unless otherwise indicated, for every kind of regional protection available): ARIPO (BW, GH, GM, KE, LR, LS, MW, MZ, NA, RW, SD, SL, SZ, TZ, UG, ZM, ZW), Eurasian (AM, AZ, BY, KG, KZ, MD, RU, TJ, TM), European (AL, AT, BE, BG, CH, CY, CZ, DE, DK, EE, ES, FI, FR, GB, GR, HR, HU, IE, IS, IT, LT, LU, LV, MC, MK, MT, NL, NO, PL, PT, RO, RS, SE, SI, SK, SM, TR), OAPI (BF, BJ, CF, CG, CI, CM, GA, GN, GQ, GW, ML, MR, NE, SN, TD, TG).

Published:

- with international search report (Art. 21(3))
- before the expiration of the time limit for amending the claims and to be republished in the event of receipt of amendments (Rule 48.2(h))

(88) Date of publication of the international search report:

23 August 2012

(54) Title: NONWOVEN WEBS HAVING IMPROVED BARRIER PROPERTIES

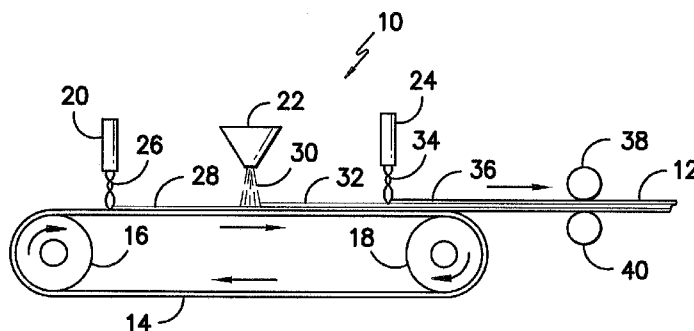


FIG. -1-

(57) Abstract: Methods of manufacturing a nonwoven web having alcohol repellency properties are provided. A plurality of perfluoroalkyl(alkyl) (meth)acrylic monomers can first be deposited on a surface of the nonwoven web, and subsequently exposed to a RF plasma to polymerize the monomers on the surface of the nonwoven web to form a fluorinated polymeric coating. The perfluoroalkyl(alkyl) (meth)acrylic monomers include perfluoroalkyl(alkyl) (meth)acrylate esters having a perfluorinated carbon end group of 1 to 6 carbon atoms. Nonwoven webs are also generally provided that have an alcohol repellency of greater than 80%.



**A. CLASSIFICATION OF SUBJECT MATTER*****D06M 15/277(2006.01)i, D06M 15/263(2006.01)i, D06M 15/576(2006.01)i, D06M 10/02(2006.01)i***

According to International Patent Classification (IPC) or to both national classification and IPC

**B. FIELDS SEARCHED**

Minimum documentation searched (classification system followed by classification symbols)

D06M 15/277; B05D 3/00; C08F 8/20; C08F 120/00; C09K 3/18; C08J 9/36; C23C 16/50; C08K 5/5419; B32B 5/02

Documentation searched other than minimum documentation to the extent that such documents are included in the fields searched

Korean utility models and applications for utility models

Japanese utility models and applications for utility models

Electronic data base consulted during the international search (name of data base and, where practicable, search terms used)

eKOMPASS(KIPO internal) &amp; Keywords: , ,

**C. DOCUMENTS CONSIDERED TO BE RELEVANT**

Category*	Citation of document, with indication, where appropriate, of the relevant passages	Relevant to claim No.
Y	JP 2002-510363 A (THE SECRETARY OF STATE FOR DEFENCE IN HER BRITANNIC MAJESTY'S GOVERNMENT OF THE UNITED KINGDOM OF GREAT BRITAIN) 02 April 2002 See abstract, claims 3-14, 22 and examples 1-5.	1-15
Y	US 2009-0053462 A1 (GUO JI et al.) 26 February 2009 See paragraphs [0023], [0068] and claim 4.	1-15
Y	KR 10-0903233 B1 (3M INNOVATIVE PROPERTIES CO.) 17 June 2009 See paragraph [0039] - paragraph [0043].	11, 15
A	US 2010-0190879 A1 (LUDEMANN SIMPERT et al.) 29 July 2010 See abstract and claims.	1-15
A	US 2008-0039605 A1 (WEIMING QIU) 14 February 2008 See abstract and claims.	1-15

 Further documents are listed in the continuation of Box C. See patent family annex.

\* Special categories of cited documents:

"A" document defining the general state of the art which is not considered to be of particular relevance

"E" earlier application or patent but published on or after the international filing date

"L" document which may throw doubts on priority claim(s) or which is cited to establish the publication date of citation or other special reason (as specified)

"O" document referring to an oral disclosure, use, exhibition or other means

"P" document published prior to the international filing date but later than the priority date claimed

"T" later document published after the international filing date or priority date and not in conflict with the application but cited to understand the principle or theory underlying the invention

"X" document of particular relevance; the claimed invention cannot be considered novel or cannot be considered to involve an inventive step when the document is taken alone

"Y" document of particular relevance; the claimed invention cannot be considered to involve an inventive step when the document is combined with one or more other such documents, such combination being obvious to a person skilled in the art

"&amp;" document member of the same patent family

Date of the actual completion of the international search

26 JUNE 2012 (26.06.2012)

Date of mailing of the international search report

**28 JUNE 2012 (28.06.2012)**

Name and mailing address of the ISA/KR

Korean Intellectual Property Office  
189 Cheongsu-ro, Seo-gu, Daejeon Metropolitan  
City, 302-701, Republic of Korea

Facsimile No. 82-42-472-7140

Authorized officer

Shim Yu Bong

Telephone No. 82-42-481-3356



**INTERNATIONAL SEARCH REPORT**

Information on patent family members

International application No.

**PCT/IB2011/055129**

Patent document cited in search report	Publication date	Patent family member(s)	Publication date
JP 2002-510363 A	02.04.2002	AT 316593 T	15.02.2006
		AU 1998-80284 B2	27.09.2001
		AU 738802 B2	27.09.2001
		AU 8028498 A	04.01.1999
		CA 2294644 A1	23.12.1998
		CA 2294644 C	22.12.2009
		CN 1190545 C0	23.02.2005
		CN 1265714 A0	06.09.2000
		DE 69833321 D1	13.04.2006
		DE 69833321 T2	14.09.2006
		DK 0988412T3	15.05.2006
		EP 0988412 A1	29.03.2000
		EP 0988412 B1	25.01.2006
		EP 1557489 A1	27.07.2005
		EP 1557489 B1	02.03.2011
		EP 2275598 A1	19.01.2011
		ES 2252840 T3	16.05.2006
		GB 2341864 A	29.03.2000
		GB 2341864 B	07.11.2001
		GB 9929106 D0	02.02.2000
		HK 1030030 A1	14.10.2005
		JP 04-527206 B2	11.06.2010
		JP 2002-510363 T	02.04.2002
		JP 2010-058523 A	18.03.2010
		JP 4527206 B2	18.08.2010
		NZ 501791 A	28.09.2001
		PT 988412 E	31.05.2006
PT 988412 T	31.05.2006		
US 6551950 B1	22.04.2003		
WO 98-58117 A1	23.12.1998		
US 2009-0053462 A1	26.02.2009	WO 2006-116222 A2	02.11.2006
		WO 2006-116222 A3	02.11.2006
KR 10-0903233 B1	17.06.2009	AU 2002-366335 A1	30.06.2003
		AU 2002-366335 B2	02.10.2008
		CA 2469115 A1	26.06.2003
		EP 1453897 A2	08.09.2004
		EP 1453897 B1	21.03.2007
		JP 04-308014 B2	15.05.2009
		JP 2005-511877 A	28.04.2005
		KR 10-0946817 B1	09.03.2010
		KR 10-2009-0130157 A	17.12.2009
		US 2003-0134515 A1	17.07.2003
		US 2011-0100220 A1	05.05.2011
		US 2011-0100298 A1	05.05.2011
		US 7887889 B2	15.02.2011
		WO 03-051969 A2	26.06.2003
		WO 03-051969 A3	26.06.2003

**INTERNATIONAL SEARCH REPORT**

Information on patent family members

International application No.

**PCT/IB2011/055129**

Patent document cited in search report	Publication date	Patent family member(s)	Publication date
US 2010-0190879 A1	29.07.2010	CN 101802043 A	11.08.2010
		EP 2036932 A1	18.03.2009
		EP 2207832 A1	21.07.2010
		EP 2207832 B1	16.11.2011
		MX 2010001206 A	01.03.2010
		WO 2009-039961 A1	02.04.2009
US 2008-0039605 A1	14.02.2008	CA 2655891 A1	21.02.2008
		CN 101495525 A	29.07.2009
		EP 2054452 A2	06.05.2009
		EP 2251363 A1	17.11.2010
		EP 2287270 A2	23.02.2011
		EP 2287270 A3	13.07.2011
		JP 2010-500449 A	07.01.2010
		JP 2010-500449 T	07.01.2010
		KR 10-2009-0051068 A	20.05.2009
		KR 20090051068 A	20.05.2009
		US 2010-0233419 A1	16.09.2010
		US 7754838 B2	13.07.2010
		US 8178638 B2	15.05.2012
WO 2008-021153 A2	21.02.2008		