

(19) World Intellectual Property Organization
International Bureau



(43) International Publication Date
6 March 2008 (06.03.2008)

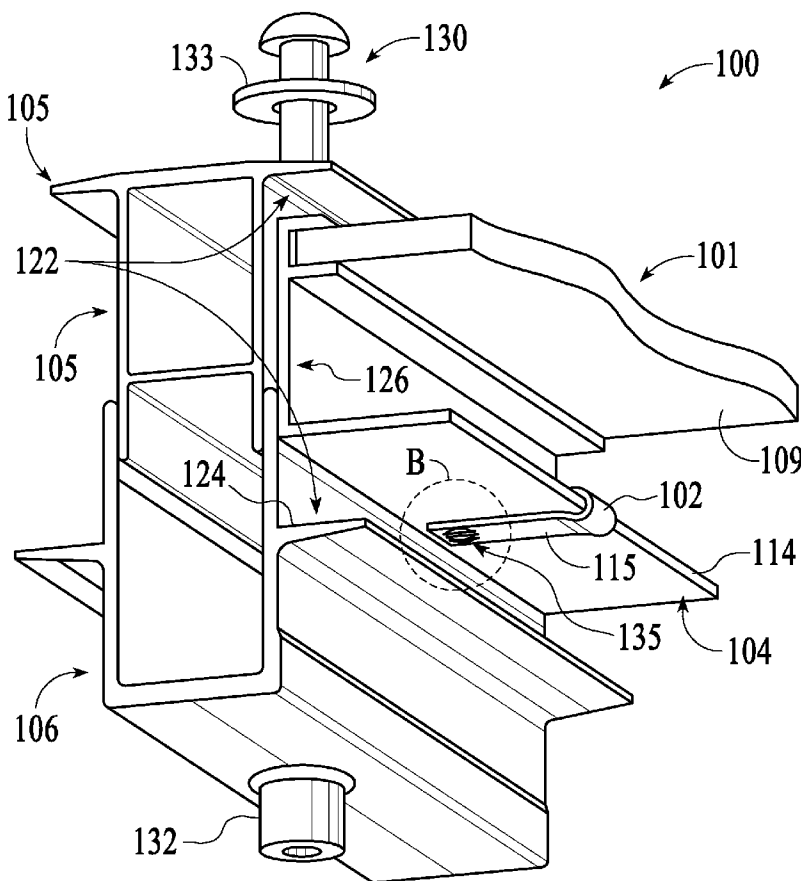
PCT

(10) International Publication Number
WO 2008/028151 A3

- (51) International Patent Classification:
E04C 2/38 (2006.01)
- (74) Agent: MAHAMEDI, Van; Suite 201, 4880 Stevens Creek Blvd., San Jose, CA 95129 (US).
- (21) International Application Number:
PCT/US2007/077433
- (81) Designated States (unless otherwise indicated, for every kind of national protection available): AE, AG, AL, AM, AT, AU, AZ, BA, BB, BG, BH, BR, BW, BY, BZ, CA, CH, CN, CO, CR, CU, CZ, DE, DK, DM, DO, DZ, EC, EE, EG, ES, FI, GB, GD, GE, GH, GM, GT, HN, HR, HU, ID, IL, IN, IS, JP, KE, KG, KM, KN, KP, KR, KZ, LA, LC, LK, LR, LS, LT, LU, LY, MA, MD, ME, MG, MK, MN, MW, MX, MY, MZ, NA, NG, NI, NO, NZ, OM, PG, PH, PL, PT, RO, RS, RU, SC, SD, SE, SG, SK, SL, SM, SV, SY, TJ, TM, TN, TR, TT, TZ, UA, UG, US, UZ, VC, VN, ZA, ZM, ZW.
- (22) International Filing Date: 31 August 2007 (31.08.2007)
- (25) Filing Language: English
- (26) Publication Language: English
- (30) Priority Data:
60/824,260 31 August 2006 (31.08.2006) US
- (84) Designated States (unless otherwise indicated, for every kind of regional protection available): ARIPO (BW, GH, GM, KE, LS, MW, MZ, NA, SD, SL, SZ, TZ, UG, ZM, ZW), Eurasian (AM, AZ, BY, KG, KZ, MD, RU, TJ, TM), European (AT, BE, BG, CH, CY, CZ, DE, DK, EE, ES, FI, FR, GB, GR, HU, IE, IS, IT, LT, LU, LV, MC, MT, NL, PL, PT, RO, SE, SI, SK, TR), OAPI (BF, BJ, CF, CG, CI, CM, GA, GN, GQ, GW, ML, MR, NE, SN, TD, TG).
- (71) Applicant (for all designated States except US): KINEO DESIGN GROUP, LLC [US/US]; Unit 7, 930 Dwight Way, Berkeley, CA 94710 (US).
- (72) Inventors; and
- (75) Inventors/Applicants (for US only): PLAISTED, Joshua, Reed [US/US]; 3623 Wisconsin Street, Oakland, CA 94619 (US). WEST, Brian [US/US]; Apt. 1, 1348 Sacramento Street, San Francisco, CA 94109 (US).

[Continued on next page]

(54) Title: TECHNIQUE FOR ELECTRICALLY BONDING SOLAR MODULES AND MOUNTING ASSEMBLIES



(57) Abstract: A mounting system is provided for an array of solar modules. The mounting system includes one or more rail assemblies that extend lengthwise in a first direction to support a plurality of solar modules that comprise the array. Each of the one or more rail assemblies may be configured to compress in order to retain an edge section of one or more of the plurality of solar modules in an operable position. A conductive element may be positioned to bond the edge section of at least one of the plurality of solar modules with at least a section of the rail assembly that retains that edge section in the operable position, so as to form a conductive path for electrical current.

WO 2008/028151 A3



Published:

— *with international search report*

(88) Date of publication of the international search report:

17 July 2008

INTERNATIONAL SEARCH REPORT

International application No.

PCT/US 07/77433

A. CLASSIFICATION OF SUBJECT MATTER

IPC(8) - E04C 2/38 (2008.01)

USPC - 52/716.8

According to International Patent Classification (IPC) or to both national classification and IPC

B. FIELDS SEARCHED

Minimum documentation searched (classification system followed by classification symbols)

USPC: 52/716.8

Documentation searched other than minimum documentation to the extent that such documents are included in the fields searched

USPC: 136/251, 244; 126/569, 704, 623; 52/173.3, 718.04, 578; 248/237 (text search - see terms below)

Electronic data base consulted during the international search (name of data base and, where practicable, search terms used)

PubWEST(USPT,PGPB,EPAB,JPAB); Google Scholar; Google Patents

Search Terms: solar, modules, panels, mounting, rail, conductive, top, bottom, clip, compress, element

C. DOCUMENTS CONSIDERED TO BE RELEVANT

Category*	Citation of document, with indication, where appropriate, of the relevant passages	Relevant to claim No.
Y	US 2006/0086382 A1 (Plaisted) 27 April 2006 (27.04.2006), Fig 1, 2 and 8, para [0043]	1-20
Y	US 6,323,478 B1 (Fujisaki et al.) 27 November 2001 (27.11.2001), Fig 11, col 9, ln 19-25 and ln 30-33	1-20

Further documents are listed in the continuation of Box C.

* Special categories of cited documents:

"A" document defining the general state of the art which is not considered to be of particular relevance

"E" earlier application or patent but published on or after the international filing date

"L" document which may throw doubts on priority claim(s) or which is cited to establish the publication date of another citation or other special reason (as specified)

"O" document referring to an oral disclosure, use, exhibition or other means

"P" document published prior to the international filing date but later than the priority date claimed

"T" later document published after the international filing date or priority date and not in conflict with the application but cited to understand the principle or theory underlying the invention

"X" document of particular relevance; the claimed invention cannot be considered novel or cannot be considered to involve an inventive step when the document is taken alone

"Y" document of particular relevance; the claimed invention cannot be considered to involve an inventive step when the document is combined with one or more other such documents, such combination being obvious to a person skilled in the art

"&" document member of the same patent family

Date of the actual completion of the international search

23 February 2008 (23.02.2008)

Date of mailing of the international search report

26 MAR 2008

Name and mailing address of the ISA/US

Mail Stop PCT, Attn: ISA/US, Commissioner for Patents
P.O. Box 1450, Alexandria, Virginia 22313-1450

Facsimile No. 571-273-3201

Authorized officer:

Lee W. Young

PCT Helpdesk: 571-272-4300
PCT OSP: 571-272-7774

