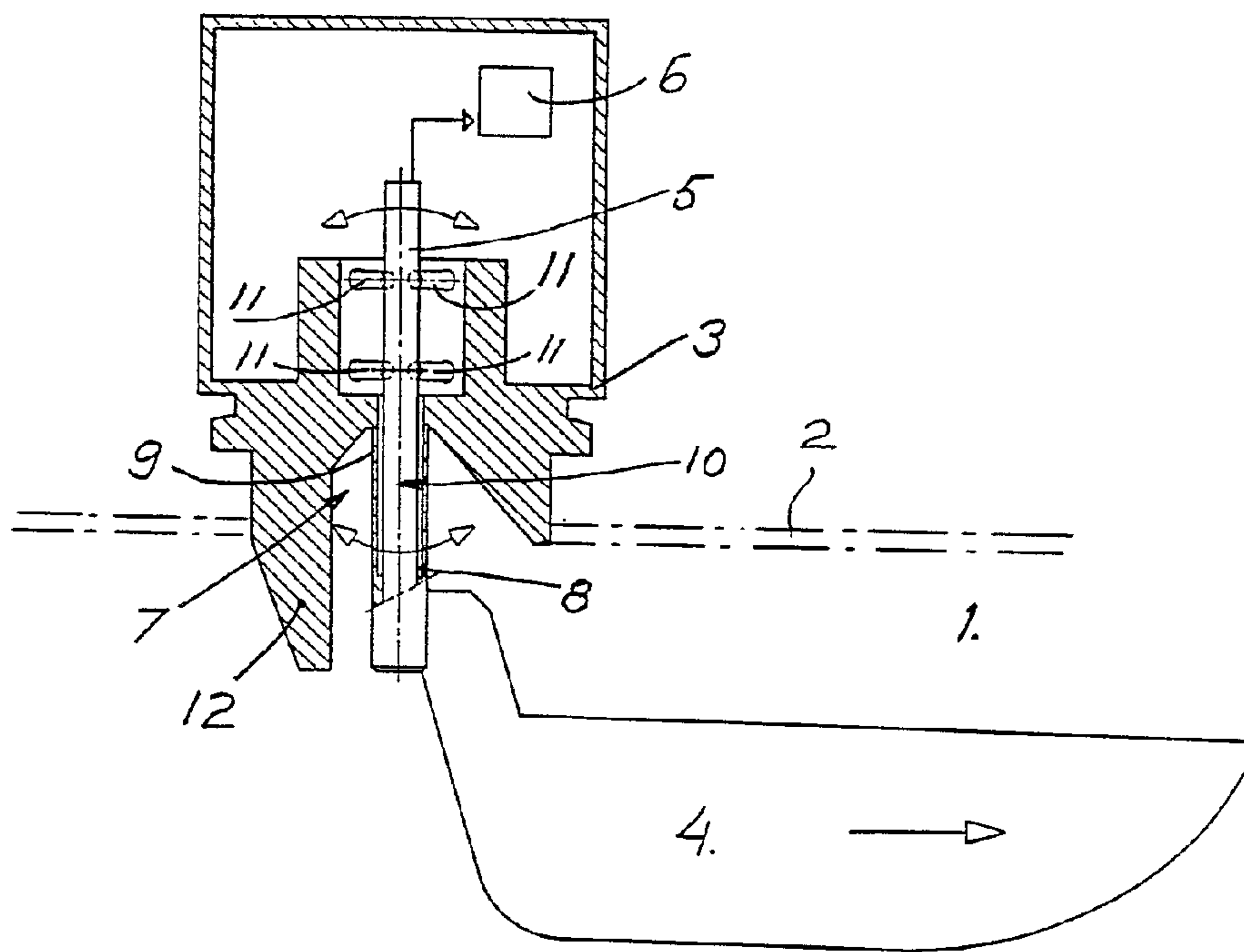




(86) Date de dépôt PCT/PCT Filing Date: 1995/11/22
 (87) Date publication PCT/PCT Publication Date: 1996/05/30
 (45) Date de délivrance/Issue Date: 2006/03/14
 (85) Entrée phase nationale/National Entry: 1996/04/22
 (86) N° demande PCT/PCT Application No.: SE 1995/001395
 (87) N° publication PCT/PCT Publication No.: 1996/016322
 (30) Priorité/Priority: 1994/11/23 (9404064-9) SE

(51) Cl.Int./Int.Cl. *G01N 11/14* (2006.01),
G01N 33/34 (2006.01), *G01N 15/06* (2006.01),
D21F 7/06 (2006.01)
 (72) Inventeur/Inventor:
 LUNDBERG, PETER, SE
 (73) Propriétaire/Owner:
 BTG KALLE INVENTING AB, SE
 (74) Agent: FETHERSTONHAUGH & CO.

(54) Titre : PERFECTIONNEMENTS DESTINES A UN TRANSMETTEUR DE CONCENTRATION OU S'Y RAPPORTANT
 (54) Title: IMPROVEMENTS IN OR RELATING TO A CONSISTENCY TRANSMITTER



(57) **Abrégé/Abstract:**

The invention relates to concentration measurement transmitters, more specifically to an arrangement for a static, blade-type transmitter, which includes a blade (4) active in the medium to be measured and suspended by a spindle (5) such that shear force moment at the blade is translated via the spindle to a measurement converter (6) for determining fibre concentration in the medium, the converter preferably being situated in the transmitter housing (3), into which the spindle extends and is sealed against it with the aid of a lead-through (7). The latter includes a tube (9) either integral with, or rigidly, cohesively fixed to it and extending downwards to the free end portion of the spindle (5) carrying the blade (4), the spindle extending through the tube (9) with a clearance (8) enabling movement of the spindle necessary for the measurement converter (6) for a turning movement of the spindle (5) about a theoretical turning centre (10) substantially at the middle portion of the tube (9), to the free end portion of which tube the spindle is rigidly and sealingly fixed, whereby a seal in the lead-through (7) is obtained, which does not affect the shear force moment translated to the converter (6) and consequently not measurement accuracy either.



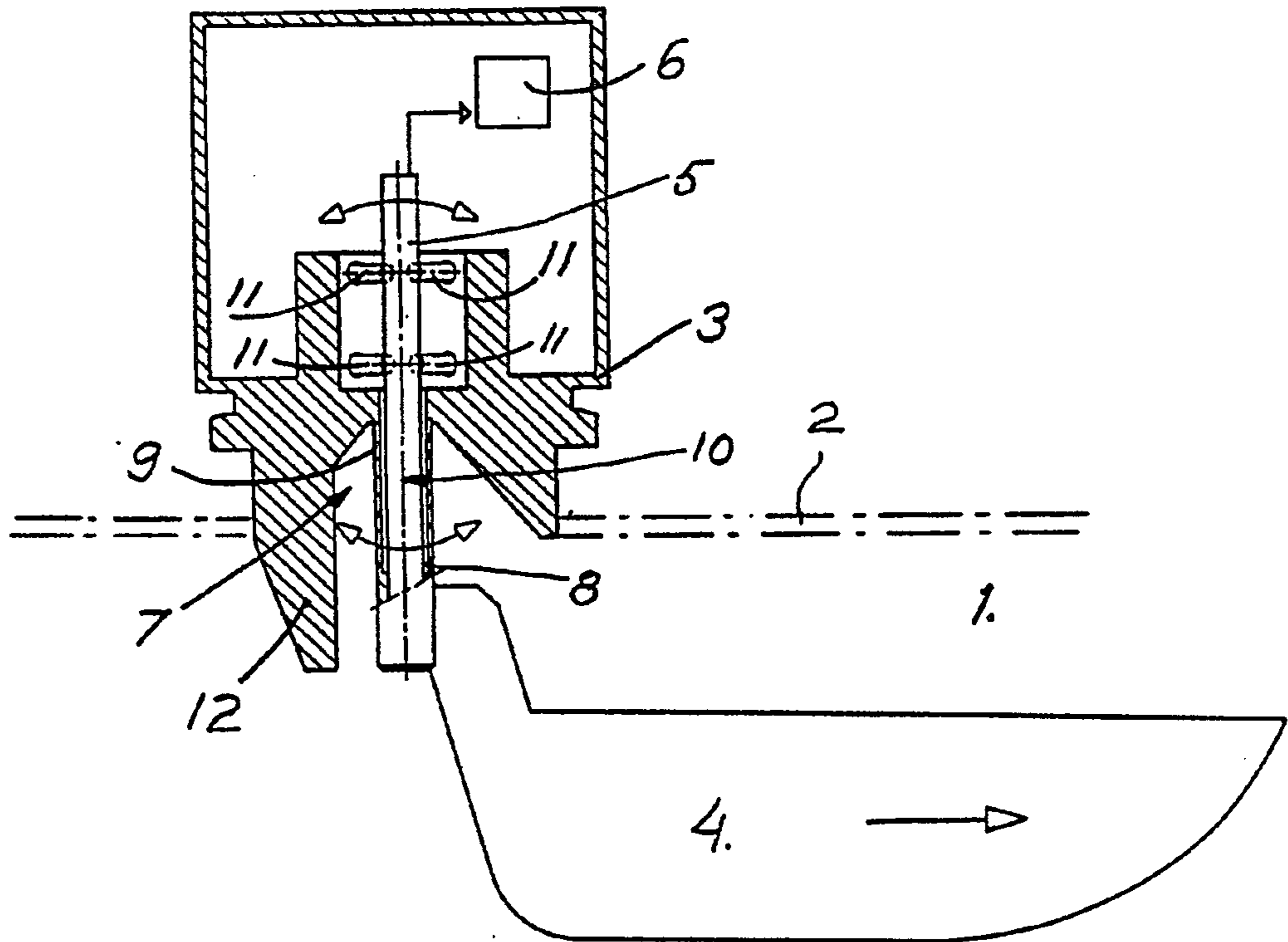
INTERNATIONAL APPLICATION PUBLISHED UNDER THE PATENT COOPERATION TREATY (PCT)

<p>(51) International Patent Classification ⁶ : G01N 11/10, 15/06 // 33/34</p>	<p>A1</p>	<p>(11) International Publication Number: WO 96/16322 (43) International Publication Date: 30 May 1996 (30.05.96)</p>
<p>(21) International Application Number: PCT/SE95/01395 (22) International Filing Date: 22 November 1995 (22.11.95) (30) Priority Data: 9404064-9 23 November 1994 (23.11.94) SE (71) Applicant (for all designated States except US): BTG KÄLLE INVENTING AB [SE/SE]; P.O. Box 602, S-661 29 Säffle (SE). (72) Inventor; and (75) Inventor/Applicant (for US only): LUNDBERG, Peter [SE/SE]; Brånasmedsgatan 5, S-662 33 Åmål (SE). (74) Agents: BJELKSTAM, Peter et al.; Kransell & Wennborg AB, P.O. Box 27834, S-115 93 Stockholm (SE).</p>	<p>(81) Designated States: CA, FI, JP, US, European patent (AT, BE, CH, DE, DK, ES, FR, GB, GR, IE, IT, LU, MC, NL, PT, SE). 2174775 Published <i>With international search report. In English translation (filed in Swedish).</i></p>	

(54) Title: IMPROVEMENTS IN OR RELATING TO A CONSISTENCY TRANSMITTER

(57) Abstract

The invention relates to concentration measurement transmitters, more specifically to an arrangement for a static, blade-type transmitter, which includes a blade (4) active in the medium to be measured and suspended by a spindle (5) such that shear force moment at the blade is translated via the spindle to a measurement converter (6) for determining fibre concentration in the medium, the converter preferably being situated in the transmitter housing (3), into which the spindle extends and is sealed against it with the aid of a lead-through (7). The latter includes a tube (9) either integral with, or rigidly, cohesively fixed to it and extending downwards to the free end portion of the spindle (5) carrying the blade (4), the spindle extending through the tube (9) with a clearance (8) enabling movement of the spindle necessary for the measurement converter (6) for a turning movement of the spindle (5) about a theoretical turning centre (10) substantially at the middle portion of the tube (9), to the free end portion of which tube the spindle is rigidly and sealingly fixed, whereby a seal in the lead-through (7) is obtained, which does not affect the shear force moment translated to the converter (6) and consequently not measurement accuracy either.



Improvements in or relating to a
consistency transmitter

5 The present invention relates to concentration measurement transmitters, more specifically to an arrangement for a static blade-type transmitter, which includes a blade active in the medium to be measured and suspended by a spindle, such that shear force moment at the blade is translated, via the spindle, to a measurement con-
10 verter for determining fibre concentration in the medium, this converter preferably being situated in the transmitter housing, into which the spindle also extends, and against which it is sealed with the aid of a lead-through included in the arrangement.

15 There are today several different main groups of devices for measuring concentration in fibre suspensions. One of these groups covers the so-called static blade-type concentration measurement transmitters, hereinafter denoted "blade transmitters". It is generally
20 considered that the transmitters of this group usually have a performance inferior to that of transmitters in the other groups. In the cellulose industry there are applications with different requirements, however, with
25 respective to such as measurement accuracy, repeatability, sensitivity to flow, temperature and pressure. Blade transmitters have consequently become established on the market as a relatively large group. Since they are given comparatively unqualified measurement tasks,
30 these transmitters have a low price level in relation to that for the other groups. In turn, this means that manufacturers are not able to justify technical solutions notably increasing the cost of existing devices. The result has been that the drawbacks always associat-
35 ed with blade transmitters still remain.

There are about ten different blade transmitter manufacturers supplying the world market at present. As mentioned above, it is generally recognized that these transmitters have lower performance than is to be found in transmitters from the other groups. In most cases users accept this situation, since the transmitters are selected for less demanding applications, and have a comparatively low price. However, breakdowns occurring too frequently and costing expensive production interruptions cannot be tolerated. In this respect users demand useful life spans comparable with those for transmitters in the higher price ranges. Large sensitivity to pressure and temperature are also factors only very reluctantly accepted by users.

The majority of defects in blade transmitters, leading to breakdowns and possible production losses, are those that can be traced to the arrangement permitting the spindle to enter the transmitter housing while isolating the dry housing interior from the wet medium being measured. This arrangement is generally denoted "lead-through" hereinafter. Some form of seal must be provided between these two environments, while the shear force moment, inter alia varying as the concentration of the fibre suspension acting on the blade, must be translated to a measurement converter in such a way that measurement accuracy is not degraded. On the accompanying drawings Figs. 1 and 2 illustrate conventional methods of arranging the lead-through. The latter figure depicts a relatively recent implementation, but if the lead-through itself is examined it will be understood that no technical advance has been made for the last twenty years.

The known implementation in Fig. 1 illustrates the most usual lead-through. Without exception it is also pro-

vided with a bearing means, inter alia for taking up axial forces. The sealing element consists of a ring made from an elastomer suitable for the purpose. Correctly implemented, this element is not sensitive to pressure. On the other hand, it is often sensitive to temperature, since the elasticity of the elastomer varies with temperature, and the transmitters are implemented using the weighing balance principle. As will be understood, this means that the measuring principle cannot compensate for variations of the kind mentioned, nor for ageing of the elastomer in question. Due to the relatively aggressive environment fluorene rubber elastomers are often selected, which causes a special problem, i.e. hysteresis, which unfortunately is often inherent in high-quality elastomer types. Leads-through of this type require some form of damping, otherwise the noise level would be too great. In some cases this problem has been solved by a silicon-filled damping means disposed on the "dry" side of the lead-through. When such a system breaks down, which happens relatively often, it gives the user much trouble, although emergency operation of a transmitter with this kind of lead-through is relatively good, since possible leakage is relatively slow as a rule, thus affording a longer time for counteraction.

The known implementation of Fig. 2 is the latest addition to embodiments intended to solve the problems arising at the passage of the spindle into the housing. A strong diaphragm has been introduced for ensuring the sealing function. It has also been understood that sensing means cannot be placed on the diaphragm, as with other known structures, but in a way that eliminates the effect of rapid temperature variations as far as possible. A correct selection of measurement converter should be satisfactory in this case. However, what has not been taken into consideration is the

23038-100

4

effect of pressure. In previously known implementations of diaphragm type, the latter will vary its stiffness for a change in pressure, and either increase or decrease the movement achieved by the shear force moments, depending on whether pressure increases or decreases. It should be pointed out that diaphragm structures of the strong type discussed here are really most suitably used in combination with a wire strain gauge, and correctly applied, may constitute high-resolution measurement converters.

Dependence on temperature gradient and pressure will be very difficult to master in any case. The implementation according to this method of solving the problems involved is therefore a compromise at the expense of the sensitivity to shear force variations of the transmitter. The measurement converter in the case in questions is of the inductive type, and requires much larger movement to give a maximum output signal than what is required by a wire strain gauge.

The object of the present invention is to provide an arrangement for a transmitter of the kind mentioned in the introduction, where the drawbacks inherent in the known transmitters have been completely eliminated. Contrary to at least one of the implementations just described, the inventive implementation does not have any movable parts, thus minimizing breakdowns caused by wear. A thin, very flexible diaphragm type has been avoided for reasons connected with resistance to pressure. All diaphragm structures cause large problems due to their sensitivity to pressure. When the structure is made more robust for reducing the effect of pressure, this is done at the expense of sensitivity and measurement accuracy.

According to a broad aspect, the invention provides arrangement in static concentration measurement

23038-100

4a

transmitters, more specifically an arrangement for a static, blade-type transmitter, which includes a blade active in the medium to be measured and suspended by a spindle such that shear force moment at said blade is translated via said spindle to a measurement converter for determining fibre concentration in said medium, said converter preferably being situated in a housing of said transmitter, into which housing said spindle extends and is sealed against it with the aid of a lead-through included in said arrangement, characterized in that said lead-through includes a tube integral with the housing and extending towards a free end portion of the spindle carrying the blade, the spindle extending through the tube with a clearance enabling movement of the spindle necessary for the measurement converter for a turning movement of the spindle about a theoretical turning centre substantially at the middle portion of the tube, to the free end portion of which tube the spindle is rigidly and sealingly fixed, whereby a seal in the lead-through is obtained, which does not affect the shear force moment translated to the measurement converter and consequently not measurement accuracy either.

According to another broad aspect, the invention provides arrangement in static concentration measurement transmitters, more specifically an arrangement for a static, blade-type transmitter, which includes a blade active in the medium to be measured and suspended by a spindle such that shear force moment at said blade is translated via said spindle to a measurement converter for determining fibre concentration in said medium, said converter preferably being situated in a housing of said transmitter, into which housing said spindle extends and is sealed against it with the aid of a lead-through included in said arrangement, characterized in that said lead-through includes a tube

23038-100

4b

rigidly, cohesively fixed to the housing and extending towards a free end portion of the spindle carrying the blade, the spindle extending through the tube with a clearance enabling movement of the spindle necessary for the measurement converter for a turning movement of the spindle about a theoretical turning centre substantially at the middle portion of the tube, to the free end portion of which tube the spindle is rigidly and sealingly fixed, whereby a seal in the lead-through is obtained, which does not affect the shear force moment translated to the measurement converter and consequently not measurement accuracy either.

According to a further broad aspect, the invention provides arrangement in static concentration measurement transmitters, more specifically an arrangement for a static, blade-type transmitter, which includes a blade active in the medium to be measured and suspended by a spindle such that shear force moment at said blade is translated via said spindle to a measurement converter for determining fibre concentration in said medium, said converter preferably being situated in a housing of said transmitter, into which housing said spindle extends and is sealed against it with the aid of a lead-through included in said arrangement, characterized in that said lead-through includes a tube integral with the housing and extending towards a free end portion of the spindle carrying the blade, the spindle extending through the tube with a clearance enabling movement of the spindle necessary for the measurement converter for a bending movement of the spindle about a theoretical turning centre substantially at the middle portion of the tube, to the free end portion of which tube the spindle is rigidly and sealingly fixed, whereby a seal in the lead-through is obtained, which does not affect the

23038-100

4c

shear force moment translated to the measurement converter and consequently not measurement accuracy either.

According to a still further broad aspect, the invention provides arrangement in static concentration measurement transmitters, more specifically an arrangement for a static, blade-type transmitter, which includes a blade active in the medium to be measured and suspended by a spindle such that shear force moment at said blade is translated via said spindle to a measurement converter for determining fibre concentration in said medium, said converter preferably being situated in a housing of said transmitter, into which housing said spindle extends and is sealed against it with the aid of a lead-through included in said arrangement, characterized in that said lead-through includes a tube rigidly, cohesively fixed to the housing and extending towards a free end portion of the spindle carrying the blade, the spindle extending through the tube with a clearance enabling movement of the spindle necessary for the measurement converter for a bending movement of the spindle about a theoretical turning centre substantially at the middle portion of the tube, to the free end portion of which tube the spindle is rigidly and sealingly fixed, whereby a seal in the lead-through is obtained, which does not affect the shear force moment translated to the measurement converter and consequently not measurement accuracy either.

Due to the invention, there has now been achieved an arrangement in transmitters, which meets its purpose in an excellent manner, while at the same time it has low manufacturing costs, well in agreement with those for the implementations already discussed. In accordance with the invention, the diaphragm has been substituted by a tube, dimensioned such that requisite movement is translated to the measurement converter, even for the least amount of shear force moment. Since the tube can take up large axial forces with negligible change in shape, sensitivity to pressure will also be negligible. Transmitters of this type are often dimensioned for a maximum pressure of 10 bar for the medium to be measured, but should temporarily withstand about 25 bar. From a first impression, there is the temptation to assume that a tube of the slender configuration required to obtain at its free end a movement sufficient to provide movement necessary for the transmitter would collapse at relatively low pressure. However, physical property calculations show that the tube will easily withstand 100 bar. Since the spindle is rigidly fixed at the "wet" end of the tube, e.g. by welding, there is achieved that the spindle acts for mechanical reinforcement of the movement, a contribution to which is made by the theoretical turning centre of the movement being at the centre of the slender part of the tube.

The invention will now be described in more detail, and with reference to the accompanying drawings where:

Fig. 1 schematically illustrates in a cross-sectional view a known blade transmitter according to a configuration having the most usual lead-through for the spindle,

Fig. 2 similarly illustrates another known configuration, which is the latest addition to measures

for solving spindle lead-through problems, and

5 Fig. 3 is a schematic cross-section of a blade trans-
mitter illustrating a preferred arrangement of
the lead-through according to the present
invention.

10 As will be seen in detail from Fig. 3, the arrangement
in accordance with the invention includes a spindle 5,
at its lower end connected to a blade 4 working in a
medium 1 flowing in a pipe 2, on which the housing 3 is
mounted in a suitable opening. Via the spindle 5, the
15 blade 4 is intended to translate shear force moments,
caused by the medium 1 flowing past the blade 4, to a
measurement converter 6, disposed in the housing 6 and
intended for determining fibre concentration in the
medium in question.

20 The spindle 5 extends into the housing 3, and is sealed
against it by a lead-through 7 included in the inven-
tive arrangement. The lead-through 7 includes a thin-
walled tube 9 downwardly extending from the housing 3
towards the bottom end portion of spindle 5 carrying
25 the blade 4. In the illustrated embodiment the tube 9
is formed integral with the housing 3, which is fabri-
cated from metal in this case. The spindle may alterna-
tively be welded to, or otherwise rigidly fixed to the
housing 3, with the prerequisite that there is no break
30 in cohesion between the parts.

The spindle 5 extends through the tube 9 with clearance
8 enabling the translation of movement from the blade 4
to the converter 6. The tube 9 is also dimensioned so
35 that even small shear force values are registrable at
the converter 6. A theoretical turning centre 10 occurs
at the middle of the tube 9 on translation of a shear

force moment via the spindle 5. The latter is rigidly fixed and sealed at the bottom portion of the tube 9, the lead-through 7 thus being provided with a seal that does not affect the moment translated to the converter 6, also signifying that measurement accuracy is not affected either.

Possible temperature gradients occurring as the result of rapid temperature variations with consequential variations in longitudinal expansion in the different parts of the structure do not affect the converter 6, assuming that a type suitable for the purpose has been selected. Only axial differences occur, and a correctly disposed converter, e.g. of differential capacitor or differential transformer type, will be insensitive to them.

Common to transmitters in the group discussed here is a tendency to be relatively sensitive to mechanical loading, which occurs when objects entrained in the medium flow impinge on the blade, these objects not being desired in the process. For at least partially protecting parts of the structure from damage a barrier means 12 is provided, this being a customary measure. In accordance with the invention the arrangement also includes at least one pair of diametrically opposed excess load protectors 11, but in a preferred embodiment four pairs are used, and they can be placed at 45° to the medium flow so that the greatest number of them participate in the intended protection against exceptional forces, irrespective of the direction taken by these undesired forces.

In summary, the invention provides a high-resolution transmitter that is not sensitive to temperature and pressure, while the risk for leakage in it has been eliminated. Furthermore, since the arrangement is not

2174775

WO 96/16322

PCT/SE95/01395

8

sealed against the medium by using movable seals with elastomers or the like, any deleterious effect over extended time periods due to ageing materials is averted.

23038-100

9

CLAIMS:

1. Arrangement in static concentration measurement transmitters, more specifically an arrangement for a static, blade-type transmitter, which includes a blade active in the medium to be measured and suspended by a spindle such that shear force moment at said blade is translated via said spindle to a measurement converter for determining fibre concentration in said medium, said converter preferably being situated in a housing of said transmitter, into which housing said spindle extends and is sealed against it with the aid of a lead-through included in said arrangement, characterized in that said lead-through includes a tube integral with the housing and extending towards a free end portion of the spindle carrying the blade, the spindle extending through the tube with a clearance enabling movement of the spindle necessary for the measurement converter for a turning movement of the spindle about a theoretical turning centre substantially at the middle portion of the tube, to the free end portion of which tube the spindle is rigidly and sealingly fixed, whereby a seal in the lead-through is obtained, which does not affect the shear force moment translated to the measurement converter and consequently not measurement accuracy either.

2. Arrangement in static concentration measurement transmitters, more specifically an arrangement for a static, blade-type transmitter, which includes a blade active in the medium to be measured and suspended by a spindle such that shear force moment at said blade is translated via said spindle to a measurement converter for determining fibre concentration in said medium, said converter preferably being situated in a housing of said transmitter, into which housing said spindle extends and is sealed against it with

23038-100

10

the aid of a lead-through included in said arrangement, characterized in that said lead-through includes a tube rigidly, cohesively fixed to the housing and extending towards a free end portion of the spindle carrying the blade, the spindle extending through the tube with a clearance enabling movement of the spindle necessary for the measurement converter for a turning movement of the spindle about a theoretical turning centre substantially at the middle portion of the tube, to the free end portion of which tube the spindle is rigidly and sealingly fixed, whereby a seal in the lead-through is obtained, which does not affect the shear force moment translated to the measurement converter and consequently not measurement accuracy either.

3. Arrangement in static concentration measurement transmitters, more specifically an arrangement for a static, blade-type transmitter, which includes a blade active in the medium to be measured and suspended by a spindle such that shear force moment at said blade is translated via said spindle to a measurement converter for determining fibre concentration in said medium, said converter preferably being situated in a housing of said transmitter, into which housing said spindle extends and is sealed against it with the aid of a lead-through included in said arrangement, characterized in that said lead-through includes a tube integral with the housing and extending towards a free end portion of the spindle carrying the blade, the spindle extending through the tube with a clearance enabling movement of the spindle necessary for the measurement converter for a bending movement of the spindle about a theoretical turning centre substantially at the middle portion of the tube, to the free end portion of which tube the spindle is rigidly and sealingly fixed, whereby a seal in the lead-through is obtained, which does not affect the

23038-100

11

shear force moment translated to the measurement converter and consequently not measurement accuracy either.

4. Arrangement in static concentration measurement transmitters, more specifically an arrangement for a static, blade-type transmitter, which includes a blade active in the medium to be measured and suspended by a spindle such that shear force moment at said blade is translated via said spindle to a measurement converter for determining fibre concentration in said medium, said converter preferably being situated in a housing of said transmitter, into which housing said spindle extends and is sealed against it with the aid of a lead-through included in said arrangement, characterized in that said lead-through includes a tube rigidly, cohesively fixed to the housing and extending towards a free end portion of the spindle carrying the blade, the spindle extending through the tube with a clearance enabling movement of the spindle necessary for the measurement converter for a bending movement of the spindle about a theoretical turning centre substantially at the middle portion of the tube, to the free end portion of which tube the spindle is rigidly and sealingly fixed, whereby a seal in the lead-through is obtained, which does not affect the shear force moment translated to the measurement converter and consequently not measurement accuracy either.

5. Arrangement as claimed in any one of claims 1 to 4, characterized in that at least one pair of diametrically opposed excess load protectors on either side of the spindle is placed a distance from the theoretical turning centre such as to take up large, mechanical loads that may be transferred from the blade.

1/2

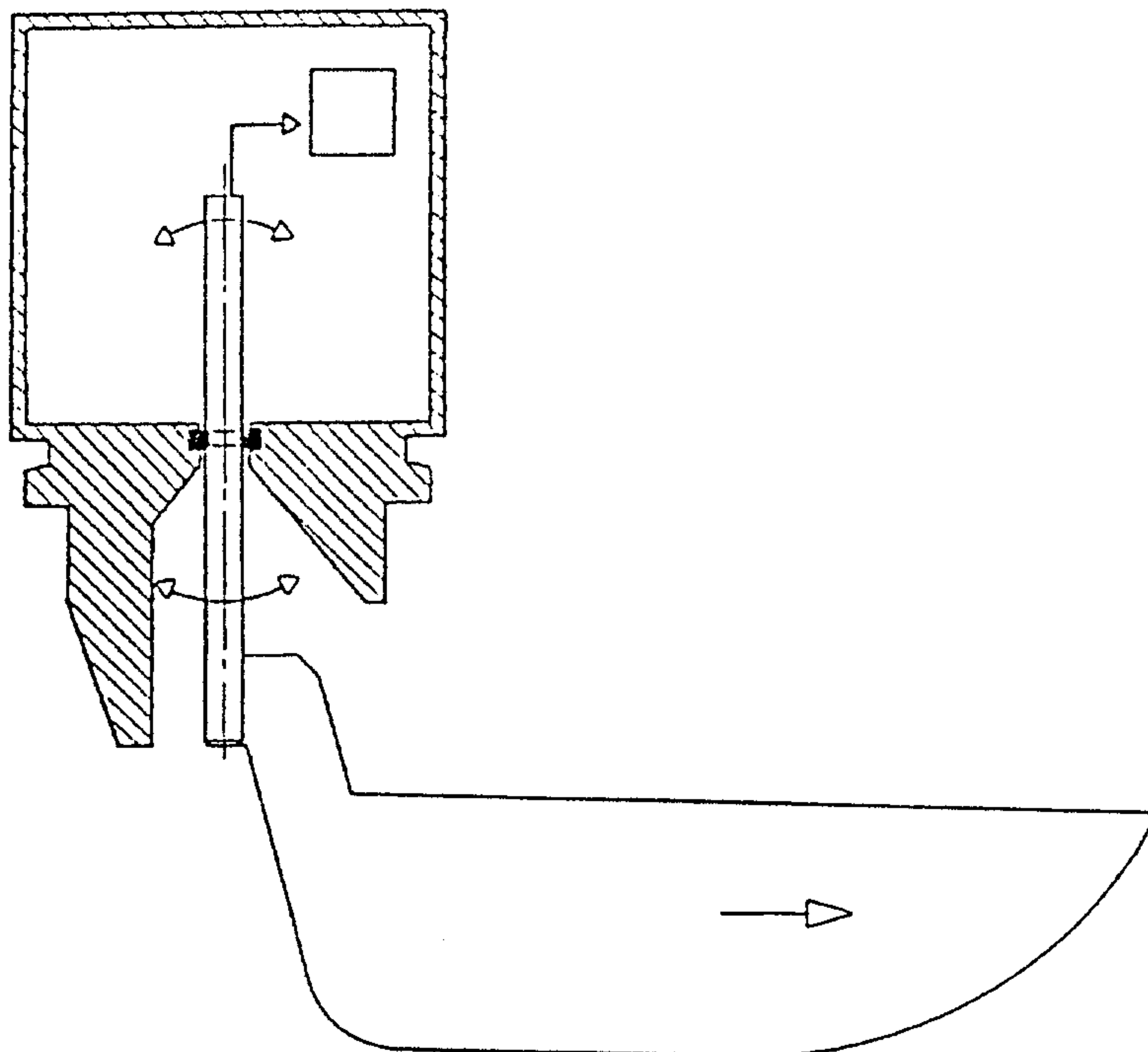


Fig. 1
(Prior Art)

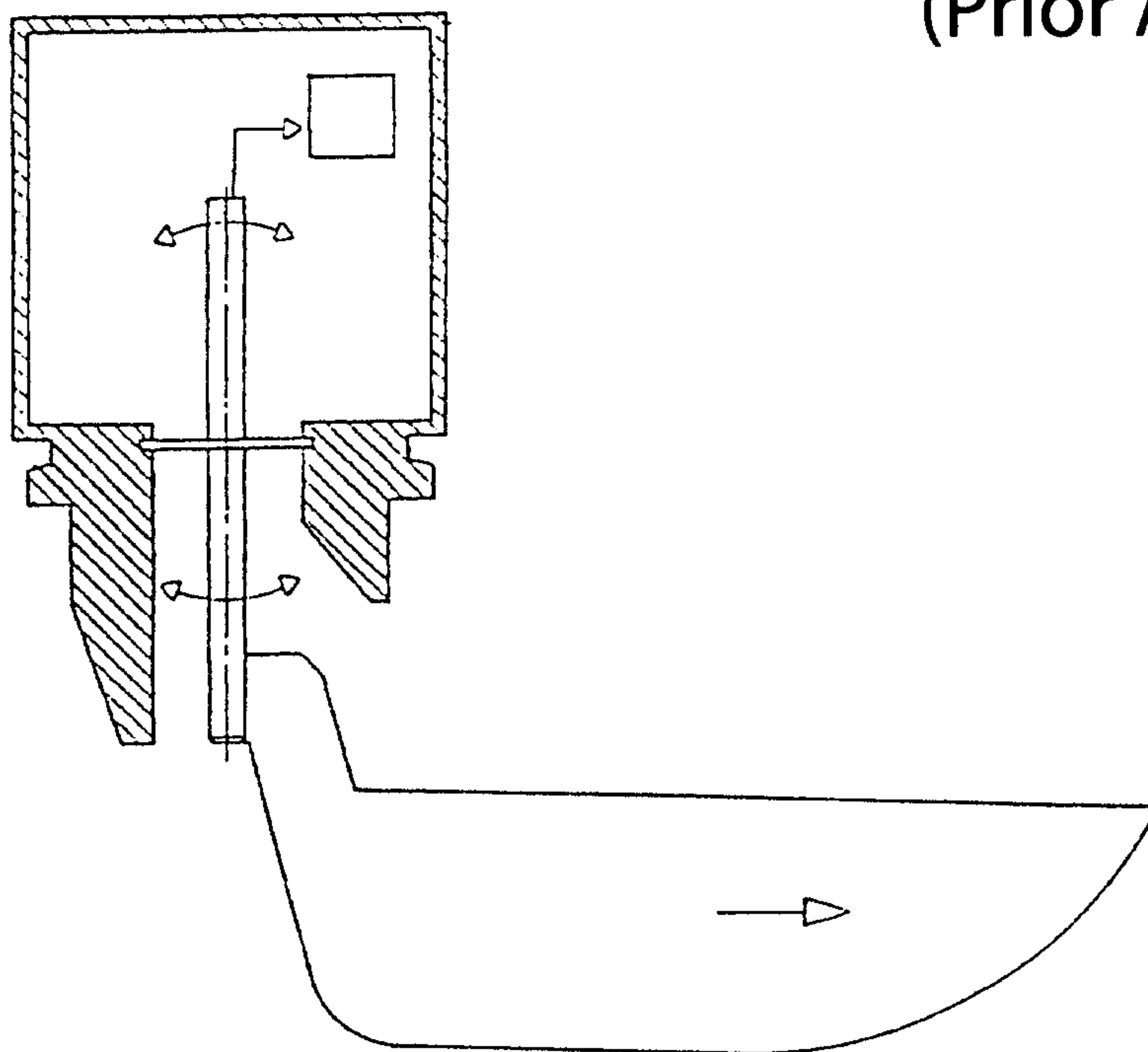


Fig. 2
(Prior Art)

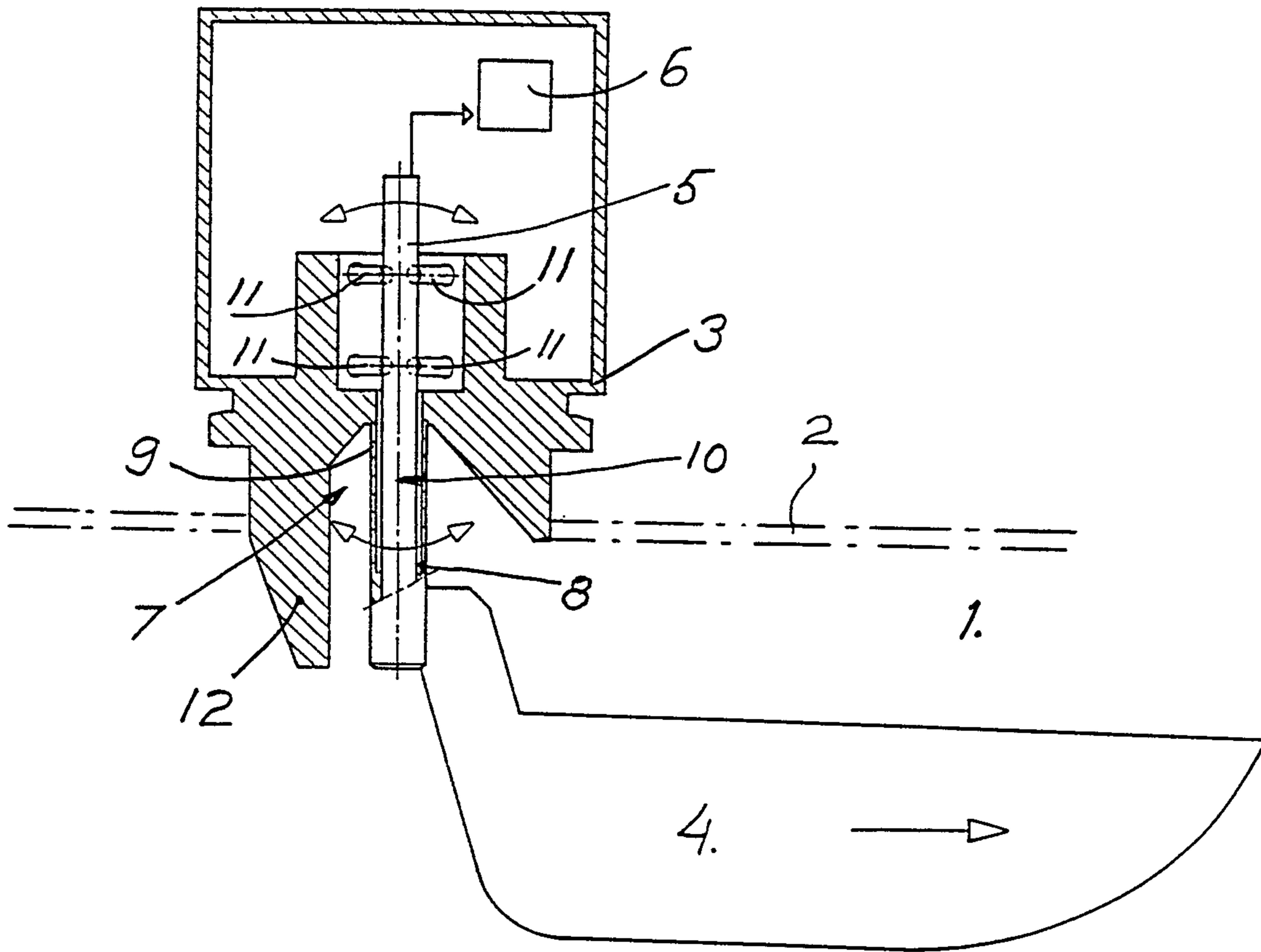


Fig. 3

