



US00D724737S

(12) **United States Design Patent**
Kawamura et al.

(10) **Patent No.:** **US D724,737 S**

(45) **Date of Patent:** **** Mar. 17, 2015**

(54) **MEDICAL ULTRASOUND EQUIPMENT**

(71) Applicant: **Konica Minolta, Inc.**, Chiyoda-ku (JP)

(72) Inventors: **Tooru Kawamura**, Kishiwada (JP);
Tomohiko Hirata, Chuo-ku (JP); **Yu Kawashima**, Minato-ku (JP)

(73) Assignee: **Konica Minolta, Inc.**, Chiyoda-Ku,
Tokyo (JP)

(**) Term: **14 Years**

(21) Appl. No.: **29/484,667**

(22) Filed: **Mar. 12, 2014**

(30) **Foreign Application Priority Data**

Sep. 13, 2013 (JP) D2013-021270

(51) **LOC (10) Cl.** **24-01**

(52) **U.S. Cl.**
USPC **D24/158**; D24/160

(58) **Field of Classification Search**
USPC D24/158-161, 185, 186; 606/32-34;
600/437, 443; 248/282.1; D14/315,
D14/318, 328

See application file for complete search history.

(56) **References Cited**

U.S. PATENT DOCUMENTS

D509,900 S * 9/2005 Barnes et al. D24/160
D550,366 S * 9/2007 Zhou et al. D24/186
D560,280 S * 1/2008 Skwarek et al. D24/186

D607,105 S * 12/2009 Otoha et al. D24/158
D637,291 S * 5/2011 Wu et al. D24/158
D683,033 S * 5/2013 Yoshida et al. D24/186
D697,211 S * 1/2014 Ninomiya et al. D24/158
2013/0261447 A1 * 10/2013 Tashiro 600/437

FOREIGN PATENT DOCUMENTS

JP D1370350 S 10/2009
JP D1342572 10/2011

* cited by examiner

Primary Examiner — Anhdao Doan

(74) *Attorney, Agent, or Firm* — Buchanan Ingersoll & Rooney PC

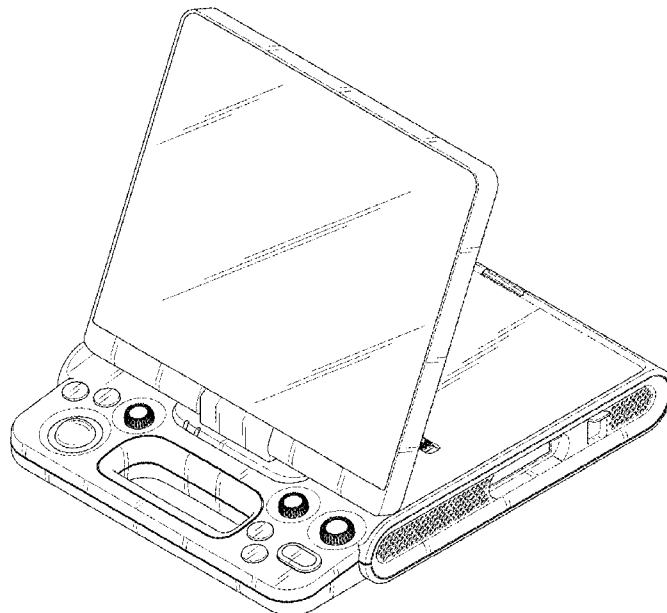
(57) **CLAIM**

The ornamental design for a medical ultrasound equipment, as shown and described.

DESCRIPTION

FIG. 1 is a first perspective view of a medical ultrasound equipment;
FIG. 2 is a second perspective view thereof;
FIG. 3 is a front view thereof;
FIG. 4 is a rear view thereof;
FIG. 5 is a left side view thereof;
FIG. 6 is a right side view thereof;
FIG. 7 is a top view thereof;
FIG. 8 is a bottom view thereof;
FIG. 9 is a perspective view showing a condition of being closed thereof; and,
FIG. 10 is a perspective view showing a condition of rotation thereof.

1 Claim, 10 Drawing Sheets



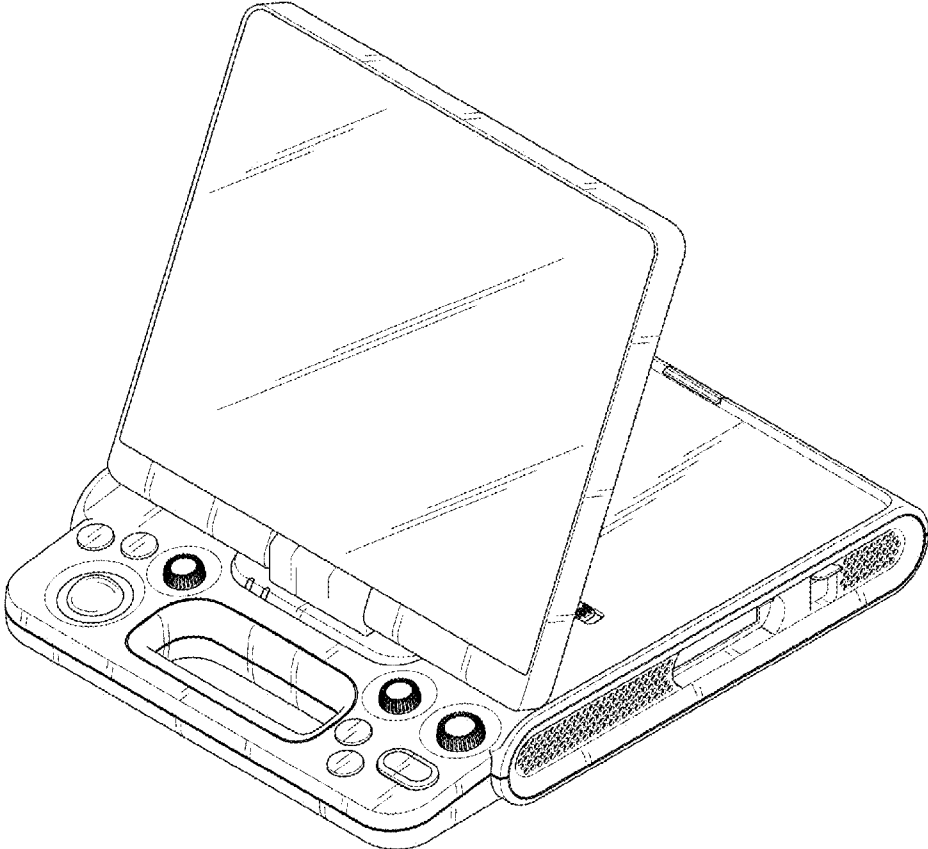


FIG.1

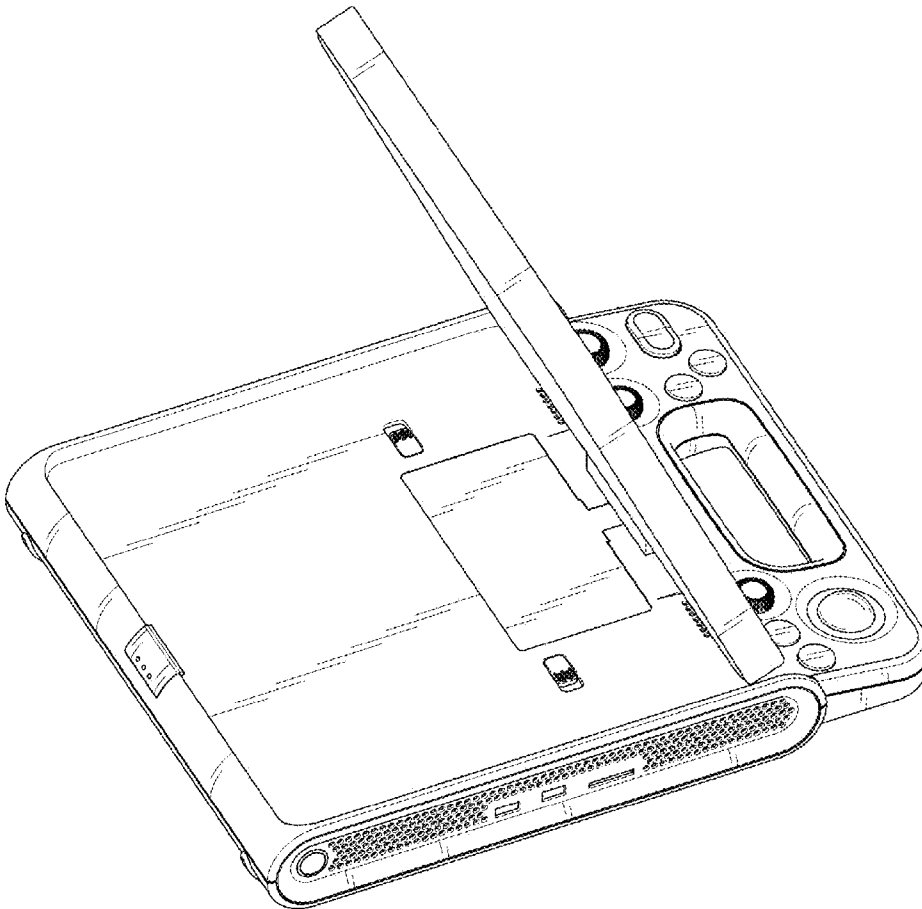


FIG.2

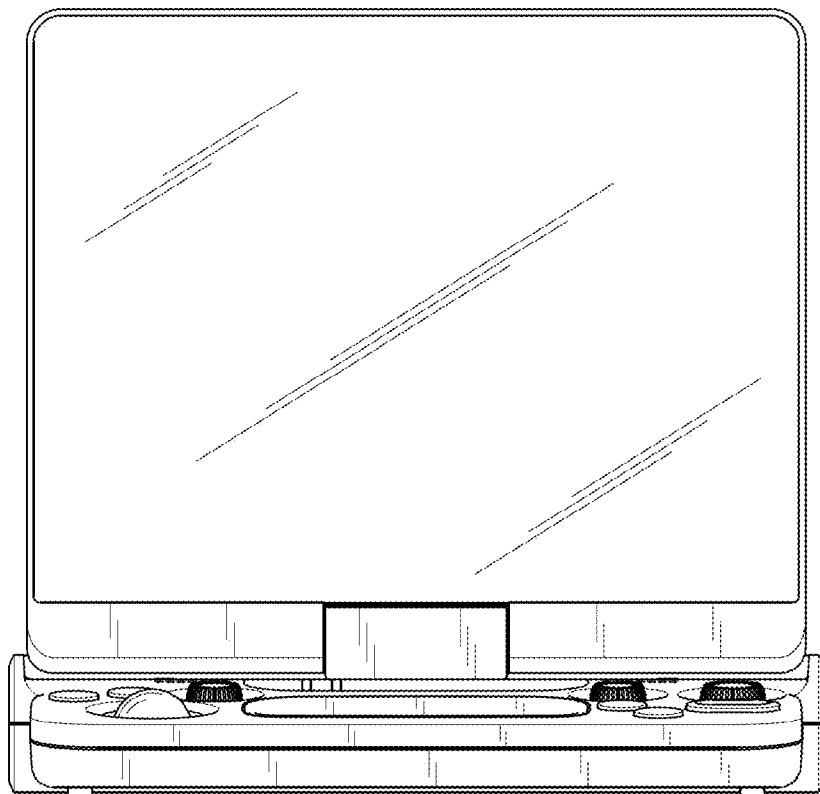


FIG.3

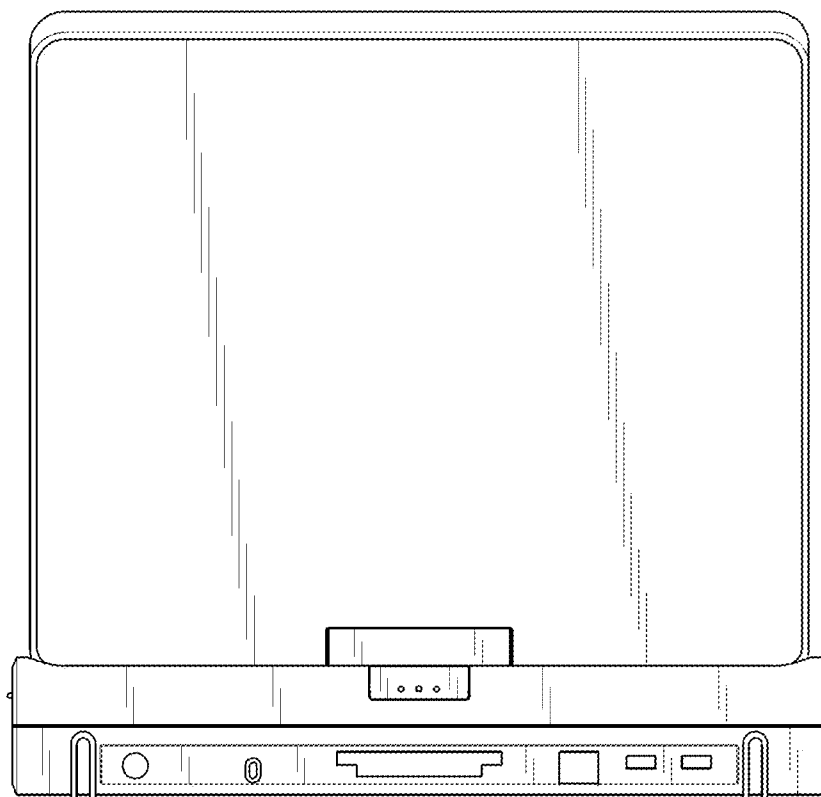


FIG.4

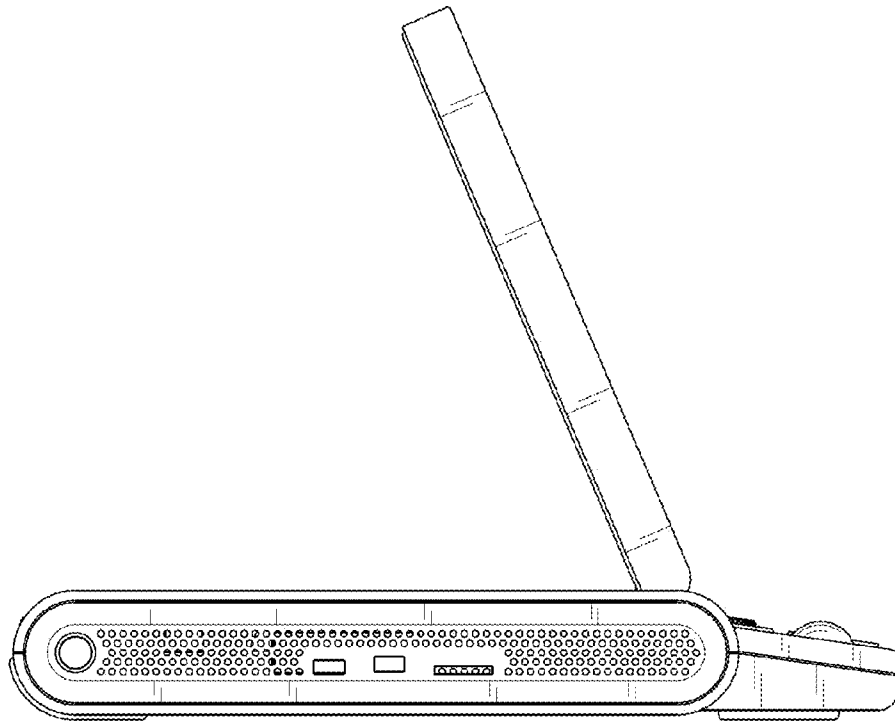


FIG.5

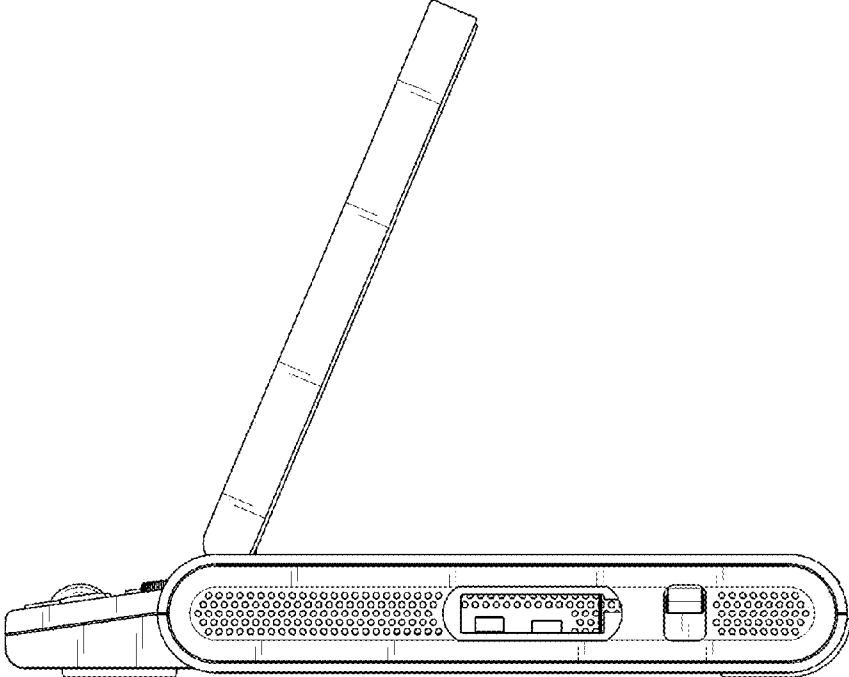


FIG.6

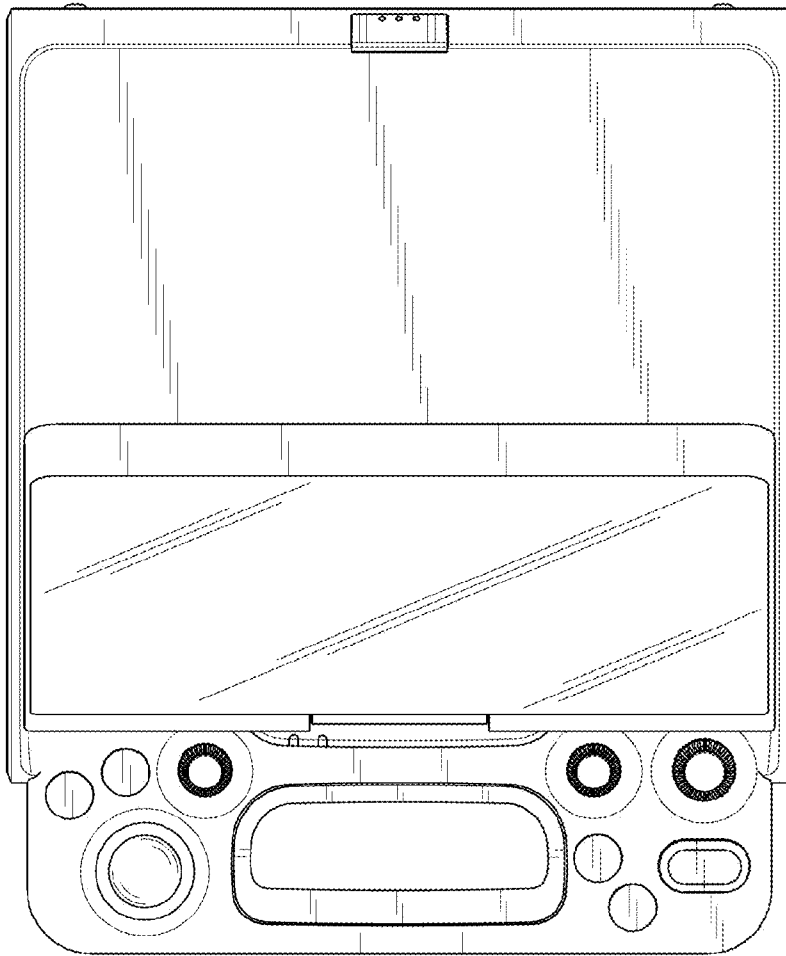


FIG.7

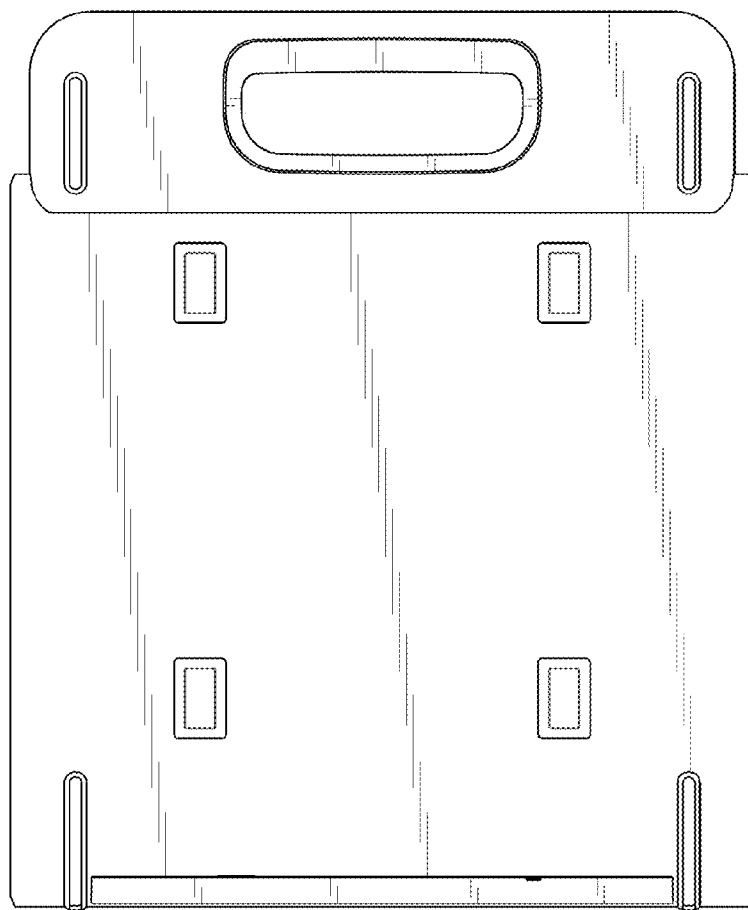


FIG.8

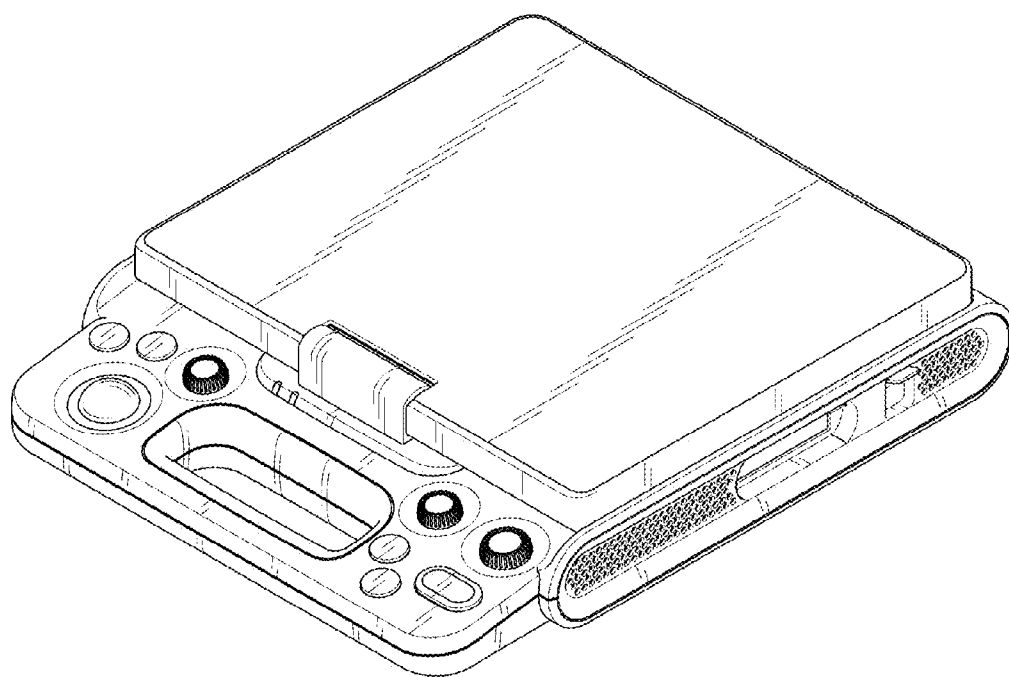


FIG.9

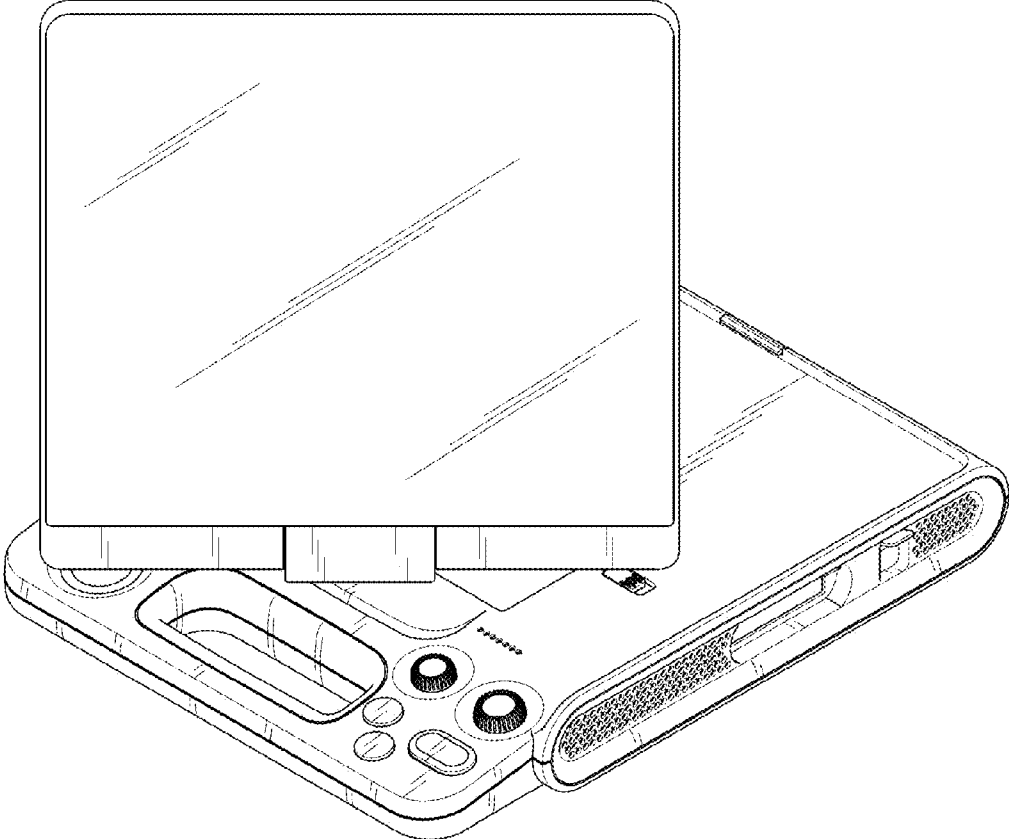


FIG.10